



## Float switch 205KS

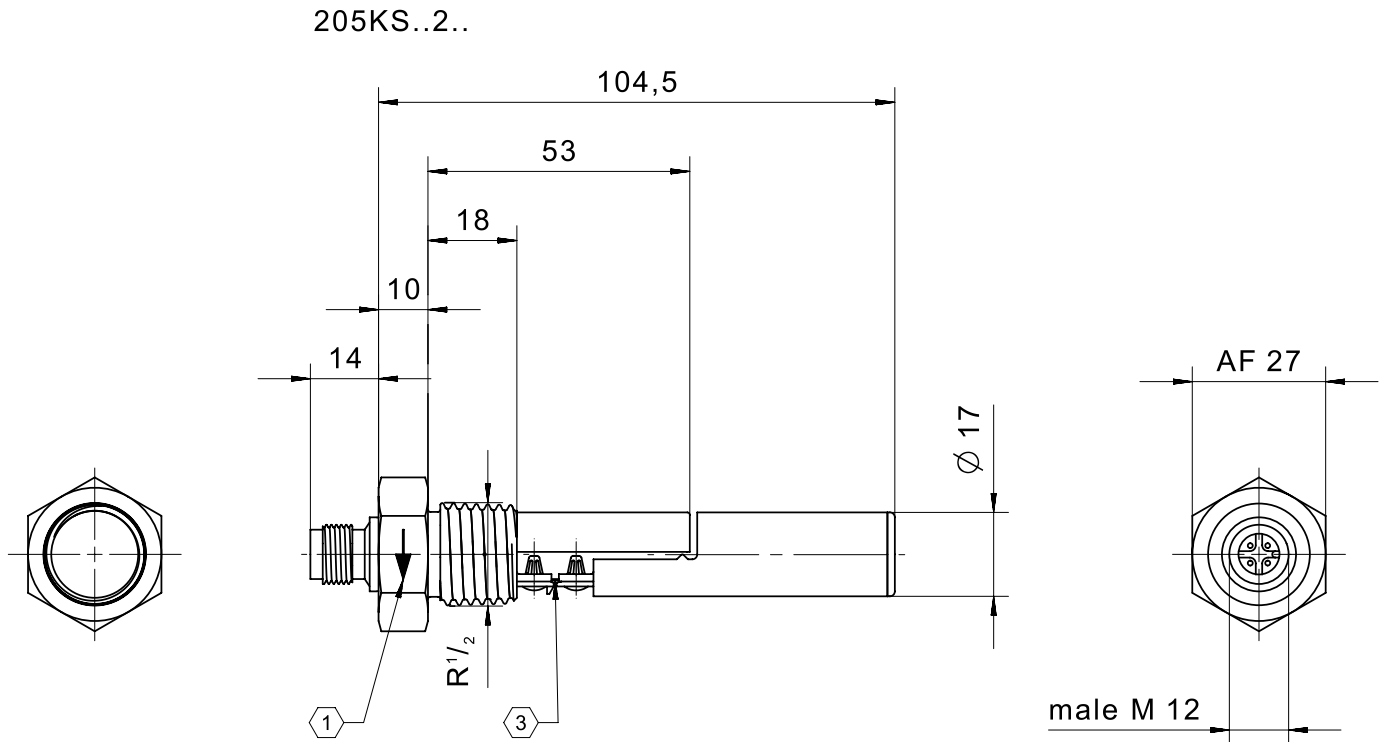
The float switch side mount 205KS with Teflon hinge is ideal for use in media that has a tendency to clump or contains contaminants that need to be monitored. It is available with two different mounting options, so ideal for use in a range of applications and industries, eg the detection of fluid levels in water treatment containers, mechanical engineering and plant construction. The float switch also has a specially designed compression grommet which allows it to be installed from the outside. The switching function is reversible by simply rotating the float switch, making this a highly flexible and cost-effective solution.

### Product characteristics

- Level detection on reed-contact basis
- Teflon hinge for use in high-viscosity or contaminated media
- Material: PP or PVDF
- Mounting options: G 1/2 thread or compression grommet
- Available connection types: cable outlet, M12 connector or pigtail
- Contact form: N.O., N.C. or changeover
- Temperature range from -25 °C to +105 °C
- Switching voltage up to max. 250V
- IP67 protection class

Technical drawing

IMAGE 1/9



① marking for mounting position

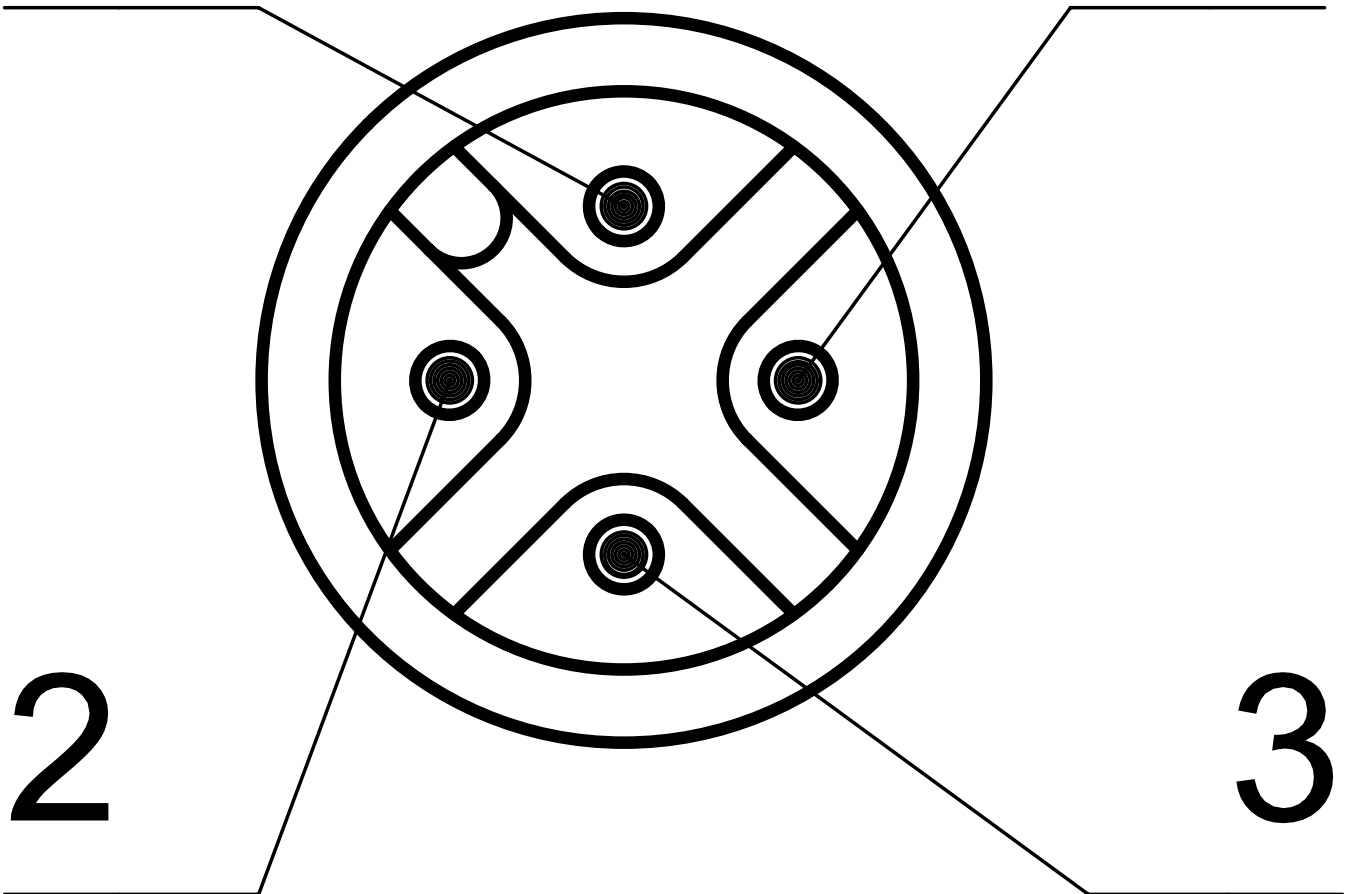
③ hinge made from PTFE

IMAGE 2/9

# male M12

1

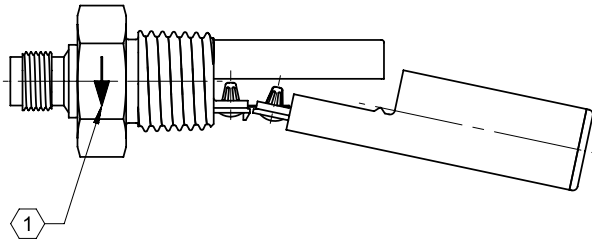
4



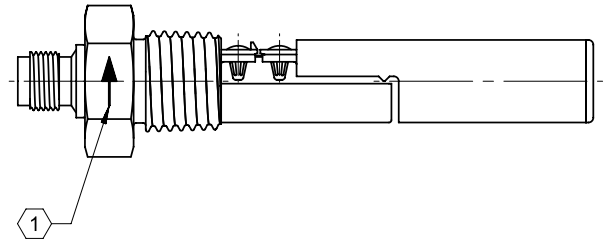
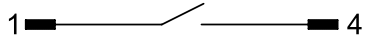
2

3

IMAGE 3/9



205KS0.2.....  
205KS1.2.....



205KS0.2.....  
205KS1.2.....

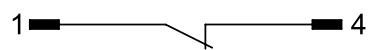
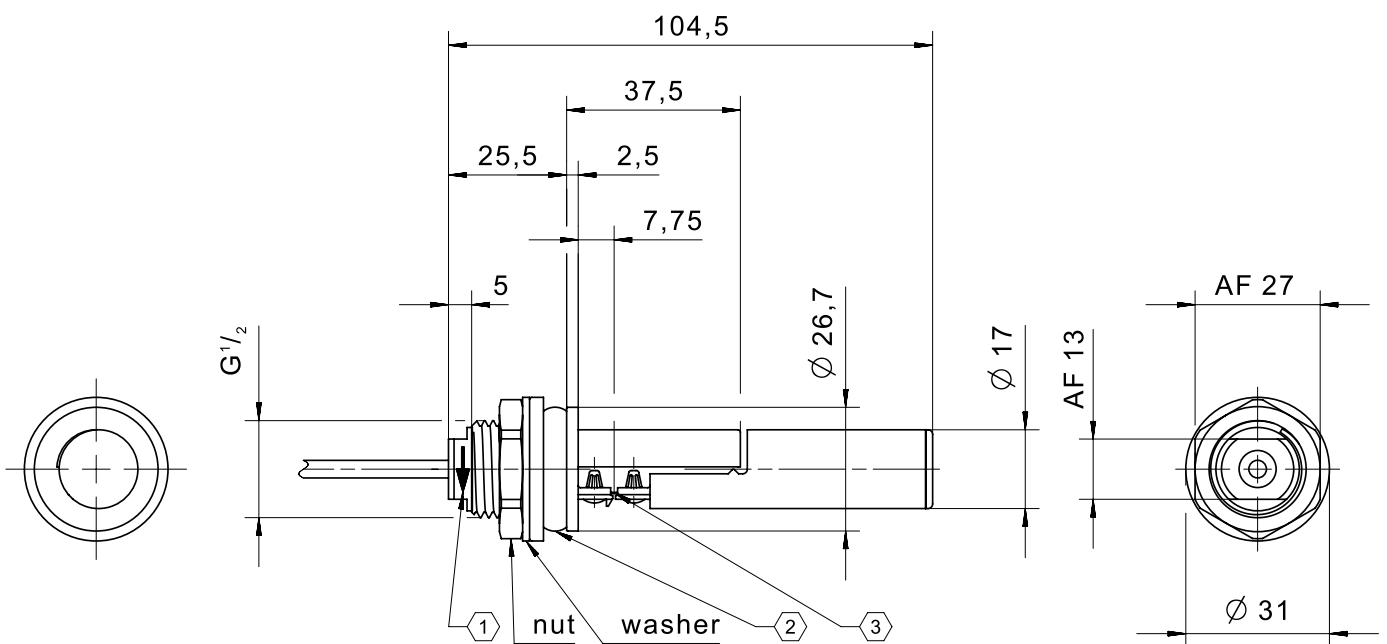


IMAGE 4/9

205KS..D..



- ① marking for mounting position
- ② compression grommet for maximum wall thickness 3 and hole  $\varnothing 27$  till  $\varnothing 28$
- ③ hinge made from PTFE

IMAGE 5/9

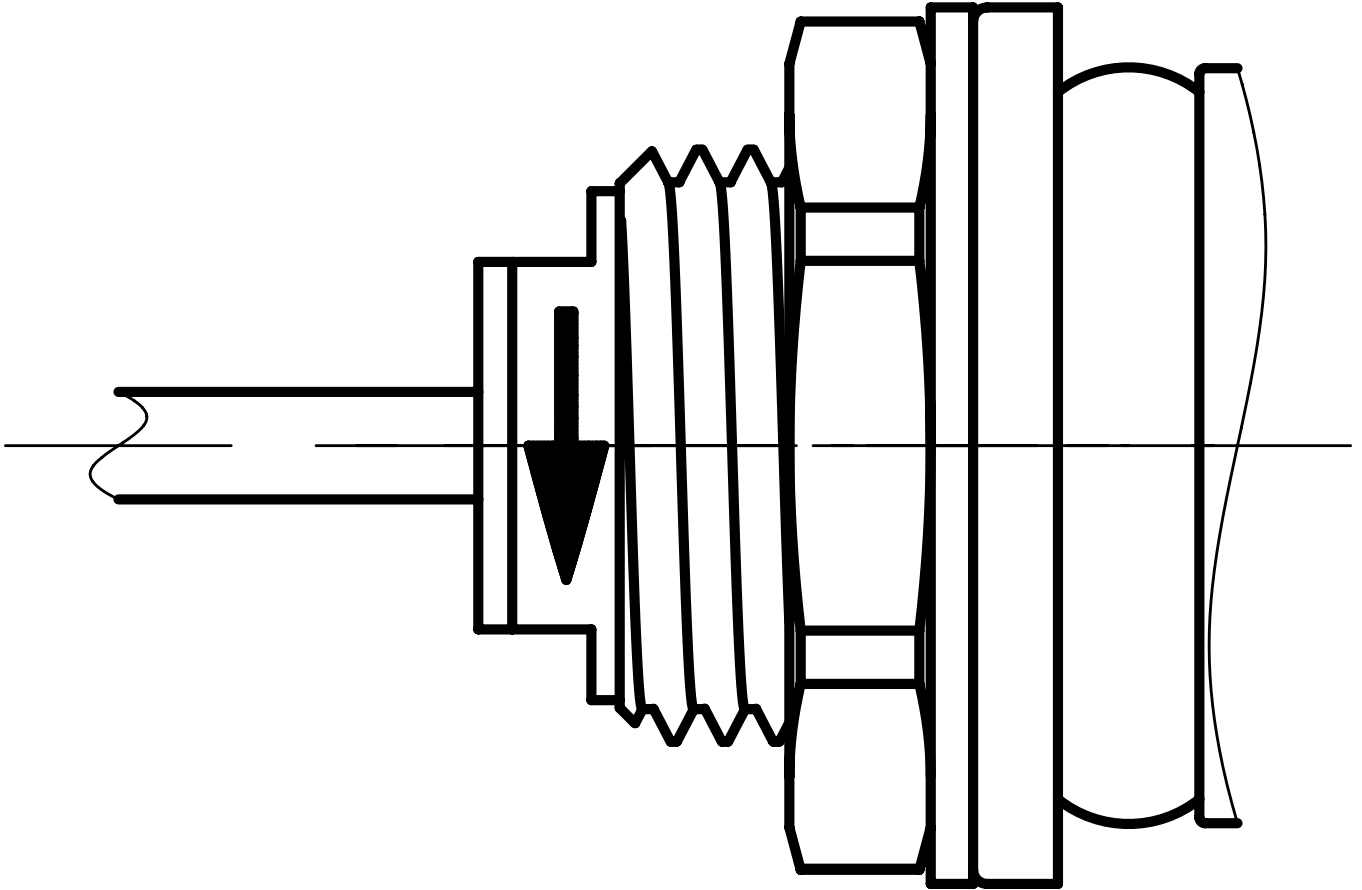
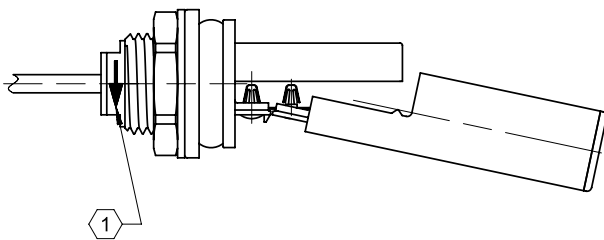


IMAGE 6/9

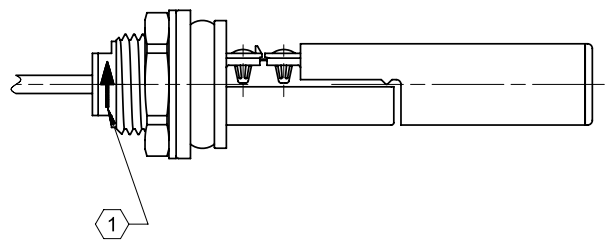


205KS0.D.....  
205KS1.D.....

BN ———— / ———— WH

205KS2.D.....

BN ———— / ———— GN  
                  / ———— WH



205KS0.D.....  
205KS1.D.....

BN ———— / ———— WH

205KS2.D.....

BN ———— / ———— GN  
                  / ———— WH

IMAGE 7/9

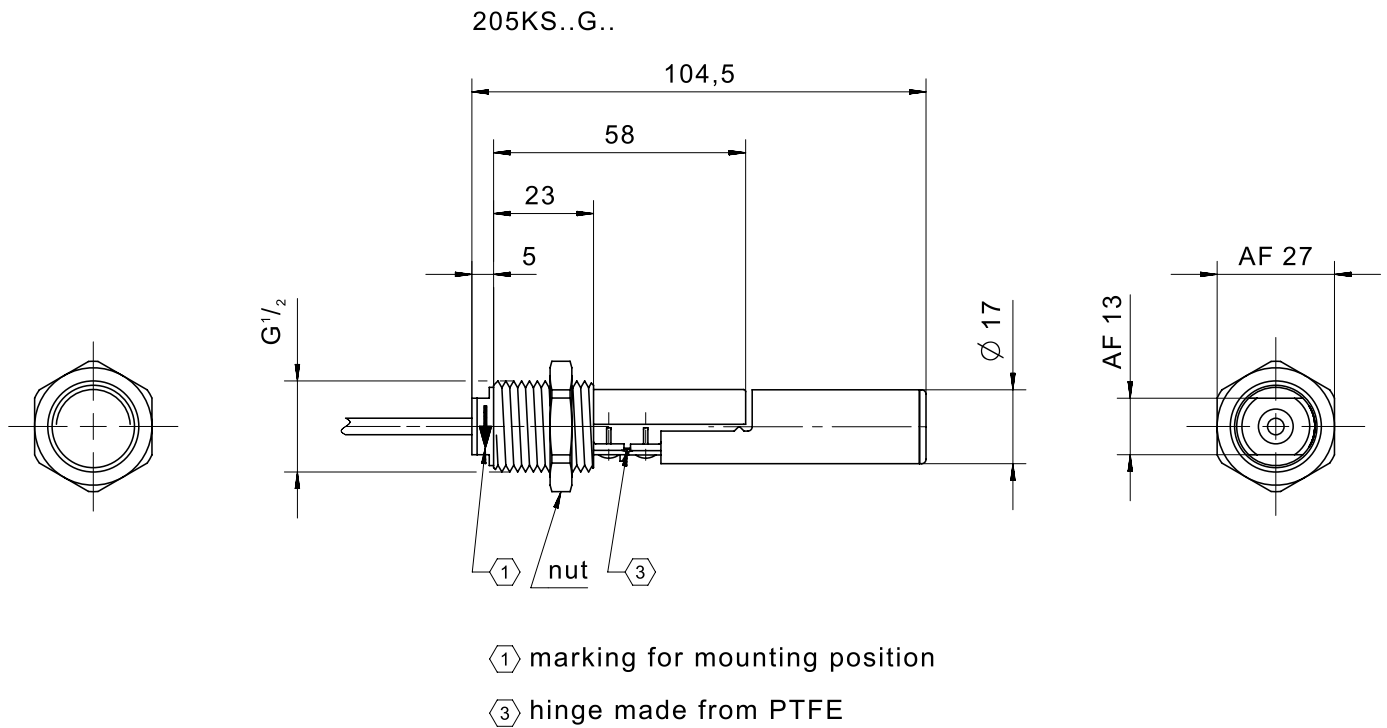


IMAGE 8/9

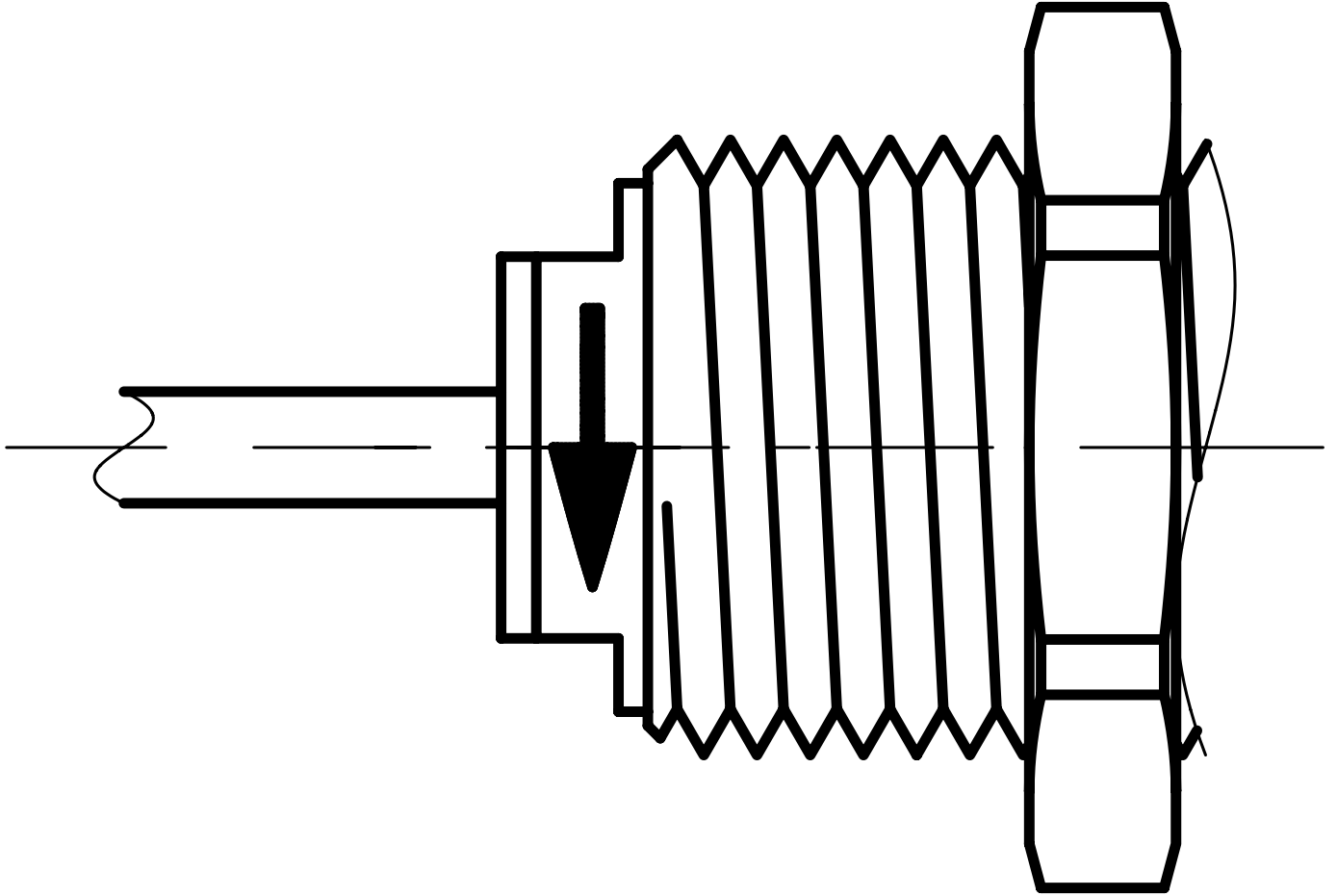
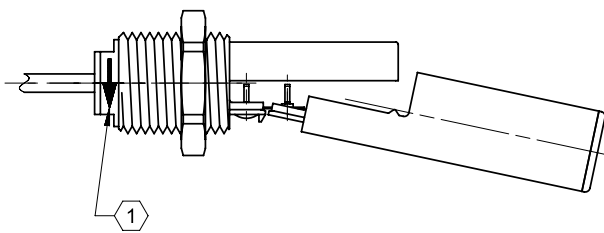


IMAGE 9/9

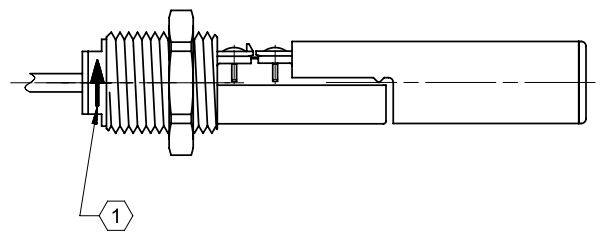


205KS0.G.....  
205KS1.G.....

BN ———— WH

205KS2.G.....

BN ———— GN  
                  WH



205KS0.G.....  
205KS1.G.....

BN ———— WH

205KS2.G.....

BN ———— GN  
                  WH

## Product options

IMAGE 1/1

### ORDERING KEY

205KS					Float switch side mount, Teflon hinge	
					<b>Contact form</b>	
	1				N.O./N.C. max. 250V	
	2				C.O. max. 48V	
					<b>Housing material</b>	
		2			PP	
		3			PVDF*	* Only for connection 0
					<b>Connections</b>	
			0		Connection thread R1/2, PVC cable connection 1 m, limit stop	
			2		Connection thread R1/2, M12 connector*	* Only with material: PP
			D		Connection thread G1/2, PVC cable connection 1 m, compression grommet	
			G		Connection thread G1/2, PVC cable connection 1 m	
					<b>Other cable lengths*</b>	* Only for connections 0, D and G
				-3	Cable length 3m	
				-5	Cable length 5m	
				-10	Cable length 10m	

#### Optional

More materials for housings, cable sheathing on request

## Electrical data

Attribute	205KS12D	205KS12G	205KS120	205KS122	205KS22D	205KS22G ▶
Max. switching voltage	250 V DC				48 V DC	
Max. switching voltage	250 V AC				48 V AC	
Max. switching current	1 A				0.25 A	
Max. switching power	50 W				3 W	
Contact form	1A or 1B				1C	
Output signal	digital					
Technology	Reed					

## Electrical data

Attribute	205KS220
Max. switching voltage	48 V DC
Max. switching voltage	48 V AC
Max. switching current	0.25 A
Max. switching power	3 W
Contact form	1C
Output signal	digital
Technology	Reed

## Mechanical data

Attribute	205KS12D	205KS12G	205KS120	205KS122	205KS22D	205KS22G ▶
Float diameter	17 mm					
Version	Teflon hinge					

## Mechanical data

Attribute	205KS220
Float diameter	17 mm
Version	Teflon hinge

## Material information

Attribute	205KS12D	205KS12G	205KS120	205KS122	205KS22D	205KS22G ▶
Housing material	PP					
Float material	PP					
Cable material	PVC			-	PVC	

## Material information

Attribute	205KS220
Housing material	PP
Float material	PP
Cable material	PVC

## Environmental conditions

Attribute	205KS12D	205KS12G	205KS120	205KS122	205KS22D	205KS22G ▶
Operating temperature min.	-25 °C					
Max. operating temperature	105 °C					
Pressure resistance	3 bar					
Protection class outside container	IP67 DIN EN 60529					
Protection class inside container	IP68 DIN EN 60529					

## Environmental conditions

Attribute	205KS220
Operating temperature min.	-25 °C
Max. operating temperature	105 °C
Pressure resistance	3 bar
Protection class outside container	IP67 DIN EN 60529
Protection class inside container	IP68 DIN EN 60529

## Installation

Attribute	205KS12D	205KS12G	205KS120	205KS122	205KS22D	205KS22G ▶
Mounting type	Thread					
Thread	G 1/2					
Installation opening	G1/2	G 1/2	G1/2	G 1/2	G1/2	

## Installation

Attribute	205KS220
Mounting type	Thread
Thread	G 1/2
Installation opening	G1/2

## Connection

Attribute	205KS12D	205KS12G	205KS120	205KS122	205KS22D	205KS22G ▶
Connector type	-			M12	-	
Cable length	1 m			-	1 m	

## Connection

Attribute	205KS220
Connector type	-
Cable length	1 m