

CAPACITIVE SENSORS
S26

RECHNER
SENSORS



For all transactions, the latest version of the „General Conditions of Sale and Delivery for Products and Services of the Electrical Industry ZVEI“ shall apply, along with the supplementary conditions „extended reservation of proprietary rights“, together with the supplements listed on our order confirmations and/or invoices. All specifications are subject to change without notice. Reprint, even in part, only with our consent.
© RECHNER Germany 04/2017 GB - Printed in EU, all rights reserved.

Edition April 2017

With publication of this catalogue all former printed catalogues about RECHNER KAS-26... series capacitive sensors are invalid.

All specifications are subject to change without notice. (04/2017)

CAPACITIVE SENSORS KAS S26

	Pages
Technology	4 - 6
Adjustment	7
Typical curves	8
Mounting	9 - 10
Technical Terms	11 - 12
Series	13 - 14
Type code	15 - 19
Product description S26	20 - 21
Capacitive sensors S26	22 - 69
Capacitive sensors S26, ATEX	70 - 106
Capacitive sensors S26, LevelMaster	107 - 116
Type selection in article number order	117
Type selection in article description order	118

All specifications are subject to change without notice. (04/2017)

TECHNOLOGY

Capacitive sensors, our abbreviation **KAS**, contain a transistor oscillator which is actuated when a defined capacitance is exceeded by the approach of metals, non-metals or liquids. The smaller its dielectric permittivity ϵ_r , the closer the medium has to be approached. This effect can also be achieved by detecting through non-metal materials, if the dielectric permittivity of the material to be detected is higher (approx. factor 5). Depending on the type the current change of the oscillator will be amplified to a streamlined output signal or output as a binary signal by a switching amplifier.

Output stages with **npn or pnp transistors** are available for **DC** operation.
A **transistor output** stage or FET-output is integrated for **AC** connection

The output switching functions are similar to mechanical switches

Normally open NO
Normally closed NC
Change-over (Antivalent) (NO + NC)

Electronic circuits, PLCs, relays or contactors can be activated directly by capacitive sensors. The current change in the oscillator is caused without physical contact by the approach of the actuating material to the active area. The damping of the oscillator is possible between the active surface and specified sensing distance ($S_n \pm 10\%$).

The **RECHNER** capacitive sensors with 20-turn spindle potentiometer allow sensitivity adjustment greater or less than the nominal sensing distance. Under the best operating conditions (e.g. constant ambient conditions) a sensing distance up to the maximum specified value can be adjusted. The components of the KAS are mounted in plastic or metal casings and encapsulated with epoxy casting resin.

By means of the following measures all devices are insensitive to dirt, vibration (vibration stability: 30 g, 100...2000 Hz, 1 hour) and are watertight (depending on the type, up to IP 68). The choice of housings enables a wide range of applications, e.g. with aggressive media, in hot areas or in areas subjected to steam.

Only pre-tested electronic components, proven integrated circuits and hybrid circuits are used and produced with SMT. The standard constant ambient temperature permitted is -25 up to +70 °C, and up to 90 °C for brief periods. High-temperature types for use from -200 up to +250 °C are also included in our general product line.

With contactless detection no physical actuating force is required for operation. There is no contact bounce, no sensor wear, no maintenance and the service life is independent of the switching frequency.

KAS can be used in machines, systems and vehicles for level monitoring of liquids or bulk material, and also through non-metal windows. Further more as limit switches, contact-less position switches for monitoring and positioning, as pulse generator for counting tasks, distance and speed measurements and for many other applications.

TECHNOLOGY

Housing materials

The application of the housing materials used is based on the technical specifications of the material and of the manufacturer. Even though RECHNER Sensors have far-reaching application experience concerning the use of different housing materials, the customer is responsible for checking in each case that the housing material is suitable for the application.

The following housing materials are used:

Short description	Material	FDA - No.	Contact with food permitted	Traceability according to. EU 1935/2004
PA	Polyamide 6.6, glasfibre reinforced	No	No	No
PC	Polycarbonate	FDA 21 CFR 177.1580	Yes	No
PEEK	Polyetheretherketone	FDA 21 CFR 177.2415	Yes	Yes
POM	Polyoxymethylene	No	No	No
PP	Polypropylene	FDA 21 CFR 177.1520	Yes	No
PPO	Polyphenylenoxide	No	No	No
PTFE	Polytetrafluorethylene	FDA 21 CFR 177.1550	Yes	Yes
PVC	Polyvinylchloride	No	No	No
PVDF	Polyvinylidenfluoride	FDA 21 CFR 177.2510	Yes	No
AL	Aluminium	No	No	No
MS	Brass / chrome or nickel plated	No	No	No
VaA	Stainless steel VA, material No. 1.4301 (AISI 304)	No	No	No
VAb	Stainless steel VA, material No. 1.4305 (AISI 303)	No	No	No
VAc	Stainless steel VA, material No. 1.4404 (AISI 316L)	FDA conform	Yes	No

All specifications are subject to change without notice. (04/2017)

Wiring of the capacitive sensors should be routed separately or screened from heavy conductor lines, as in extreme cases inductive peak voltages can destroy the sensors despite the integrated protective circuit. Screened cable or twisted lines are recommended, especially for longer cable runs > 5 m. Direct control of electric light bulbs is to be avoided, because during the switch-on moment cold current is many times the rated current and can destroy the output stage of the sensor.

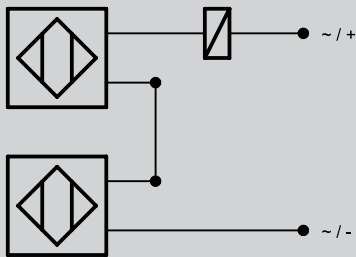
Units with strong near field power, e. g. high power walkie-talkies, or noise sources in the lower frequency range, e.g. long, middle or short wave transmitters should not be operated close to the sensors or additional measures have to be taken in order to eliminate incorrect operation.

TECHNOLOGY

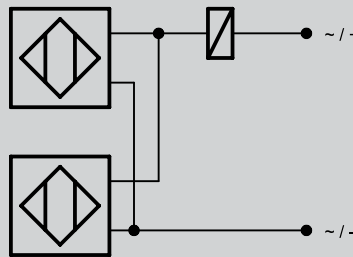
Series connection or parallel connection

2- and 3-wire **sensors** with binary output can be used in series or parallel connection, similar to mechanical contacts. The type-typical voltage drop and the residual voltage U_d , which must be multiplied in accordance with the number of sensors for series connection, must be noted. In the case of parallel connection of sensors with thyristor output, the first switched output takes over the total load current.

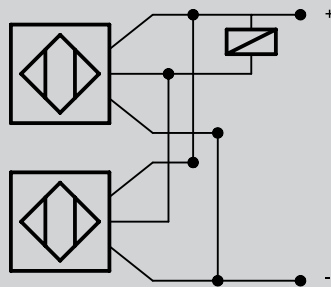
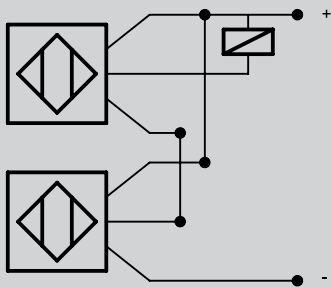
Series connection



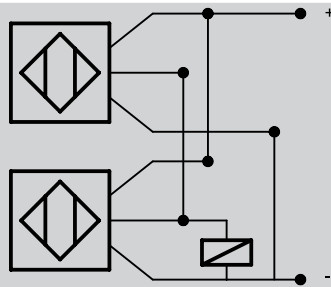
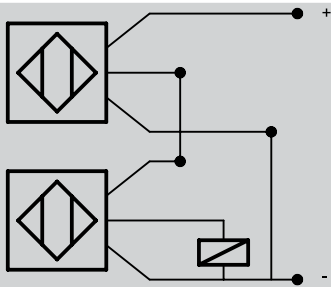
Parallel connection



2 wire AC / DC



3 wire DC NPN



3 wire DC PNP

All specifications are subject to change without notice. (04/2017)

ADJUSTMENT

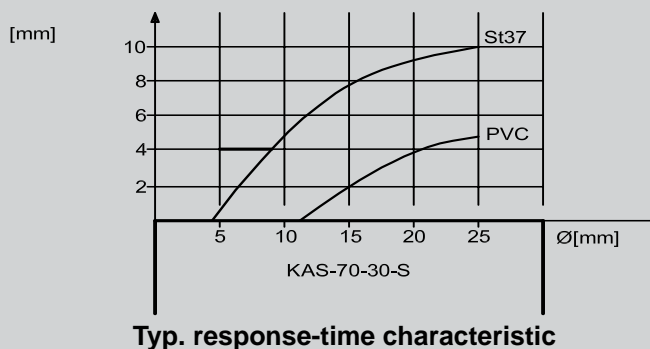
Capacitive sensors with analog output 4...20 mA/0...10 V or inverted

Analog capacitive sensors are equipped with a 20-turn spindle potentiometer. This allows adjustment of an application specific operating range between the **minimum distance “0 mm”** and the type-typical maximum value. Consequently, the full output current range (4...20 mA) is always present, regardless of the required measuring distance. The analog sensors of series 80 are designed with a 2-colour LED which facilitates adjustment. Within the operating range of 4...20 mA the LED is yellow. In the undamped state the output current value is > 20 mA and moves with the reduction of the object distance toward 4 mA (value at total damping approx. 2.5 mA). In the case of series 40 for some types the current characteristic is inversely-proportional to the object-distance.

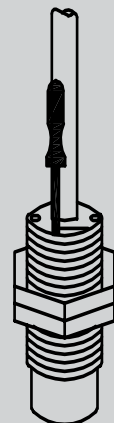
Nominal sensing distance (Sn) - measurement according to DIN VDE 0660, Part 208

The data of the **nominal sensing distance** are based on the measuring method according to DIN VDE 0660, Part 208. The respective nominal sensing distance is indicated with a tolerance of $\pm 10\%$. The **standard measurement plate** is square with a thickness of 1 mm and is made of carbon steel FE 360 (defined in ISO 630: 1980) with a smoothed surface and earthed. The side lengths are equal to the diameter of the active area of the KAS or equal to $3 \times S_n$, depending on which value is greater. With a different material or a smaller surface of the actuating element, the sensing distance is smaller.

Sensing distance



Adjustment of the sensing distance is made by means of a spindle potentiometer with the screwdriver provided. With plug-gable sensors $\leq M 18 \times 1 / \varnothing 22$ the potentiometer is on the side.



For size M 30 x 1.5 / $\varnothing 30$:
First open plastic tab.
For size > M 30 x 1.5 / $\varnothing 30$:
First remove plastic sealing screw.

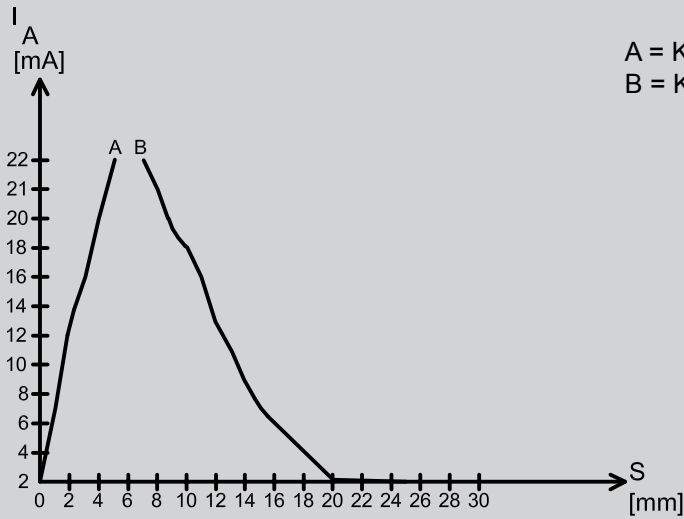
The possible sensing distance for a particular material is dependent on the dielectric permittivity ϵ_r and can be worked out by means of the typical reduction factors:

Sensing distance = $S_n \times$ reduction factor.

Material:	FE 360	St 37	Water	Wheat	Wood	Glass	Oil	PVC	PE	Ceramic
Reduction factor approx.	1	1	1	0.8	0.7	0.6	0.4	0.4	0.37	0.3

All specifications are subject to change without notice. (04/2017)

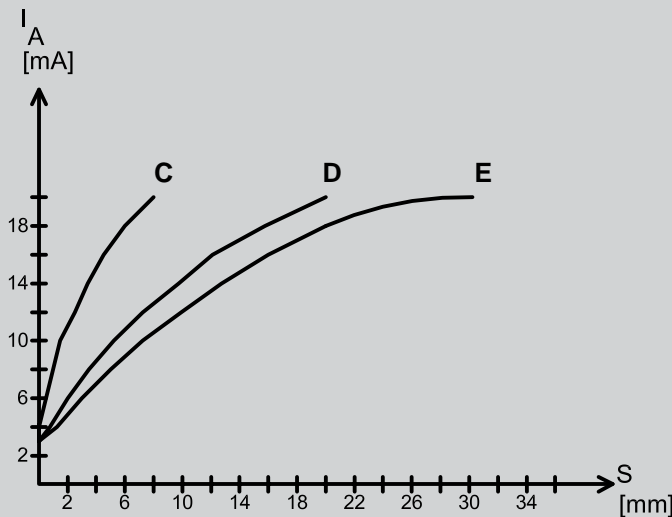
TYPICAL CURVES



Typ. curve of 2 wire analog sensors

A = KAS-40-A13-IL, ATEX
B = KAS-40-A24-IL-M30-V2A-StEx, ATEX

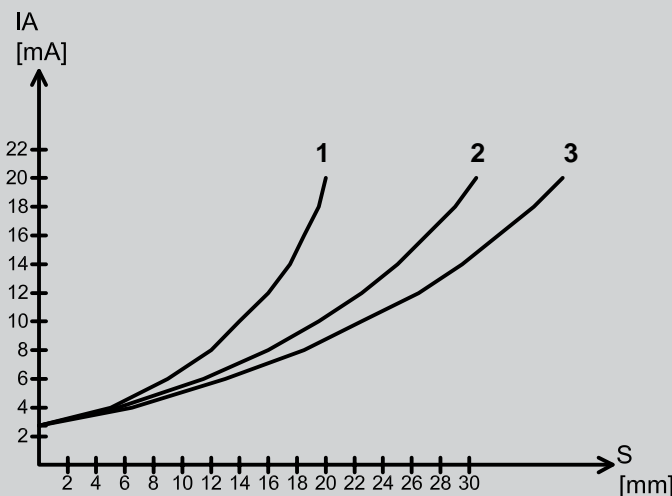
Parameter:
 $T_u = 25\text{ }^\circ\text{C}$, $U_B = 12\text{ V DC}$
Actuator
Steel St 37, 1 mm thick,
square, side length to
3 x diameter of the active
area, earthed.



Typ. curve of 3 wire analogue sensors

C = KAS-80-A13-IL
D = KAS-80-A14-IL
E = KAS-80-30-IL(-M32)

Parameter:
 $T_u = 25\text{ }^\circ\text{C}$, $U_B = 24\text{ V DC}$
Actuator
Steel St 37, 1 mm thick,
square, side length to
3 x diameter of the active
area, earthed.



3 wire analogue sensors with different adjustments

KAS-80-34-IL-M32-PTFE/MS
1 = Adjustment 20 mm
2 = Adjustment 30 mm
3 = Adjustment 36 mm

Parameter:
 $T_u = 25\text{ }^\circ\text{C}$, $U_B = 24\text{ V DC}$
Actuator
Steel St 37, 1 mm thick,
square, side length to
3 x diameter of the active
area, earthed.

All specifications are subject to change without notice. (04/2017)

MOUNTING

Flush mounting or non-flush mounting types

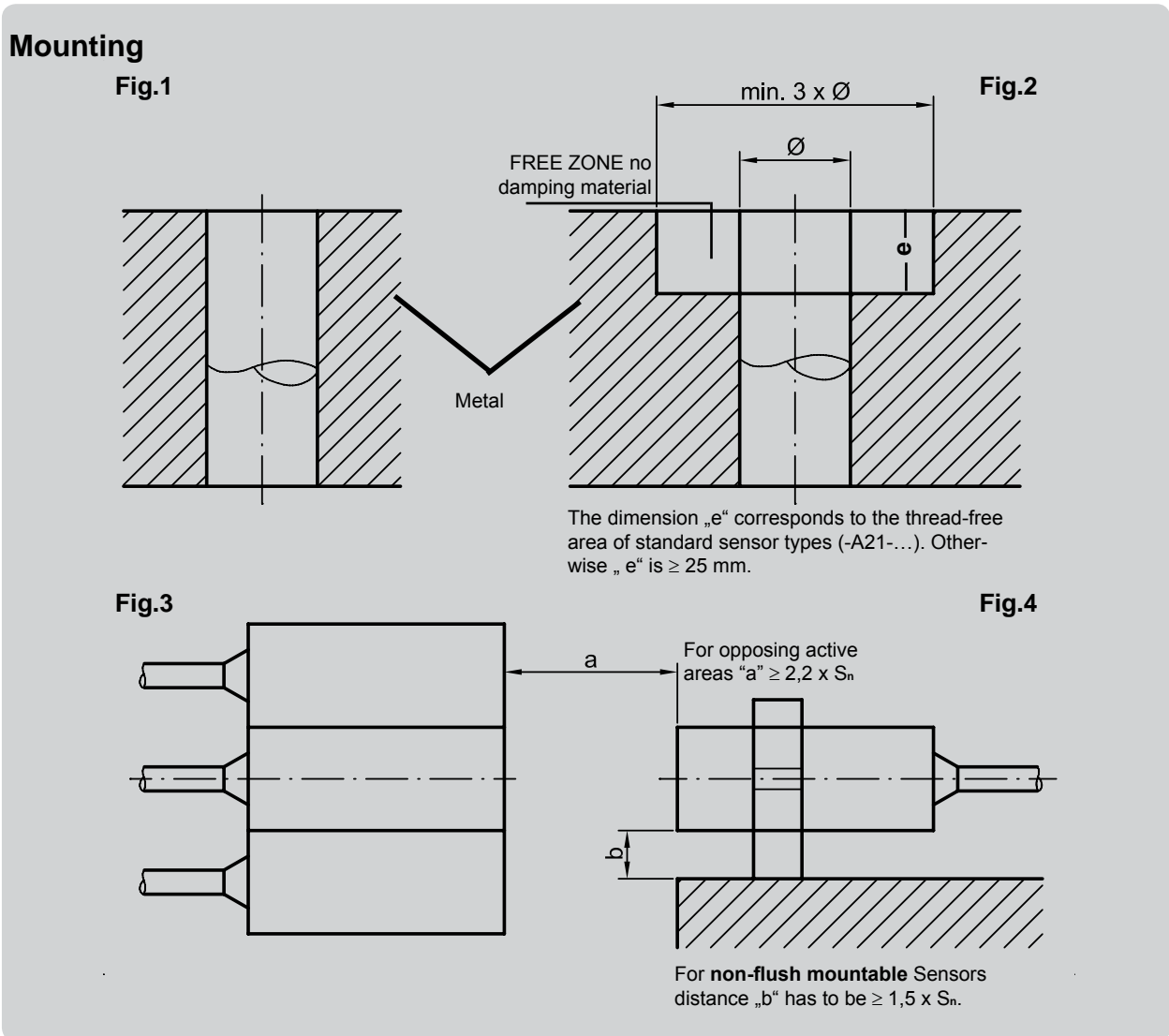
There are two different types of capacitive sensors:



For flush mounting in metal or other materials. These sensors can be mounted close together (see Fig. 1 and 3) and are specially designed for contact-less detection of solids or liquids through non-metal containers (max. wall-thickness 4 mm)



For non-flush mounting in metal or other materials. When mounting two or more sensors side by side a space / free zone must be provided (see Fig. 2 and 4). These sensors are designed for applications where the detecting material comes into contact with the active area of the sensor (e.g. level monitoring of bulk materials or liquids).



All specifications are subject to change without notice. (04/2017)

MOUNTING

Maximum Torque

In order to prevent damage to the threaded sleeves when mounting, the material and version-dependent **maximum torque** should be taken into consideration. The values listed in the table are based on the use of the nuts supplied with the sensors.

Housing Material						
Thread	PVC	PPO	PA 6.6	PTFE	Brass	Stainless Steel
M 5 x 0.5	-	-	-	-	-	1.5 Nm
M 8 x 1	-	-	-	-	-	4.5 Nm
M 12 x 1	1.5 Nm	1 Nm	1 Nm	0.2 Nm	15 Nm	15 Nm
M 18 x 1	-	3 Nm	1.7 Nm	0.5 Nm	28 Nm	40 Nm
M 22 x 1.5	12 Nm	10 Nm	6 Nm	1,4 Nm	32 Nm	50 Nm
M 30 x 1.5	-	8 Nm	8 Nm	2.5 Nm	82 Nm	150 Nm
M 32 x 1.5	-	13 Nm	13 Nm	3 Nm	110 Nm	180 Nm
G 1"	-	-	-	2.5 Nm	-	-

Threaded sensors - maximum screw-in length

Due to the permitted thread tolerances specified in German standard DIN 13, the **maximum screw-in length** for threaded sensors should be taken into consideration. Depending on that the length of the threaded block for screwing in proximity sensors should not exceed the following dimensions. In the case of larger threaded blocks we recommend drilling a blind hole in order to adhere to the maximum screw-in length.

Thread:	M 5 x 0.5	M 8 x 1	M 12 x 1	M 18 x 1	M 22 x 1.5	M 30 x 1.5	M 32 x 1.5
Maximum length	3 mm	6 mm	8 mm	12 mm	12 mm	12 mm	12 mm

All specifications are subject to change without notice. (04/2017)

TECHNICAL TERMS

Unless otherwise specified technical data is as follows: +20 °C,
 $U_B = 8 \text{ V DC}$ for KAS-40; $U_B = 24 \text{ V DC}$ for KAS-70 and KAS-80 and $U_B = 230 \text{ V AC}$ for KAS-90.

Operating sensing distance / S_a

Within the operating sensing distance the sensor operates reliably taking into account all the possible tolerances. It lies between 0 and $0.81 \times S_n$.

Power up time delay

The time the sensor needs to be ready for operation after connecting the operating voltage. It is in the milliseconds range.

Housing materials

The application of the housing materials used is based on the technical specifications of the material and of the manufacturer. Even though RECHNER Sensors have far-reaching application experience concerning the use of different housing materials, the customer is responsible for checking in each case that the housing material is suitable for the application.

Cable

For the standard models PVC- or PUR-cable are used. One has to take into consideration that the cable should not be moved with ambient temperatures below -5 °C . PVC is not suitable for use in applications with oil-based liquids or with UV-radiation. PUR is not suitable for continuous contact with water. For special application areas silicone or PTFE cables are available.

Minimum sensing distance / S_{min}

The minimum possible sensing distance, which can be adjusted by potentiometer and which can be used effectively in practical applications with reference to a medium with $\epsilon_r \geq 80$.

Maximum sensing distance / S_{max}

The maximum possible sensing distance, which can be adjusted by potentiometer and which can be used effectively in practical applications with reference to a medium with $\epsilon_r \geq 80$. The sensors should only be used under constant ambient conditions, such as constant temperature, no humidity, and no deposits on the active face of the sensor.

Nominal sensing distance / S_n

The characteristic value of a proximity sensor, without consideration of production tolerances and variations due to temperature and voltages.

Real sensing distance / S_r

The sensing distance determined at +20 °C and rated voltage. Here the series variance is taken into consideration. Variation max. $10 \% \pm$ of S_n .

Reduction factors

For materials other than metals (e.g. FE 360 or ST 37, Al, Cu) or water, the reduction factors shown in the table on page 6 should be taken into consideration.

Series- and parallel connection

It is possible to connect the proximity sensors in series or parallel. When considering this it must be taken into account that the voltage drops are added for series connection and the residual voltages for parallel connection. Under these circumstances it is advisable to operate a maximum of three sensors in a corresponding circuit.

Repeat accuracy of the switching point

The variation of the switching point of two successive measurements at constant ambient conditions.

Frequency of operating cycles

The maximum damping and un-damping cycles of the proximity sensor within one second. To ascertain the frequency of operating cycles a pulse / break ratio of 1 : 2 is used as a basis, at S_n .

TECHNICAL TERMS

Switching hysteresis

The difference between the switch-on and switch-off point of a proximity sensor, when approaching or moving away from the standard measuring plate.

Temperature variation

The displacement of the switching point if the ambient temperature changes.

Degree of protection according to IEC 60529

	1. Digit: Protection against solids		2. Digit: Protection against water	
IP	0	No protection	0	No protection against water
IP	1	Protection against solid foreign bodies $\varnothing > 50$ mm	1	Protection against vertical water drops
IP	2	Protection against solid foreign bodies $\varnothing > 12,5$ mm	2	Protection against diagonal water drops (up to a 15° angle)
IP	3	Protection against solid foreign bodies $\varnothing > 2,5$ mm	3	Protection against spray water
IP	4	Protection against solid foreign bodies $\varnothing > 1$ mm	4	Protection against splashing water
IP	5	Protection against harmful dust deposits, dust protected	5	Protection against water jet
IP	6	Protection against contact with voltage-carrying parts. Protection against penetration of dust	6	Protection against strong water jet
			7	Protection against ingress of water when the equipment is immersed in water, up to 1 m depths and for a period of 30 minutes
			8	Protection against ingress of water when the equipment is immersed in water, under conditions determined from the manufacturer.
			9	Protection against ingress of water during high pressure or steam cleaning under defined conditions

All specifications are subject to change without notice. (04/2017)

SERIES

Capacitive sensors - series 40

The **series 40** contains capacitive 2-wire proximity signal generators according to NAMUR DIN 60947-5-6, also StEx-Versions for use in zone 20 (dust explosion protection). These sensors can be mounted in explosion hazardous areas when they are connected to approved isolating switching amplifiers with intrinsically safe control circuit [EEExia] or [EEExib], our series N-132. Depending on the isolating switching amplifier selected the NAMUR-sensors of this series can be used up to zone 0 (StEx-Versions also for zone 20). The data specified in the certificate of conformity of the selected isolating switching amplifier must be taken into consideration. The 2-wire analog sensors of this series can also be used in zone 0 if they are connected to an ATEX-certificated amplifier, such as our series N-132.

Transistor amplifier - series 120

The transistor amplifier of our **series 120** has been designed especially for use with **our capacitive NAMUR mini-sensors (e.g. KAS-40-6/15-N, KAS-40-A11-N, KAS-40-18/5-N)**. All sensors according to NAMUR are connectable (provided that the cable diameter corresponds to the connector), our **series IAS-30...** and **KAS-40...** The sensing distance is adjustable by means of a potentiometer, this also applies to capacitive sensors that have no adjustment on the body. The antivalent outputs (NO and NC function) are overload protected and are available as pnp or npn output. The strong PA 6.6 housing may be mounted with additional units side by side and is equipped with a two- colour LED display that monitors stand-by (green) operating condition (yellow). Sensor and amplifier may be connected by a plug contact (female connector is enclosed).

Capacitive sensors - series 70

The **series 70** contains capacitive 3-wire or 4-wire proximity sensors with NPN digital output with NO, NC or antivalent function (NO and NC). Electronic circuits, PLC's, relays and our power supplies of series 130 can be activated directly. The sensors are reverse-polarity protected, overload-protected and have electronic short-circuit protection. StEx-versions with ATEX and IECEx certification for applications in zone 20, sensors for ambient temperatures up to +100 °C or for products with very high static charge complete the scope of the standard versions.

Capacitive sensors - series 80

The **series 80** contains capacitive 3-wire or 4-wire proximity sensors with PNP digital output with NO, NC or antivalent function (NO and NC). Electronic circuits, PLC's, relays and our power supplies of series 130 can be activated directly. The sensors are reverse-polarity protected, overload-protected and have electronic short-circuit protection. StEx-versions with ATEX and IECEx certification for applications in zone 20, sensors for ambient temperatures up to +100 °C or for products with very high static charge complete the scope of the standard versions.

Capacitive sensors - series 2000

The **series 2000 quattro⁺** contains capacitive 3-wire DC proximity sensors with **four output-functions, NPN-NO** and **PNP-NC** or, after resetting of the coding switch, **NPN-NC** and **PNP-NO**. Electronic circuits, PLC's and relays can be directly activated. Different housing materials are available, such as PA or PPO, PTFE, PTFE / brass or PTFE / VA. This series is completed by a version for medium temperatures up to **+160 °C**.

SERIES

Capacitive sensors - series 90

The **series 90** contains capacitive 2-wire AC / DC proximity sensors with thyristor digital output or FET-stage with NO and NC function. AC relays, conductors and solenoid valves can be directly activated. PLCs with AC inputs can also be connected so long as the minimum load current is taken into consideration. The sensors have a protective circuit against high induction voltages.

Capacitive sensors - series 1000

The **series 1000 duo**⁻² contains capacitive 2-wire a.c.-d.c. proximity sensors with NO and NC-function. The supply voltage range of 20...250 V AC / DC allows for applications in electronic circuits, PLC's as well as for conductors with AC supply voltage. The output functions (NO or NC) can be determined by means of a coding switch.

Increased requirements to the sensor

For **increased requirements** for the permitted ambient temperature range of our capacitive proximity sensors, we offer the series **up to +100 °C** with integrated electronics as a 3-Wire DC version (see series 70 and 80). The sensors are available with housings made of PTFE, PTFE / VA or PTFE / brass.

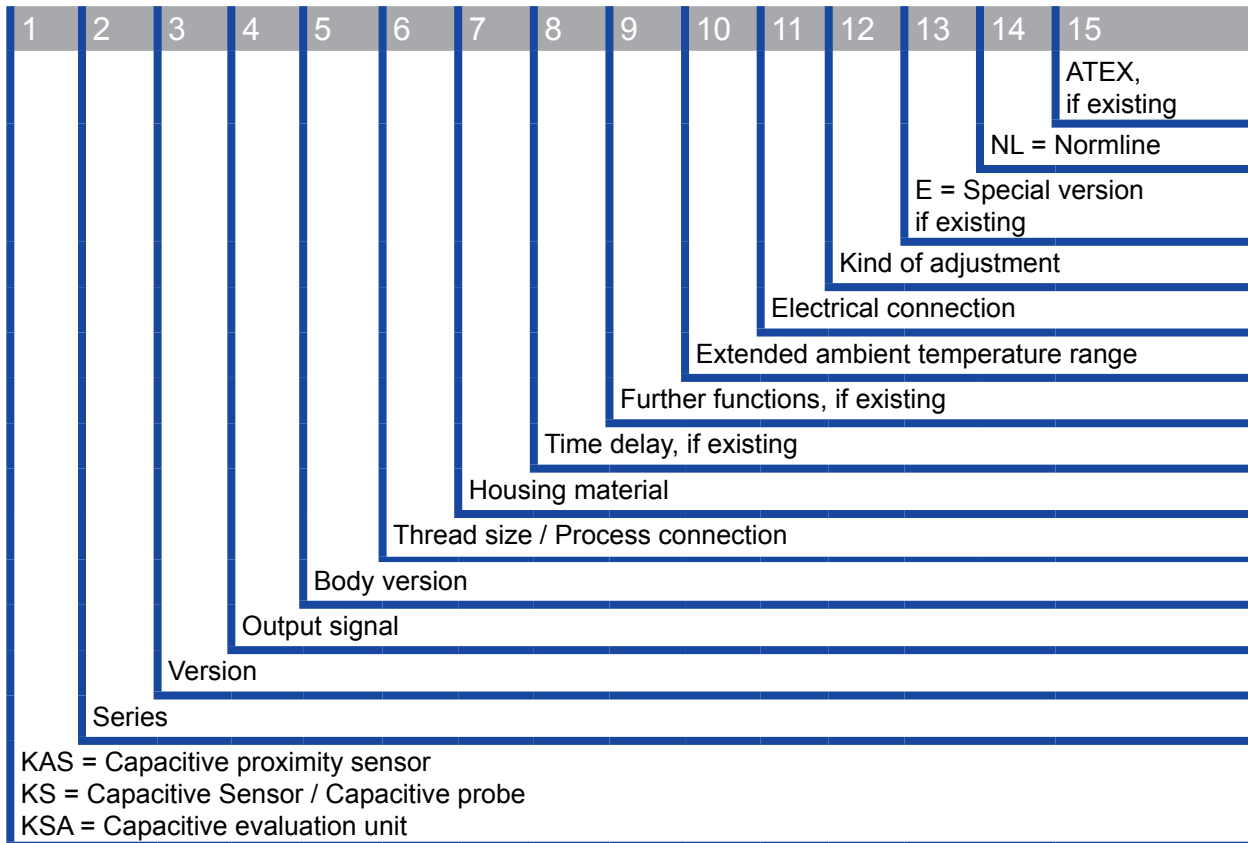
Sensors with quattro⁺³ are available for **temperatures up to +160 °C (medium)** (see series 2000). Here too housing materials of PTFE and VA are used as standard.

For extreme ambient or product-temperature conditions, our series 250 (see series 250) or "KXS-Extreme" are available with **high temperature sensors up to +250 °C** and remote electronics (please ask for the KXS catalogue). The sensors of our series 250 are integrated in PTFE or PTFE / VA housings. The FEP-coated sensor cable, in the lengths 2 m and 5 m, is the connection to the evaluation unit and may also be used under high-temperature conditions. The evaluation unit is connected to the sensor by means of a plug-in connector. On the sensor side the cable is permanently cast in or equipped with a temperature-resistant plug-in-connector (...Y-version). The sensing distance for high temperature sensors can be adjusted on the evaluation unit and the switching state is displayed by a LED. The sensing distance adjustment should be made at operating temperature. Here the maximum specified sensing distance and the temperature drive must be taken into consideration.

TYPE CODE

Example:

KAS - 80 - 35 - A - M32 - PTFE/VA - 100C - Z02 - 1



Position 2

Serie	Output	Supply voltage
40	NAMUR DIN 60947-5-6, ATEX	DC
42	NAMUR DIN 60947-5-6, ohne ATEX	DC
70	NPN	DC
80	PNP	DC
7080	NPN / PNP	DC
83	PNP	DC
90	FET output	AC / DC
95	Relay output	AC / DC
250	High-temperature evaluation unit, probe	Evaluation unit AC / DC, Probe passive
700	Level Master NPN	DC
701	Level Master NPN XS	DC
800	Level Master PNP	DC
801	Level Master PNP XS	DC
1000	Thyristor output	AC / DC
2000	NPN/PNP selectably via change-over switch	DC

All specifications are subject to change without notice. (04/2017)

TYPE CODE

Position 3

Value	Body size (\varnothing = mm)	Cylindrical	Mounting version	Special length (mm)
A11	M8 x 1	Yes	Flush	-
A21	M8 x 1	Yes	Non-flush	-
A21/63	M8 x 1	Yes	Non-flush	63
A12	M12 x 1	Yes	Flush	-
A22	M12 x 1	Yes	Non-flush	-
A13	M18 x 1	Yes	Flush	-
A23	M18 x 1	Yes	Non-flush	-
A14	M30 x 1,5	Yes	Flush	-
A14/40	M30 x 1,5	Yes	Flush	40
A24	M30 x 1,5	Yes	Non-flush	-
A24/50	M30 x 1,5	Yes	Non-flush	50
A24/90	M30 x 1,5	Yes	Non-flush	90
6/15	\varnothing 6	Yes	Flush	15
6.3/20	\varnothing 6,3	Yes	Flush	15
6.5/20	\varnothing 6,5	Yes	Non-flush	20
M8/15	M8 x 1	Yes	Flush	15
M8/25	M8 x 1	Yes	Non-flush	26
M10/70	M10 x 1,5	Yes	Non-flush	70
10	\varnothing 11	Yes	Flush	-
14	\varnothing 11	Yes	Non-flush	-
M16	M16 x 1,5	Yes	Non-flush	-
G1/4	G1/4"	Yes	Non-flush	-
G3/8	G3/8"	Yes	Non-flush	-
G1/2	G1/2"	Yes	Non-flush	-
G3/8/35	G3/8"	Yes	Non-flush	35
G3/8/50	G3/8"	Yes	Non-flush	50
G3/8	G3/8"	Yes	Non-flush	150
R3/8/35	R3/8"	Yes	Non-flush	35
18	\varnothing 18	Yes	Flush	-
18/4	\varnothing 18	Yes	Flush	4
M18/50	M18 x 1	Yes	Non-flush	50
M18/150	M18 x 1	Yes	Non-flush	150
20	\varnothing 20	Yes	Flush	-
20	\varnothing 22	Yes	Flush	-
20	M22 x 1,5	Yes	Flush	-
20/5	\varnothing 20	Yes	Flush	5
20/137	\varnothing 20	Yes	Non-flush	137
23	\varnothing 20	Yes	Non-flush	-
23	\varnothing 22	Yes	Non-flush	-
23	M22 x 1,5	Yes	Non-flush	-
23/170	\varnothing 22	Yes	Non-flush	170

Position 3

Value	Body size (\varnothing = mm)	Cylindrical	Mounting version	Special length (mm)
26/105	\varnothing 15	Yes	Non-flush	105
26/113	\varnothing 26	Yes	Non-flush	113
26/160	\varnothing 15	Yes	Non-flush	160
26/200	\varnothing 26	Yes	Non-flush	200
26/240	\varnothing 26	Yes	Non-flush	240
26/300	\varnothing 26	Yes	Non-flush	300
26/400	\varnothing 26	Yes	Non-flush	400
26/416	\varnothing 26	Yes	Non-flush	416
26/445	\varnothing 26	Yes	Non-flush	445
30	\varnothing 30	Yes	Flush	-
30/10	\varnothing 30	Yes	Flush	10
30/50	\varnothing 30	Yes	Flush	50
30/40	\varnothing 30	Yes	Flush	40
30EM/15	\varnothing 30	Yes	Flush	-
30/60	\varnothing 30	Yes	Flush	60
35	\varnothing 32	Yes	Non-flush	-
35	M32 x 1,5	Yes	Non-flush	-
35/22	\varnothing 38	Yes	Non-flush	22
35/50	M32 x 1,5	Yes	Non-flush	50
37	\varnothing 34	Yes	Flush	-
38	\varnothing 34	Yes	Non-flush	-
40	\varnothing 40	Yes	Flush	-
41	\varnothing 40	Yes	Non-flush	-
50	\varnothing 50	Yes	Flush	-
53	\varnothing 50	Yes	Non-flush	-
61	\varnothing 64	Yes	Non-flush	-
C20	46 x 74,5	Quader	Non-Flush	-
C30EM/8	34 x 34	Quader	Flush	-
C40/30	120 x 80 x 30	Quader	Flush	-
C41/30	120 x 80 x 30	Quader	Non-flush	-
P50	Paddle	Smart-paddle	Non-flush	-
BB	50 x 50 x 26	Quader	Non-flush	-
B	46,6 x 74,5 x 30	Quader	Non-flush	-
BXL	110 x 70 x 40	Quader	Non-flush	-

All specifications are subject to change without notice. (04/2017)

TYPE CODE

Position 4	
Value	Output signal
A	Antivalent (NO + NC)
S	Normally open (NO)
Ö	Normally closed (NC)
P	Normally open / Normally closed changeable
N	NAMUR
IL4/UL0	Analogue output 4...20 mA/0...10 V
IL20/UL10	Analogue output 20...4 mA/10...0 V
IL4	Analogue current output 4...20 mA
IL20	Analogue current output 20...4 mA
1CO	Micro controller, 1 Change-over contact
1COR	Micro controller, 1 Change-over contact
X	Passiv

Position 5	
Value	Thread / Process connection
M8	M8 x 1
M12	M12 x 1
M14	M14 x 1
M16	M16 x 1
M18	M18 x 1
M22	M22 x 1,5
M30	M30 x 1,5
M32	M32 x 1,5
G1/2	G1/2"
G3/4	G3/4"
G1	G1"
G11/2	G1 1/2"
NPT1/4	NPT 1/4"
R3/8	R3/8"
PFM22	M22 x 1,5
PFM30	M30 x 1,5
TRI	Triclamp
PFS1	Fit PFS1
PFS2	Fit PFS2
F30	Fit F30

TYPE CODE

Position 6

Material	Active surface	Housing
Ceramic/VAb	Ceramics	Stainless steel No. 1.4305 (AISI 303)
LCP	Liquid crystal polymer	Liquid crystal polymer
LCP/VAb	Liquid crystal polymer	Stainless steel No. 1.4305 (AISI 303)
PA	Polyamide 6.6. glass-fibre reinforced	Polyamide 6.6. glass-fibre reinforced
PA/MS	Polyamide 6.6. glass-fibre reinforced	Brass nickel
PA/VAb	Polyamide 6.6. glass-fibre reinforced	Stainless steel No. 1.4305 (AISI 303)
PBT/MS	Polybutyleneterephthalate	Brass nickel
PC	Polycarbonate	Polycarbonate
PEEK	Polyetheretherketone FDA 21 CFR 177.2415	Polyetheretherketone FDA 21 CFR 177.2415
PEEK/VAA	Polyetheretherketone FDA 21 CFR 177.2415	Stainless steel No. 1.4301 (AISI 304)
PEEK/VAb	Polyetheretherketone FDA 21 CFR 177.2415	Stainless steel No. 1.4305 (AISI 303)
PEEK/VAc	Polyetheretherketone FDA 21 CFR 177.2415	Stainless steel No. 1.4404 (AISI 316L)
POM	Polyoxymethylene	Polyoxymethylene
PP	Polypropylene	Polypropylene
PPO	Polyphenylenoxide	Polyphenylenoxide
PPO/MS	Polyphenylenoxide	Brass nickel
PPO/VAb	Polyphenylenoxide	Stainless steel No. 1.4305 (AISI 303)
PTFE	Polytetrafluoroethylene FDA 21 CFR 177.1550	Polytetrafluoroethylene FDA 21 CFR 177.1550
PTFE/AL	Polytetrafluoroethylene FDA 21 CFR 177.1550	Aluminium
PTFE/VAA	Polytetrafluoroethylene FDA 21 CFR 177.1550	Stainless steel No. 1.4301 (AISI 304)
PTFE/VAb	Polytetrafluoroethylene FDA 21 CFR 177.1550	Stainless steel No. 1.4305 (AISI 303)
PTFE/VAc	Polytetrafluoroethylene FDA 21 CFR 177.1550	Stainless steel No. 1.4404 (AISI 316L)
PTFE/MS	Polytetrafluoroethylene FDA 21 CFR 177.1550	Brass nickel
PVC	Polyvinylchloride	Polyvinylchloride
PVC/MS	Polyvinylchloride	Brass nickel
PVC/VAb	Polyvinylchloride	Stainless steel No. 1.4305 (AISI 303)
PVDF	Polyvinylidene fluoride	Polyvinylidene fluoride

TYPE CODE

Position 7

Value	Time delay
No indication	No time delay
OND	Switch-on delay
OFD	Switch-off delay
TD	Time delay (switch-on delay / switch-off delay)
TDE	Time delay, special version

Position 8

Value	More properties
EST	Protection against electrostatic discharge
G	For highly adhesive products
HC	Products with a high dielectric constant or conductivity

Position 9

Value	Advanced temperature range
No indication	No advanced temperature range
90C	90°C
100C	100°C
120C	120°C
150C	150°C
160C	160°C
180C	180°C
250C	250°C

Position 10

Value	Electrical connection
Z0E	Special cable length
Z01	1 m connection cable
Z02	2 m connection cable
Z03	3 m connection cable
Z04	4 m connection cable
Z05	5 m connection cable
Z10	10 m connection cable
Y1	Flange connector M 12 x 1, AC, 2 Pin
Y3	Flange connector M 12 x 1 (Plastic), DC, 4 Pin
Y5	Flange connector M 12 x 1 (Metal), DC, 4 Pin
Y9	Flange connector M 12 x 1, AC, 3 Pin
Y10	Flange connector M 12 x 1, DC, 5 Pin
Y7	Flange connector M 8 x 1, DC, 3 Pin
Y8	Flange connector M 8 x 1, DC, 4 Pin
Y5C	Coupling plug M 12 x 1, DC, 4 Pin
Y7C	Coupling plug M 8 x 1, DC, 3 Pin
Y8C	Coupling plug M 8 x 1, DC, 4 Pin
YEC	Coupling plug special housing
Y12	Flange connector M 8 x 1 (Metal), DC, 4 Pin
Y20	Connection to evaluation unit / Sensor Y20
Y21	Connection to evaluation unit / Sensor Y21
KL	Terminal connection

Position 11

Value	Sensitivity adjustment
1	Potentiometer
0	Fix adjusted, no adjustment possible
ET	Easyteach with button
ETM	EasyTeach by Magnet
ETW	EasyTeach by Wire
MaG	Mount and Go, fix adjusted
CMaG	Customer Mount and Go, fix adjusted

Position 12

Value	Special version
E	Special version
EBC	C-housing (PA) for separate evaluation unit
BS	Blue Sense
Leak	LEAK-Sensor

Position 13

Value	Device family
NL	NormLine
HP	HighPerformance
No indication	-

Position 14

Value	Device for use in areas with the risk of explosion
StEx	For ATEX zone 20
3D	With manufacturer declaration for ATEX zone 22
3G	With manufacturer declaration for ATEX zone 2
3D3G	With manufacturer declaration for ATEX zone 22 and 2
StEx3G	For ATEX zone 20 With manufacturer declaration for ATEX zone 2 (gas)

CAPACITIVE SENSORS S26

Capacitive Sensors with Semispherical Active Surface - S26

The capacitive S26 sensors have a semispherical active surface as an outer sign indicating that this is an extraordinary device for level control. This natural shape facilitates draining of materials and thus enhances the antistatic and anti-stick characteristics of the housing made of PTFE. At the same time the cleanability is improved. In connection with the patented electrode structure, which is specially designed for the S26 sensor, there is a sensor at your disposal that is very insensitive to soiling or material adhesion. This guarantees a safe and reliable level detection. On demand this sensor is available with built-in Bluetooth function for wireless data transfer.

To complete this range there are models with ATEX certificate for use in areas with danger of explosion, dust zone 20 or gas zone 0.

For applications with higher demand on mechanical resistance, e. g. for applications with higher pressure or for the detection of abrasive media, like sugar or salt, we recommend the use of the S26 sensor with a robust PEEK body.

Process connections

The capacitive S26 sensors are suitable for level control of most different products. They are used in the Semiconductor Industry, Chemical Industry and in the Food Industry. These sensors are available with different process connections, like G1", M22, Triclamp and with modified body sizes for standard plastic pipe fitting systems.

Electrical versions

There are models for 10...35 V DC and 20....250 V AC/DC

Non-flush mounting

All S26 sensors are for non-flush mounting. That means they are designed for applications, where the active area of the sensor is in contact with the material to be detected.

With this kind of level control the sensor head (active area) is completely immersed into the powder, granulate or liquid.



CAPACITIVE SENSORS KAS S26

	Pages
Capacitive sensors S26 body size G 1/2"	22 - 23
Capacitive sensors S26 body size Ø 22 mm to M 22	24 - 26
Capacitive sensors S26 body size F 30	27 - 28
Capacitive sensors S26 body size M 30	29 - 30
Capacitive sensors S26 body size G 1"	31 - 54
Capacitive sensors S26 body size Triclamp	55 - 58
Capacitive sensors S26 body size PFM30 / PFS	59 - 62
Capacitive sensors S26 special body size	63
Capacitive sensors S26 body size G 3/4"	64
Capacitive sensors S26, AC / DC	65 - 69

All specifications are subject to change without notice. (04/2017)



Capacitive Sensors S26

Series 70 - NPN
Series 80 - PNP

Type of construction G 1/2"
• Housing material: PEEK



Technical data	Non-flush mountable
Level sensor, in contact with the product	Medium dependent adjustable
Operating distance min. / max. adjustable	0...10 mm
Electrical version	4-wire DC
Output function	Antivalent
Type NPN	KAS-70-26-A-K-G1/2"-PEEK
Art.-No.	KA 1245
Connection diagram No.	1
Type PNP	KAS-80-26-A-K-G1/2"-PEEK
Art.-No.	KA 1244
Connection diagram No.	2
Operating voltage (U_B)	10...35 V DC
Voltage drop max. (U_o)	≤ 2.0 V
Permitted residual ripple max.	10 %
Operating current (I_o)	2 x 0...200 mA
No-load current (I_o)	Typ. 15 mA
Frequency of operating cycles max.	2 Hz
Permitted ambient temperature	-25...+70 °C / CIP 121 °C (zero-current)
LED-display	Green / yellow
Protective circuit	Built-in
Degree of protection IEC 60529	IP 67*
Norm	EN 60947-5-2
Connection cable	2 m, PVC, 4 x 0.34 mm ²
Housing material (part in contact with the medium)	PEEK (FDA 21 CFR 177.2415)
Active surface	PEEK (FDA 21 CFR 177.2415)
Lid	PA
Media optimized	Yes

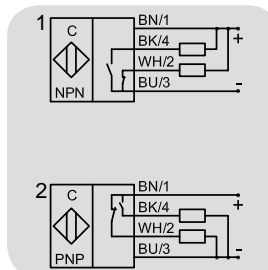
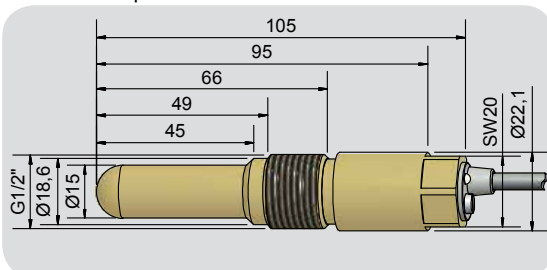
Capacitive Sensors S26 with hemispherical active surface for level control of products with a dielectric constant ϵ_r as of 1,1. Products can be:

- Bulk material, like plastic granules, powder, cereals, etc.
- Liquids, like water, juice, wine, oil, chemicals or pharmaceutical solutions and much more.
- Pastes in the food processing industry, liquid glue, resins or glue, etc.

Advantages:

- EHEDG-Certified
- Measurement is independent of the mounting position
- Permitted pressure on the active area: 10 bar

* With sealed potentiometer screw



Made in Germany

All specifications are subject to change without notice. (04/2017)



Capacitive Sensors S26 Series 80 - PNP

- Type of construction G 1/2"
- Easy Teach by wire
 - Housing material: PEEK



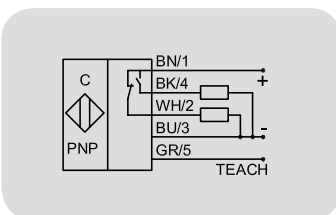
Technical data	Non-flush mountable
Level sensor, in contact with the product	Medium dependent adjustable
Operating distance min. / max. adjustable	0...10 mm
Electrical version	4-wire DC
Output function	Antivalent
Type PNP	KAS-80-26/105-A-G1/2-PEEK-Z02-ETW-HP
Art.-No.	KA 1282
Operating voltage (U_B)	10...35 V DC
Voltage drop max. (U_d)	≤ 2.0 V
Permitted residual ripple max.	10 %
Operating current (I_o)	2 x 0...200 mA
No-load current (I_o)	Typ. 15 mA
Frequency of operating cycles max.	Max. 15 Hz
Permitted ambient temperature	-25...+70 °C / CIP 121 °C (zero-current)
LED-display	Green / yellow
Protective circuit	Built-in
Degree of protection IEC 60529	IP 67*
Norm	EN 60947-5-2
Connection cable	2 m, PVC, 5 x 0.14 mm ²
Housing material	PEEK (FDA 21 CFR 177.2415)
Active surface	PEEK (FDA 21 CFR 177.2415)
Lid	PA
Media optimized	Yes
Accessories (not delivered with the sensor): Varivent Adapter, Welding Socket please see our selection of accessories.	

Capacitive Sensors S26 with hemispherical active surface for level control of products with a dielectric constant ϵ_r as of 1,1. Products can be:

- Bulk material, like plastic granules, powder, cereals, etc.
- Liquids, like water, juice, wine, oil, chemicals or pharmaceutical solutions and much more.
- Pastes in the food processing industry, liquid glue, resins or glue, etc.

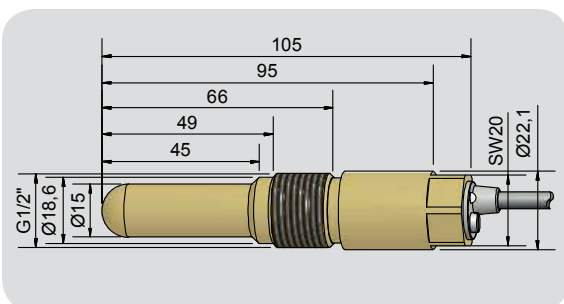
Advantages:

- EHEDG conform
- Measurement is independent of the mounting position
- Permitted pressure on the active area: 10 bar.



All specifications are subject to change without notice. (04/2017)

* Position of the EasyTeach button sealed with sealing screw



EasyTeach chart: LED / Output function
Yellow = A1 Green = A2

- Adjustment "empty"
- Initializing "empty"
- Adjustment "full"
- Initializing "full"
- Factory reset
- Test

Made in Germany



Capacitive Sensors S26 Series 80 - PNP

- Type of construction Ø 22 mm
- Housing material: PTFE
 - Useable for an ambient temperature up to +100 °C
 - With flange connector M 12 x 1

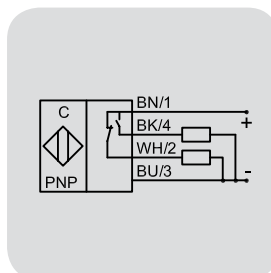
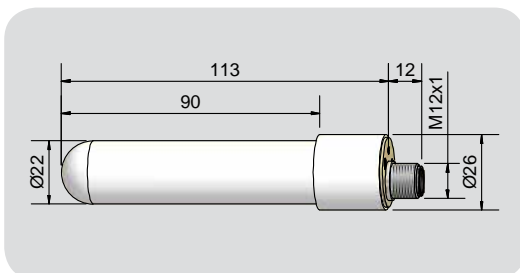


Technical data	Non-flush mountable
Level sensor, in contact with the product	Medium dependent adjustable
Operating distance min. / max. adjustable	0...20 mm
Electrical version	4-pin DC
Output function	Antivalent
Type PNP	KAS-80-26/113-A-D22-PTFE-100C-Y5-1-HP
Art.-No.	KA 0450
Operating voltage (U_B)	10...35 V DC
Voltage drop max. (U_i)	≤ 2.0 V
Permitted residual ripple max.	10 %
Operating current (I_a)	2 x 0...200 mA
No-load current (I_0)	Typ. 15 mA
Frequency of operating cycles max.	50 Hz
Permitted ambient temperature	-25...+100 °C / CIP 121 °C (zero-current)
LED-display	Green / yellow
Protective circuit	Built-in
Degree of protection IEC 60529	IP 67*
Norm	EN 60947-5-2
Connection	Flange connector M 12 x 1
Housing material	PTFE (FDA 21 CFR 177.1550)
Active surface	PTFE (FDA 21 CFR 177.1550)
Lid	PEEK (FDA 21 CFR 177.2415)
Media optimized	Yes
Accessories (not delivered with the sensor): For matching connectors please see our selection of accessories.	

Capacitive Sensors S26 with hemispherical active surface for level control of products with a dielectric constant ϵ_r as of 1,1. Products can be:

- Bulk material, like plastic granules, powder, cereals, etc.
- Liquids, like water, juice, wine, oil, chemicals or pharmaceutical solutions and much more.
- Pastes in the food processing industry, liquid glue, resins or glue, etc.

* With sealed potentiometer screw



Made in Germany

All specifications are subject to change without notice. (04/2017)



Capacitive Sensors S26 Series 80 - PNP

Type of construction \varnothing 22 mm

- Housing material: PTFE
- Useable for an ambient temperature up to +100 °C
- With flange connector M 12 x 1



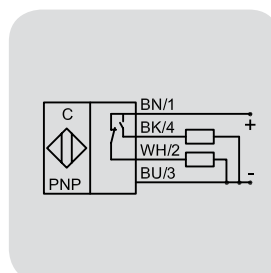
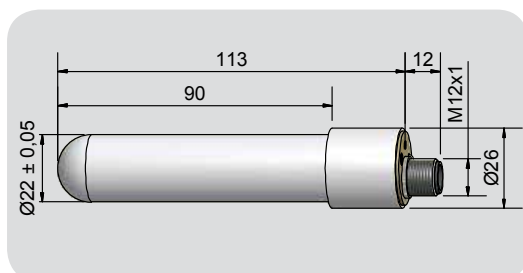
Technical data	Non-flush mountable
Level sensor, in contact with the product	Medium dependent adjustable
Operating distance min. / max. adjustable	0...20 mm
Electrical version	4-pin DC
Output function	Antivalent
Type PNP	KAS-80-26/113-A-D22-PTFE-100C-Y5-1-HP
Art.-No.	KA 0694
Operating voltage (U_B)	10...35 V DC
Voltage drop max. (U_d)	≤ 2.0 V
Permitted residual ripple max.	10 %
Operating current (I_o)	2 x 0...200 mA
No-load current (I_o)	Typ. 15 mA
Frequency of operating cycles max.	50 Hz
Permitted ambient temperature	-25...+100 °C / CIP 121 °C (zero-current)
LED-display	Green / yellow
Protective circuit	Built-in
Degree of protection IEC 60529	IP 67*
Norm	EN 60947-5-2
Connection	Flange connector M 12 x 1
Housing material	PTFE (FDA 21 CFR 177.1550)
Active surface	PTFE (FDA 21 CFR 177.1550)
Lid	PEEK (FDA 21 CFR 177.2415)
Media optimized	Yes
Accessories (not delivered with the sensor): For matching connectors please see our selection of accessories.	

Capacitive Sensors S26 with hemispherical active surface for level control of products with a dielectric constant ϵ_r as of 1,1. Products can be:

- Bulk material, like plastic granules, powder, cereals, etc.
- Liquids, like water, juice, wine, oil, chemicals or pharmaceutical solutions and much more.
- Pastes in the food processing industry, liquid glue, resins or glue, etc.

All specifications are subject to change without notice. (04/2017)

* With sealed potentiometer screw



Made in Germany



Capacitive Sensors S26 Series 80 - PNP

Type of construction M 22 x 1.5
• Housing material: PTFE

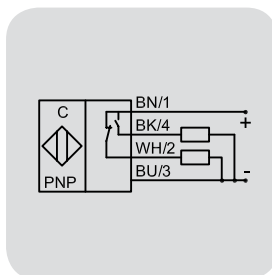
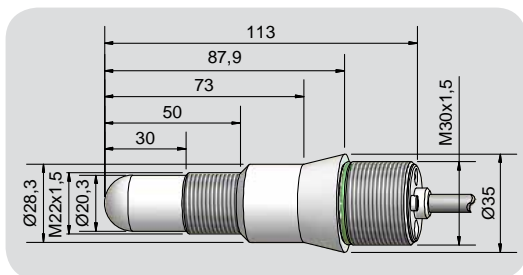


Technical data	Non-flush mountable
Level sensor, in contact with the product	Medium dependent adjustable
Operating distance min. / max. adjustable	0...20 mm
Electrical version	4-wire DC
Output function	Antivalent
Type PNP	KAS-80-26/113-A-M22-PTFE-Z03-1-E-HP
Art.-No.	KA 0431
Operating voltage (U_B)	10...35 V DC
Voltage drop max. (U_i)	≤ 2.0 V
Permitted residual ripple max.	10 %
Operating current (I_a)	2 x 0...250 mA
No-load current (I_o)	Typ. 15 mA
Frequency of operating cycles max.	50 Hz
Permitted ambient temperature	-25...+70 °C / CIP 121 °C (zero-current)
LED-display	Green / yellow
Protective circuit	Built-in
Degree of protection IEC 60529	IP 67*
Norm	EN 60947-5-2
Connection cable	3 m, PVC, 4 x 0.5 mm ²
Housing material	PTFE (FDA 21 CFR 177.1550)
Active surface	PTFE (FDA 21 CFR 177.1550)
Lid	PTFE (FDA 21 CFR 177.1550)
Media optimized	Yes
Accessories (not delivered with the sensor): Protection Set M30 / PTFE # 196302 please see our selection of accessories.	

Capacitive Sensors S26 with hemispherical active surface for level control of products with a dielectric constant ϵ_r as of 1,1. Products can be:

- Bulk material, like plastic granules, powder, cereals, etc.
- Liquids, like water, juice, wine, oil, chemicals or pharmaceutical solutions and much more.
- Pastes in the food processing industry, liquid glue, resins or glue, etc.

* With sealed potentiometer screw



Made in Germany

All specifications are subject to change without notice. (04/2017)



Capacitive Sensors S26 Series 80 - PNP

Type of construction F 30

- Special version with flange, double gasket for hole basis fitting \varnothing 30 mm.
- Housing material: PTFE
- Useable for an ambient temperature up to +100 °C
- With flange connector M 12 x 1



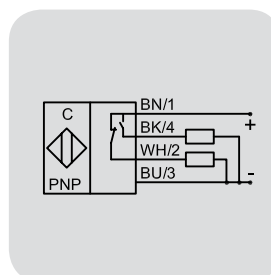
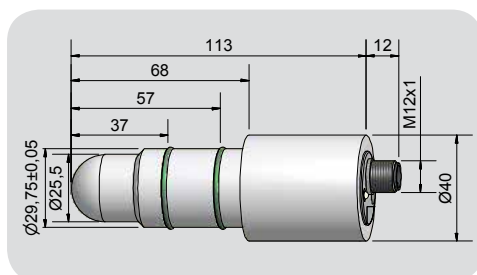
Technical data	Non-flush mountable
Level sensor, in contact with the product	Medium dependent adjustable
Operating distance min. / max. adjustable	0...20 mm
Electrical version	4-pin DC
Output function	Antivalent
Type PNP	KAS-80-26/113-A-F30-PTFE-100C-Y5-1-HP
Art.-No.	KA 0626
Operating voltage (U_B)	10...35 V DC
Voltage drop max. (U_d)	≤ 2.0 V
Permitted residual ripple max.	10 %
Operating current (I_e)	2 x 0...200 mA
No-load current (I_o)	Typ. 15 mA
Frequency of operating cycles max.	50 Hz
Permitted ambient temperature	-25...+100 °C / CIP 121 °C (zero-current)
LED-display	Green / yellow
Protective circuit	Built-in
Degree of protection IEC 60529	IP 67*
Norm	EN 60947-5-2
Connection	Flange connector M 12 x 1
Housing material	PTFE (FDA 21 CFR 177.1550)
Active surface	PTFE (FDA 21 CFR 177.1550)
Lid	PA
Media optimized	Yes
Accessories (not delivered with the sensor): For matching connectors please see our selection of accessories.	

Capacitive Sensors S26 with hemispherical active surface for level control of products with a dielectric constant ϵ_r as of 1,1. Products can be:

- Bulk material, like plastic granules, powder, cereals, etc.
- Liquids, like water, juice, wine, oil, chemicals or pharmaceutical solutions and much more.
- Pastes in the food processing industry, liquid glue, resins or glue, etc.

All specifications are subject to change without notice. (04/2017)

* With sealed potentiometer screw



Made in Germany



Capacitive Sensors S26 Series 80 - PNP

Type of construction F30

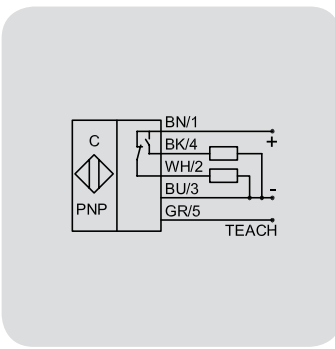
- Special version with flange, double gasket for hole basis fitting \varnothing 30 mm.
- Easy Teach by wire
- Housing material: PTFE
- Useable for an ambient temperature up to +100 °C
- With flange connector M 12 x 1



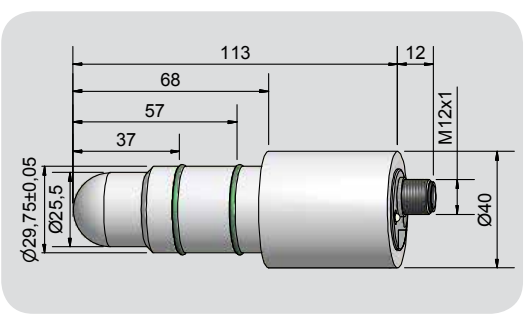
Technical data	Non-flush mountable
Level sensor, in contact with the product	Medium dependent adjustable
Operating distance min. / max. adjustable	0...20 mm
Electrical version	5-pin DC
Output function	Antivalent
Type PNP	KAS-80-26/113-A-F30-PTFE-100C-Y10-ETW-HP
Art.-No.	KA 0939
Operating voltage (U_B)	10...35 V DC
Voltage drop max. (U_d)	\leq 2.0 V
Permitted residual ripple max.	10 %
Operating current (I_a)	2 x 0...200 mA
No-load current (I_o)	Typ. 15 mA
Frequency of operating cycles max.	Max. 15 Hz
Permitted ambient temperature	-25...+100 °C / CIP 121 °C (zero-current)
LED-display	Green / yellow
Protective circuit	Built-in
Degree of protection IEC 60529	IP 67*
Norm	EN 60947-5-2
Connection	Flange connector M 12 x 1
Housing material	PTFE (FDA 21 CFR 177.1550)
Active surface	PTFE (FDA 21 CFR 177.1550)
Lid	PA
Media optimized	Yes
Accessories (not delivered with the sensor): For matching connectors please see our selection of accessories.	

Capacitive Sensors S26 with hemispherical active surface for level control of products with a dielectric constant ϵ_r as of 1,1. Products can be:

- Bulk material, like plastic granules, powder, cereals, etc.
- Liquids, like water, juice, wine, oil, chemicals or pharmaceutical solutions and much more.
- Pastes in the food processing industry, liquid glue, resins or glue, etc.



* Position of the EasyTeach button sealed with sealing screw



EasyTeach chart: LED / Output function
Yellow = A1 Green = A2

- [Green pulse] Adjustment "empty"
- [Green square wave] Initializing "empty"
- [Yellow pulse] Adjustment "full"
- [Yellow square wave] Initializing "full"
- [Green pulse] Factory reset
- [Yellow pulse] Test

Made in Germany

All specifications are subject to change without notice. (04/2017)



Capacitive Sensors S26 Series 80 - PNP

- Type of construction M 30 x 1.5
- Housing material: PTFE
 - With flange connector M 12 x 1



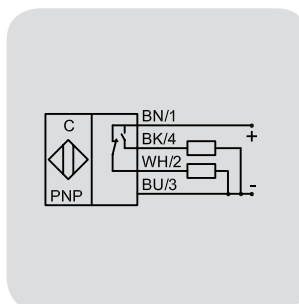
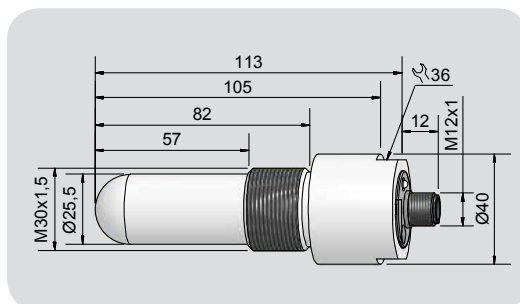
Technical data	Non-flush mountable
Level sensor, in contact with the product	Medium dependent adjustable
Operating distance min. / max. adjustable	0...20 mm
Electrical version	4-pin DC
Output function	Antivalent
Type PNP	KAS-80-26/113-A-M30-PTFE-Y5-1-HP
Art.-No.	KA 0689
Operating voltage (U_B)	10...35 V DC
Voltage drop max. (U_d)	≤ 2.0 V
Permitted residual ripple max.	10 %
Operating current (I_e)	2 x 0...250 mA
No-load current (I_o)	Typ. 15 mA
Frequency of operating cycles max.	50 Hz
Permitted ambient temperature	-25...+70 °C / CIP 121 °C (zero-current)
LED-display	Green / yellow
Protective circuit	Built-in
Degree of protection IEC 60529	IP 67*
Norm	EN 60947-5-2
Connection	Flange connector M 12 x 1
Housing material	PTFE (FDA 21 CFR 177.1550)
Active surface	PTFE (FDA 21 CFR 177.1550)
Lid	PA
Media optimized	Yes
Accessories (not delivered with the sensor): For matching connectors please see our selection of accessories.	

Capacitive Sensors S26 with hemispherical active surface for level control of products with a dielectric constant ϵ_r as of 1,1. Products can be:

- Bulk material, like plastic granules, powder, cereals, etc.
- Liquids, like water, juice, wine, oil, chemicals or pharmaceutical solutions and much more.
- Pastes in the food processing industry, liquid glue, resins or glue, etc.

All specifications are subject to change without notice. (04/2017)

* With sealed potentiometer screw



Made in Germany



Capacitive Sensors S26 Series 80 - PNP

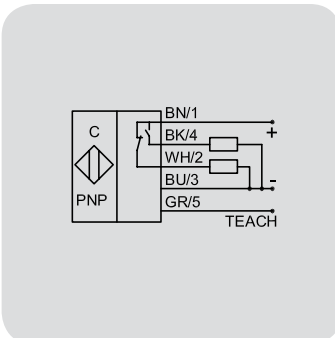
- Type of construction M 30 x 1.5
- Easy Teach by wire
 - Housing material: PTFE



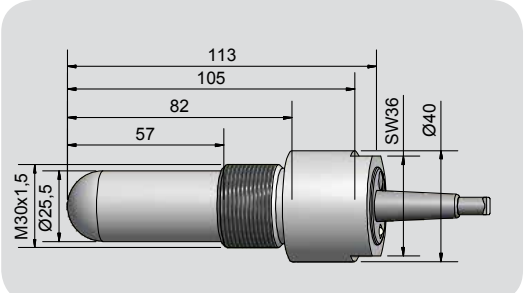
Technical data	Non-flush mountable
Level sensor, in contact with the product	Medium dependent adjustable
Operating distance min. / max. adjustable	0...20 mm
Electrical version	4-wire DC
Output function	Antivalent
Type PNP	KAS-80-26/113-A-M30-PTFE-Z03-ETW-HP
Art.-No.	KA 1037
Operating voltage (U _B)	10...35 V DC
Voltage drop max. (U _i)	≤ 2.0 V
Permitted residual ripple max.	10 %
Operating current (I _B)	2 x 0...250 mA
No-load current (I ₀)	Typ. 15 mA
Frequency of operating cycles max.	Max. 15 Hz
Permitted ambient temperature	-25...+70 °C / CIP 121 °C (zero-current)
LED-display	Green / yellow
Protective circuit	Built-in
Degree of protection IEC 60529	IP 67*
Norm	EN 60947-5-2
Connection cable	3 m, PVC, 5 x 0.34 mm ²
Housing material	PTFE (FDA 21 CFR 177.1550)
Active surface	PTFE (FDA 21 CFR 177.1550)
Lid	PA / PPO
Media optimized	Yes

Capacitive Sensors S26 with hemispherical active surface for level control of products with a dielectric constant ϵ_r as of 1,1. Products can be:

- Bulk material, like plastic granules, powder, cereals, etc.
- Liquids, like water, juice, wine, oil, chemicals or pharmaceutical solutions and much more.
- Pastes in the food processing industry, liquid glue, resins or glue, etc.



* Position of the EasyTeach button sealed with sealing screw



EasyTeach chart: LED / Output function
Yellow = A1 Green = A2

- Adjustment "empty"
- Initializing "empty"
- Adjustment "full"
- Initializing "full"
- Factory reset
- Test

Made in Germany

All specifications are subject to change without notice. (04/2017)



Capacitive Sensors S26

Series 70 - NPN
Series 80 - PNP

Type of construction G 1"
• Housing material: PTFE



Technical data	Non-flush mountable
Level sensor, in contact with the product	Medium dependent adjustable
Operating distance min. / max. adjustable	0...20 mm
Electrical version	4-wire DC
Output function	Antivalent
Type NPN	KAS-70-26/113-A-G1-PTFE-Z02-1-HP
Art.-No.	KA 1078
Connection diagram No.	3
Type PNP	KAS-80-26/113-A-G1-PTFE-Z02-1-HP
Art.-No.	813 100
Connection diagram No.	6
Operating voltage (U_B)	10...35 V DC
Voltage drop max. (U_o)	≤ 2.0 V
Permitted residual ripple max.	10 %
Operating current (I_o)	2 x 0...250 mA
No-load current (I_o)	Typ. 15 mA
Frequency of operating cycles max.	50 Hz
Permitted ambient temperature	-25...+70 °C / CIP 121 °C (zero-current)
LED-display	Green / yellow
Protective circuit	Built-in
Degree of protection IEC 60529	IP 67*
Norm	EN 60947-5-2
Connection cable	2 m, PVC, 4 x 0.5 mm ²
Housing material	PTFE (FDA 21 CFR 177.1550)
Active surface	PTFE (FDA 21 CFR 177.1550)
Lid	PA
Media optimized	Yes

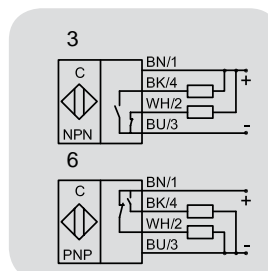
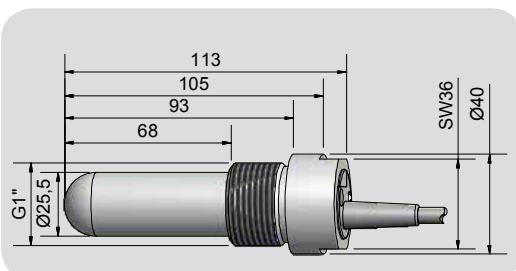
Accessories (not delivered with the sensor): For varivent adapter, triclamp adapter and welding socket please see our selection of accessories.

* With sealed potentiometer screw

Capacitive Sensors S26 with hemispherical active surface for level control of products with a dielectric constant ϵ_r as of 1,1. Products can be:

- Bulk material, like plastic granules, powder, cereals, etc.
- Liquids, like water, juice, wine, oil, chemicals or pharmaceutical solutions and much more.
- Pastes in the food processing industry, liquid glue, resins or glue, etc.

All specifications are subject to change without notice. (04/2017)



Made in Germany



Capacitive Sensors S26 Series 80 - PNP

Type of construction G 1"
• Housing material: PTFE

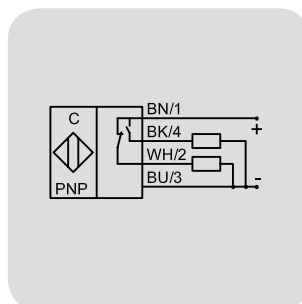
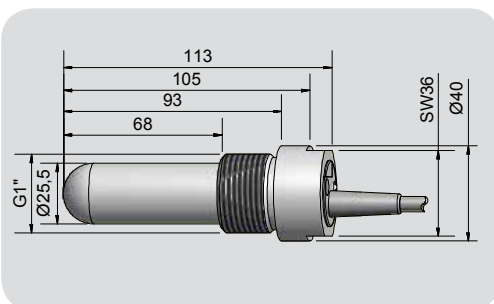


Technical data	Non-flush mountable
Level sensor, in contact with the product	Medium dependent adjustable
Operating distance min. / max. adjustable	0...20 mm
Electrical version	4-wire DC
Output function	Antivalent
Type PNP	KAS-80-26/113-A-G1-PTFE-Z10-1-HP
Art.-No.	KA 0266
Operating voltage (U_B)	10...35 V DC
Voltage drop max. (U_d)	≤ 2.0 V
Permitted residual ripple max.	10 %
Operating current (I_a)	2 x 0...250 mA
No-load current (I_o)	Typ. 15 mA
Frequency of operating cycles max.	50 Hz
Permitted ambient temperature	-25...+70 °C / CIP 121 °C (zero-current)
LED-display	Green / yellow
Protective circuit	Built-in
Degree of protection IEC 60529	IP 67*
Norm	EN 60947-5-2
Connection cable	10 m, PVC, 4 x 0.5 mm ²
Housing material	PTFE (FDA 21 CFR 177.1550)
Active surface	PTFE (FDA 21 CFR 177.1550)
Lid	PA
Media optimized	Yes
Accessories (not delivered with the sensor): For varivent adapter, triclamp adapter and welding socket please see our selection of accessories.	

Capacitive Sensors S26 with hemispherical active surface for level control of products with a dielectric constant ϵ_r as of 1,1. Products can be:

- Bulk material, like plastic granules, powder, cereals, etc.
- Liquids, like water, juice, wine, oil, chemicals or pharmaceutical solutions and much more.
- Pastes in the food processing industry, liquid glue, resins or glue, etc.

* With sealed potentiometer screw



Made in Germany

All specifications are subject to change without notice. (04/2017)



Capacitive Sensors S26 Series 80 - PNP

Type of construction G 1"

- Housing material: PTFE
- Special version with flange. Sealing can be made with a gasket or PTFE-tape (not delivered with the sensor)
- With Bluetooth function

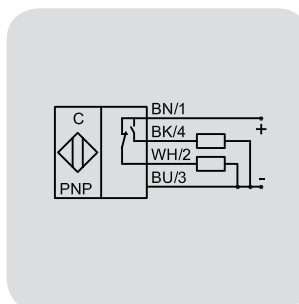
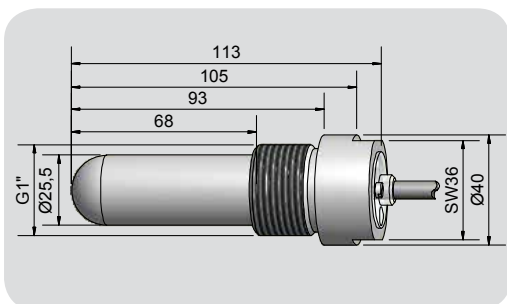


Technical data	Non-flush mountable
Level sensor, in contact with the product	Medium dependent adjustable
Operating distance min. / max. adjustable	0...20 mm
Electrical version	4-wire DC
Output	Antivalent (NO + NC)
Type PNP	KAS-80-26/113-A-G1-PTFE-Z02-BS-HP
Art.-No.	KA 1403
Operating voltage (U_B)	10...35 V DC
Voltage drop max. (U_d)	≤ 2.0 V
Permitted residual ripple max.	10 %
Operating current (I_B)	2 x 0...250 mA
No-load current (I_0)	Typ. 15 mA
Frequency of operating cycles max.	2 Hz
Permitted ambient temperature	-25...+70 °C
LED-display	Green / yellow
Protective circuit	Built-in
Degree of protection IEC 60529	IP 67
Norm	EN 60947-5-2
Connection cable	2 m, PVC, 4 x 0.5 mm ²
Housing material	PTFE (FDA 21 CFR 177.1550)
Active surface	PTFE (FDA 21 CFR 177.1550)
Lid	PA
Media optimized	Yes

Capacitive Sensors S26 with hemispherical active surface for level control of products with a dielectric constant ϵ_r as of 1,1. Products can be:

- Bulk materials, like plastic granules, powder, cereals, feedstuffs etc.
- Liquids, like water, juice, wine, oil, chemicals or pharmaceutical solutions and much more.
- Pastes in the food processing industry, liquid glue, resins or glue, etc.
- With Bluetooth control function for:
 - Sensor sensitivity
 - Optimal sensor adjustment
 - Deposits on the sensor surface.

All specifications are subject to change without notice. (04/2017)



Made in Germany



Capacitive Sensors S26 Series 80 - PNP

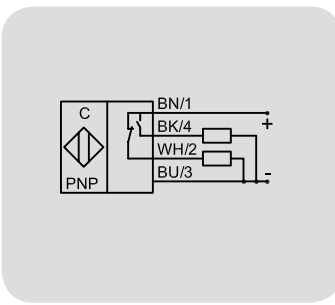
- Type of construction G 1"
- Easy Teach Push Button
 - Housing material: PTFE



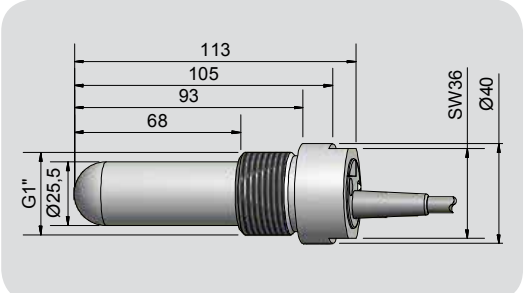
Technical data	Non-flush mountable
Level sensor, in contact with the product	Medium dependent adjustable
Operating distance min. / max. adjustable	0...20 mm
Electrical version	4-wire DC
Output function	Antivalent
Type PNP	KAS-80-26/113-A-G1-PTFE-Z02-ET-HP
Art.-No.	KA 1084
Operating voltage (U _B)	10...35 V DC
Voltage drop max. (U _d)	≤ 2.0 V
Permitted residual ripple max.	10 %
Operating current (I _B)	2 x 0...250 mA
No-load current (I ₀)	Typ. 15 mA
Frequency of operating cycles max.	Max. 15 Hz
Permitted ambient temperature	-25...+70 °C / CIP 121 °C (zero-current)
LED-display	Green / yellow
Protective circuit	Built-in
Degree of protection IEC 60529	IP 67*
Norm	EN 60947-5-2
Connection cable	2 m, PVC, 4 x 0.5 mm ²
Housing material	PTFE (FDA 21 CFR 177.1550)
Active surface	PTFE (FDA 21 CFR 177.1550)
Lid	PA / PPO
Media optimized	Yes
Accessories (not delivered with the sensor): For varivent adapter, triclamp adapter and welding socket please see our selection of accessories.	

Capacitive Sensors S26 with hemispherical active surface for level control of products with a dielectric constant ϵ_r as of 1,1. Products can be:

- Bulk material, like plastic granules, powder, cereals, etc.
- Liquids, like water, juice, wine, oil, chemicals or pharmaceutical solutions and much more.
- Pastes in the food processing industry, liquid glue, resins or glue, etc.



* Position of the EasyTeach button sealed with sealing screw



EasyTeach chart: LED / Output function
Yellow = A1 Green = A2

- [Green pulse] Adjustment "empty"
- [Green square wave] Initializing "empty"
- [Yellow pulse] Adjustment "full"
- [Yellow square wave] Initializing "full"
- [Green pulse] Factory reset
- [Yellow pulse] Test

Made in Germany

All specifications are subject to change without notice. (04/2017)



Capacitive Sensors S26 Series 80 - PNP

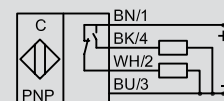
- Type of construction G 1"
- Easy Teach Push Button
 - Housing material: PTFE



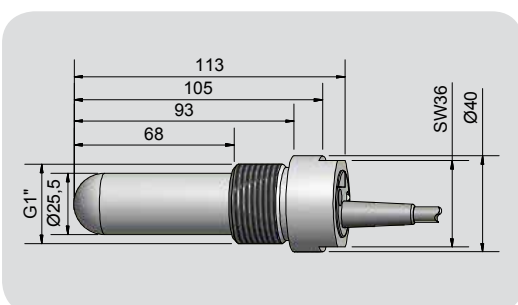
Technical data	Non-flush mountable
Level sensor, in contact with the product	Medium dependent adjustable
Operating distance min. / max. adjustable	0...20 mm
Electrical version	4-wire DC
Output function	Antivalent
Type PNP	KAS-80-26/113-A-G1-PTFE-Z02-ET-E-HP
Art.-No.	KA 0996
Operating voltage (U_B)	10...35 V DC
Voltage drop max. (U_d)	≤ 2.0 V
Permitted residual ripple max.	10 %
Operating current (I_o)	2 x 0...250 mA
No-load current (I_o)	Typ. 15 mA
Frequency of operating cycles max.	1 Hz
Permitted ambient temperature	-25...+70 °C / CIP 121 °C (zero-current)
LED-display	Green / yellow
Protective circuit	Built-in
Degree of protection IEC 60529	IP 67*
Norm	EN 60947-5-2
Connection cable	2 m, PVC, 4 x 0.5 mm ²
Housing material	PTFE (FDA 21 CFR 177.1550)
Active surface	PTFE (FDA 21 CFR 177.1550)
Lid	PA / PPO
Media optimized	Yes
Accessories (not delivered with the sensor): For varivent adapter, triclamp adapter and welding socket please see our selection of accessories.	

Capacitive Sensors S26 with hemispherical active surface for level control of products with a dielectric constant ϵ_r as of 1,1. Products can be:

- Bulk material, like plastic granules, powder, cereals, etc.
- Liquids, like water, juice, wine, oil, chemicals or pharmaceutical solutions and much more.
- Pastes in the food processing industry, liquid glue, resins or glue, etc.



All specifications are subject to change without notice. (04/2017)



EasyTeach chart: LED / Output function
Yellow = A1 Green = A2

- [Green pulse] Adjustment "empty"
- [Green pulse] Initializing "empty"
- [Yellow pulse] Adjustment "full"
- [Yellow pulse] Initializing "full"
- [Green pulse] Factory reset
- [Yellow pulse] Test

Made in Germany



Capacitive Sensors S26 Series 80 - PNP

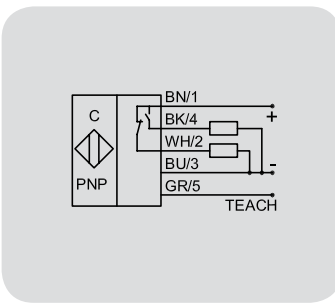
- Type of construction G 1"
- Easy Teach by wire
 - Housing material: PTFE



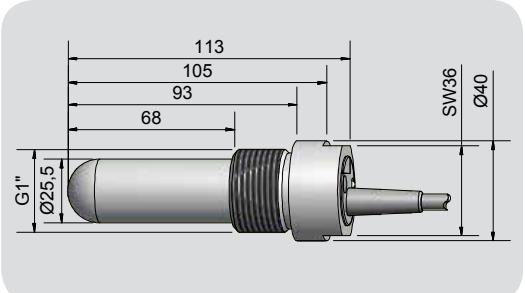
Technical data	Non-flush mountable
Level sensor, in contact with the product	Medium dependent adjustable
Operating distance min. / max. adjustable	0...20 mm
Electrical version	4-wire DC
Output function	Antivalent
Type PNP	KAS-80-26/113-A-G1-PTFE-Z02-ETW-HP
Art.-No.	KA 0984
Operating voltage (U_B)	10...35 V DC
Voltage drop max. (U_i)	≤ 2.0 V
Permitted residual ripple max.	10 %
Operating current (I_B)	2 x 0...250 mA
No-load current (I_0)	Typ. 15 mA
Frequency of operating cycles max.	Max. 15 Hz
Permitted ambient temperature	-25...+70 °C / CIP 121 °C (zero-current)
LED-display	Green / yellow
Protective circuit	Built-in
Degree of protection IEC 60529	IP 67*
Norm	EN 60947-5-2
Connection cable	2 m, PVC, 5 x 0.34 mm ²
Housing material	PTFE (FDA 21 CFR 177.1550)
Active surface	PTFE (FDA 21 CFR 177.1550)
Lid	PA / PPO
Media optimized	Yes
Accessories (not delivered with the sensor): For varivent adapter, triclamp adapter and welding socket please see our selection of accessories.	

Capacitive Sensors S26 with hemispherical active surface for level control of products with a dielectric constant ϵ_r as of 1,1. Products can be:

- Bulk material, like plastic granules, powder, cereals, etc.
- Liquids, like water, juice, wine, oil, chemicals or pharmaceutical solutions and much more.
- Pastes in the food processing industry, liquid glue, resins or glue, etc.



* Position of the EasyTeach button sealed with sealing screw



EasyTeach chart: LED / Output function

Yellow = A1 Green = A2

- [Green pulse] Adjustment "empty"
- [Green pulse] Initializing "empty"
- [Yellow pulse] Adjustment "full"
- [Yellow pulse] Initializing "full"
- [Green pulse] Factory reset
- [Yellow pulse] Test

Made in Germany

All specifications are subject to change without notice. (04/2017)



Capacitive Sensors S26

Series 70 - NPN
Series 80 - PNP

- Type of construction G 1"
- Housing material: PTFE
 - With flange connector M 12 x 1

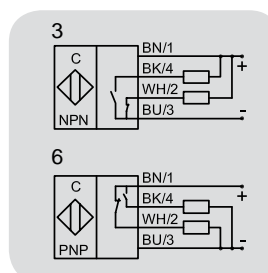
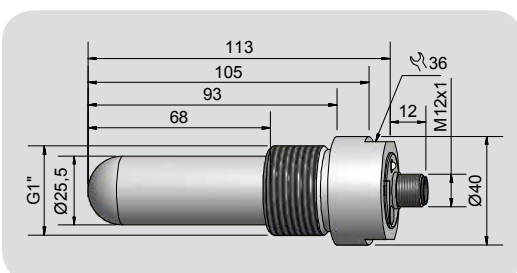


Technical data	Non-flush mountable
Level sensor, in contact with the product	Medium dependent adjustable
Operating distance min. / max. adjustable	0...20 mm
Electrical version	4-pin DC
Output function	Antivalent
Type NPN	KAS-70-26/113-A-G1-PTFE-Y5-1-HP
Art.-No.	KA 0844
Connection diagram No.	3
Type PNP	KAS-80-26/113-A-G1-PTFE-Y5-1-HP
Art.-No.	KA 0642
Connection diagram No.	6
Operating voltage (U_B)	10...35 V DC
Voltage drop max. (U_o)	≤ 2.0 V
Permitted residual ripple max.	10 %
Operating current (I_o)	2 x 0...250 mA
No-load current (I_o)	Typ. 15 mA
Frequency of operating cycles max.	50 Hz
Permitted ambient temperature	-25...+70 °C / CIP 121 °C (zero-current)
LED-display	Green / yellow
Protective circuit	Built-in
Degree of protection IEC 60529	IP 67*
Norm	EN 60947-5-2
Connection	Flange connector M 12 x 1
Housing material	PTFE (FDA 21 CFR 177.1550)
Active surface	PTFE (FDA 21 CFR 177.1550)
Lid	PA / PPO
Media optimized	Yes
Accessories (not delivered with the sensor): For varivent adapter, triclamp adapter, welding socket and matching connectors please see our selection of accessories.	

Capacitive Sensors S26 with hemispherical active surface for level control of products with a dielectric constant ϵ_r as of 1,1. Products can be:

- Bulk material, like plastic granules, powder, cereals, etc.
- Liquids, like water, juice, wine, oil, chemicals or pharmaceutical solutions and much more.
- Pastes in the food processing industry, liquid glue, resins or glue, etc.

All specifications are subject to change without notice. (04/2017)



Made in Germany



Capacitive Sensors S26 Series 80 - PNP

Type of construction G 1"

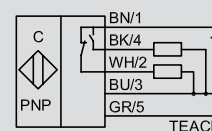
- Easy Teach by wire
- Housing material: PTFE
- With flange connector M 12 x 1



Technical data	Non-flush mountable
Level sensor, in contact with the product	Medium dependent adjustable
Operating distance min. / max. adjustable	0...20 mm
Electrical version	4 - pin DC
Output function	Antivalent
Type PNP	KAS-80-26/113-A-G1-PTFE-Y10-ETW-HP
Art.-No.	KA 1097
Operating voltage (U_B)	10...35 V DC
Voltage drop max. (U_d)	≤ 2.0 V
Permitted residual ripple max.	10 %
Operating current (I_o)	2 x 0...250 mA
No-load current (I_o)	Typ. 15 mA
Frequency of operating cycles max.	Max. 15 Hz
Permitted ambient temperature	-25...+70 °C / CIP 121 °C (zero-current)
LED-display	Green / yellow
Protective circuit	Built-in
Degree of protection IEC 60529	IP 67*
Norm	EN 60947-5-2
Connection	Flange connector M 12 x 1
Housing material	PTFE (FDA 21 CFR 177.1550)
Active surface	PTFE (FDA 21 CFR 177.1550)
Lid	PA / PPO
Media optimized	Yes

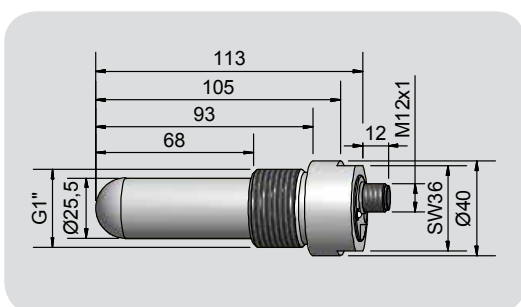
Capacitive Sensors S26 with hemispherical active surface for level control of products with a dielectric constant ϵ_r as of 1,1. Products can be:

- Bulk material, like plastic granules, powder, cereals, etc.
- Liquids, like water, juice, wine, oil, chemicals or pharmaceutical solutions and much more.
- Pastes in the food processing industry, liquid glue, resins or glue, etc.



Accessories (not delivered with the sensor): For varivent adapter, triclamp adapter, welding socket and matching connectors please see our selection of accessories.

* Position of the EasyTeach button sealed with sealing screw



EasyTeach chart: LED / Output function
Yellow = A1 Green = A2

- Adjustment "empty"
- Initializing "empty"
- Adjustment "full"
- Initializing "full"
- Factory reset
- Test

Made in Germany

All specifications are subject to change without notice. (04/2017)



Capacitive Sensors S26 Series 80 - PNP

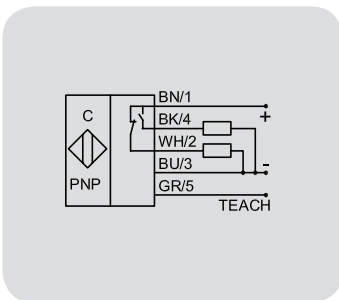
- Type of construction G 1"
- Easy Teach by wire
 - Housing material: PEEK
 - With flange connector M 12 x 1



Technical data	Non-flush mountable
Level sensor, in contact with the product	Medium dependent adjustable
Operating distance min. / max. adjustable	0...20 mm
Electrical version	4 - pin DC
Output function	Antivalent
Type PNP	KAS-80-26/113-A-G1-PEEK-Y10-ETW-HP
Art.-No.	KA 1392
Operating voltage (U_B)	10...35 V DC
Voltage drop max. (U_d)	≤ 2.0 V
Permitted residual ripple max.	10 %
Operating current (I_e)	2 x 0...250 mA
No-load current (I_o)	Typ. 15 mA
Frequency of operating cycles max.	Max. 15 Hz
Permitted ambient temperature	-25...+70 °C / CIP 121 °C (zero-current)
LED-display	Green / yellow
Protective circuit	Built-in
Degree of protection IEC 60529	IP 67*
Norm	EN 60947-5-2
Connection	Flange connector M 12 x 1
Housing material	PEEK (FDA 21 CFR 177.2415)
Active surface	PEEK (FDA 21 CFR 177.2415)
Lid	PA / PPO
Media optimized	Yes

Capacitive Sensors S26 with hemispherical active surface for level control of products with a dielectric constant ϵ_r as of 1,1. Products can be:

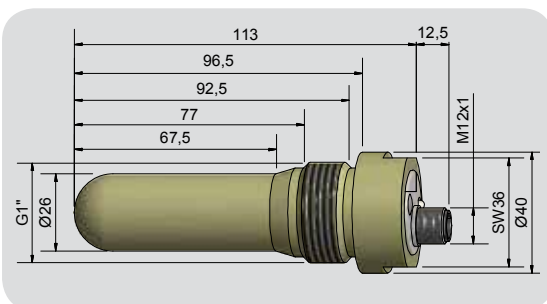
- Bulk material, like plastic granules, powder, cereals, etc.
- Liquids, like water, juice, wine, oil, chemicals or pharmaceutical solutions and much more.
- Pastes in the food processing industry, liquid glue, resins or glue, etc.



All specifications are subject to change without notice. (04/2017)

Accessories (not delivered with the sensor): For varivent adapter, triclamp adapter, welding socket and matching connectors please see our selection of accessories.

* Position of the EasyTeach button sealed with sealing screw



EasyTeach chart: LED / Output function
Yellow = A1 Green = A2

- [Green pulse] Adjustment "empty"
- [Green pulse] Initializing "empty"
- [Yellow pulse] Adjustment "full"
- [Yellow pulse] Initializing "full"
- [Green pulse] Factory reset
- [Yellow pulse] Test

Made in Germany



Capacitive Sensors S26 Series 80 - PNP

Type of construction G 1"
• Housing material: PP



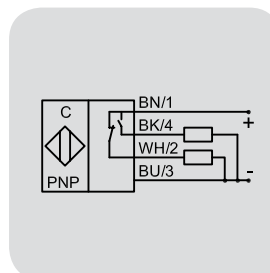
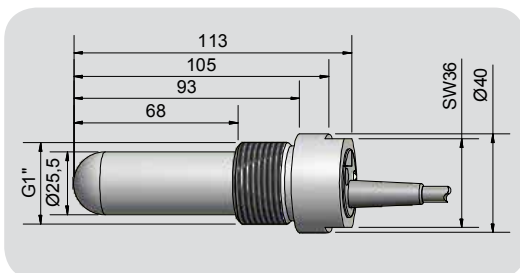
Technical data	Non-flush mountable
Level sensor, in contact with the product	Medium dependent adjustable
Operating distance min. / max. adjustable	0...15 mm
Electrical version	4-wire DC
Output function	Antivalent
Type PNP	KAS-80-26/113-A-G1-PP-Z02-1-NL
Art.-No.	KA 0872
Operating voltage (U_B)	12...30 V DC
Voltage drop max. (U_d)	≤ 2.0 V
Permitted residual ripple max.	5 %
Operating current (I_o)	2 x 0...200 mA
No-load current (I_o)	Typ. 15 mA
Frequency of operating cycles max.	50 Hz
Permitted ambient temperature	0...+70 °C
LED-display	Yellow
Protective circuit	Built-in
Degree of protection IEC 60529	IP 67*
Norm	EN 60947-5-2
Connection cable	2 m, PVC, 4 x 0.5 mm ²
Housing material	PP (FDA 21 CFR 177.1520)
Active surface	PP (FDA 21 CFR 177.1520)
Lid	PA / PPO

Capacitive Sensors S26 with hemispherical active surface for level control of products with a dielectric constant ϵ_r as of 1,1. Products can be:

- Bulk material, like plastic granules, powder, cereals, etc.
- Liquids, like water, juice, wine, oil, chemicals or pharmaceutical solutions and much more.
- Pastes in the food processing industry, liquid glue, resins or glue, etc.

Accessories (not delivered with the sensor): For varivent adapter, triclamp adapter and welding socket please see our selection of accessories.

* With sealed potentiometer screw



Made in Germany

All specifications are subject to change without notice. (04/2017)



Capacitive Sensors S26 Series 80 - PNP

Type of construction G 1"

- Housing material: PTFE
- Useable for an ambient temperature up to +100 °C



Technical data	Non-flush mountable
Level sensor, in contact with the product	Medium dependent adjustable
Operating distance min. / max. adjustable	0...20 mm
Electrical version	4-wire DC
Output function	Antivalent
Type PNP	KAS-80-26/113-A-G1-PTFE-100C-Z02-1-HP
Art.-No.	KA 0277
Operating voltage (U _B)	10...35 V DC
Voltage drop max. (U _d)	≤ 2.0 V
Permitted residual ripple max.	10 %
Operating current (I _e)	2 x 0...200 mA
No-load current (I _o)	Typ. 15 mA
Frequency of operating cycles max.	50 Hz
Permitted ambient temperature	-25...+100 °C / CIP 121 °C (zero-current)
LED-display	Green / yellow
Protective circuit	Built-in
Degree of protection IEC 60529	IP 67*
Norm	EN 60947-5-2
Connection cable	2 m, PVC, 4 x 0.5 mm ²
Housing material	PTFE (FDA 21 CFR 177.1550)
Active surface	PTFE (FDA 21 CFR 177.1550)
Lid	PA
Media optimized	Yes

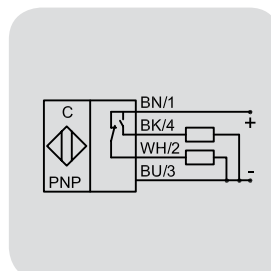
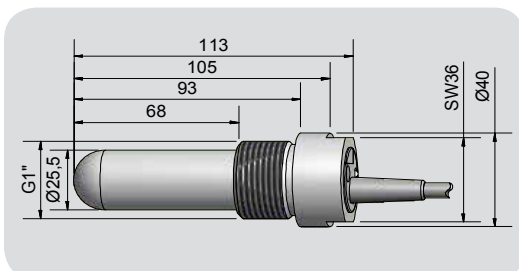
Accessories (not delivered with the sensor): For varivent adapter, triclamp adapter and welding socket please see our selection of accessories.

* With sealed potentiometer screw

Capacitive Sensors S26 with hemispherical active surface for level control of products with a dielectric constant ϵ_r as of 1,1. Products can be:

- Bulk material, like plastic granules, powder, cereals, etc.
- Liquids, like water, juice, wine, oil, chemicals or pharmaceutical solutions and much more.
- Pastes in the food processing industry, liquid glue, resins or glue, etc.

All specifications are subject to change without notice. (04/2017)



Made in Germany



Capacitive Sensors S26 Series 80 - PNP

- Type of construction G 1"
- Housing material: PTFE
 - Useable for an ambient temperature up to +100 °C
 - With flange connector M 12 x 1

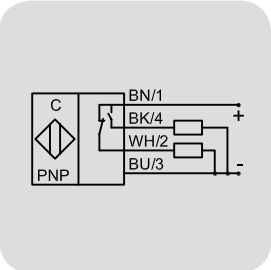
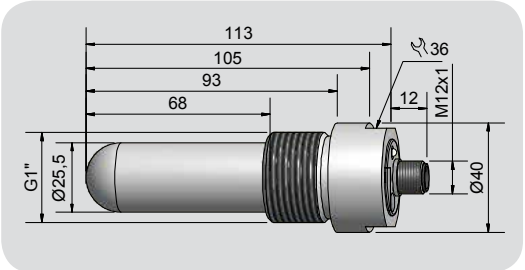


Technical data	Non-flush mountable
Level sensor, in contact with the product	Medium dependent adjustable
Operating distance min. / max. adjustable	0...20 mm
Electrical version	4-pin DC
Output function	Antivalent
Type PNP	KAS-80-26/113-A-G1-PTFE-100C-Y5-1-HP
Art.-No.	KA 0688
Operating voltage (U_B)	10...35 V DC
Voltage drop max. (U_d)	≤ 2.0 V
Permitted residual ripple max.	10 %
Operating current (I_o)	2 x 0...200 mA
No-load current (I_o)	Typ. 15 mA
Frequency of operating cycles max.	50 Hz
Permitted ambient temperature	-25...+100 °C / CIP 121 °C (zero-current)
LED-display	Green / yellow
Protective circuit	Built-in
Degree of protection IEC 60529	IP 67*
Norm	EN 60947-5-2
Connection	Flange connector M 12 x 1
Housing material	PTFE (FDA 21 CFR 177.1550)
Active surface	PTFE (FDA 21 CFR 177.1550)
Lid	PA
Media optimized	Yes
Accessories (not delivered with the sensor): For varivent adapter, triclamp adapter, welding socket and matching connectors please see our selection of accessories.	

Capacitive Sensors S26 with hemispherical active surface for level control of products with a dielectric constant ϵ_r as of 1,1. Products can be:

- Bulk material, like plastic granules, powder, cereals, etc.
- Liquids, like water, juice, wine, oil, chemicals or pharmaceutical solutions and much more.
- Pastes in the food processing industry, liquid glue, resins or glue, etc.

* With sealed potentiometer screw



Made in Germany

All specifications are subject to change without notice. (04/2017)



Capacitive Sensors S26 Series 80 - PNP

Type of construction G 1"

- Housing material: PTFE
- Useable for an ambient temperature up to +100 °C
- With flange connector M 12 x 1
- Plug connection not normconform
- Plug connection 1 = -, 3 = +, 4 = A



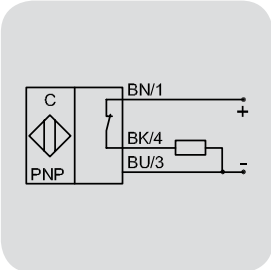
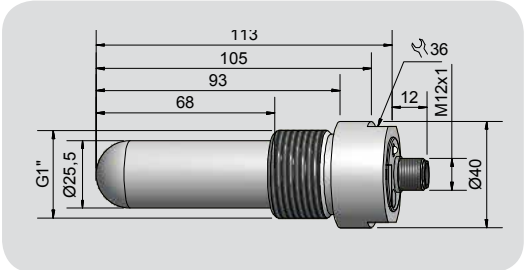
Technical data	Non-flush mountable
Level sensor, in contact with the product	Medium dependent adjustable
Operating distance min. / max. adjustable	0...20 mm
Electrical version	4-pin DC
Output function	Normally closed
Type PNP	KAS-80-26/113-Ö-G1-PTFE-100C-Y5-1-HP
Art.-No.	KA 1236
Operating voltage (U_B)	10...35 V DC
Voltage drop max. (U_d)	≤ 2.0 V
Permitted residual ripple max.	10 %
Operating current (I_o)	2 x 0...200 mA
No-load current (I_o)	Typ. 15 mA
Frequency of operating cycles max.	50 Hz
Permitted ambient temperature	-25...+100 °C / CIP 121 °C (zero-current)
LED-display	Green / yellow
Protective circuit	Built-in
Degree of protection IEC 60529	IP 67*
Norm	EN 60947-5-2
Connection	Flange connector M 12 x 1
Housing material	PTFE (FDA 21 CFR 177.1550)
Active surface	PTFE (FDA 21 CFR 177.1550)
Lid	PA
Media optimized	Yes
Accessories (not delivered with the sensor): For varivent adapter, triclamp adapter, welding socket and matching connectors please see our selection of accessories.	

Capacitive Sensors S26 with hemispherical active surface for level control of products with a dielectric constant ϵ_r as of 1,1. Products can be:

- Bulk material, like plastic granules, powder, cereals, etc.
- Liquids, like water, juice, wine, oil, chemicals or pharmaceutical solutions and much more.
- Pastes in the food processing industry, liquid glue, resins or glue, etc.

All specifications are subject to change without notice. (04/2017)

* With sealed potentiometer screw



Made in Germany



Capacitive Sensors S26 Series 80 - PNP

Type of construction G 1"

- Housing material: PTFE
- Useable for an ambient temperature up to +120 °C



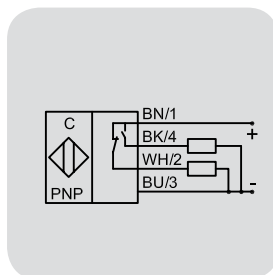
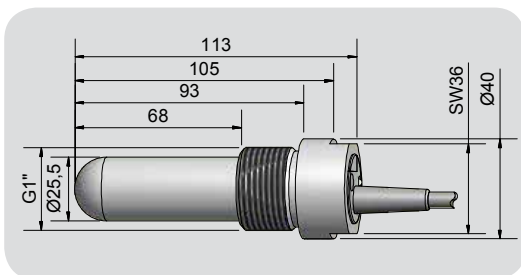
Technical data	Non-flush mountable
Level sensor, in contact with the product	Medium dependent adjustable
Operating distance min. / max. adjustable	0...15 mm
Electrical version	4-wire DC
Output function	Antivalent
Type PNP	KAS-80-26/113-A-G1-PTFE-120C-Z02-1-NL
Art.-No.	KA 0821
Operating voltage (U_B)	12...30 V DC
Voltage drop max. (U_i)	≤ 2.0 V
Permitted residual ripple max.	5 %
Operating current (I_B)	2 x 0...200 mA
No-load current (I_o)	Typ. 15 mA
Frequency of operating cycles max.	50 Hz
Permitted ambient temperature	-25...+120 °C / CIP 121 °C (zero-current)
LED-display	Yellow
Protective circuit	Built-in
Degree of protection IEC 60529	IP 67*
Norm	EN 60947-5-2
Connection cable	2 m, PVC, 4 x 0.5 mm ²
Housing material	PTFE (FDA 21 CFR 177.1550)
Active surface	PTFE (FDA 21 CFR 177.1550)
Lid	PA / PPO

Capacitive Sensors S26 with hemispherical active surface for level control of products with a dielectric constant ϵ_r as of 1,1. Products can be:

- Bulk material, like plastic granules, powder, cereals, etc.
- Liquids, like water, juice, wine, oil, chemicals or pharmaceutical solutions and much more.
- Pastes in the food processing industry, liquid glue, resins or glue, etc.

Accessories (not delivered with the sensor): For varivent adapter, triclamp adapter and welding socket please see our selection of accessories.

* With sealed potentiometer screw



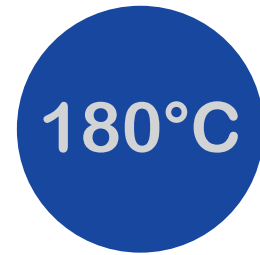
Made in Germany

All specifications are subject to change without notice. (04/2017)



Capacitive Sensors S26 Series 80 - PNP

- Process connection: G 1"
- Housing material: PTFE
 - Maximum ambient temperature 180 °C



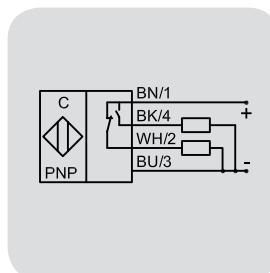
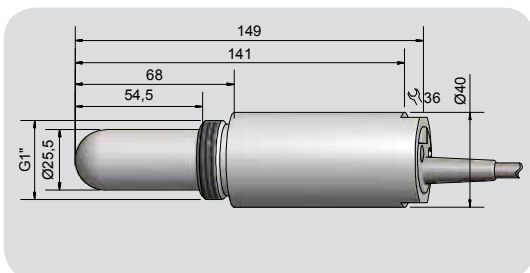
Technical data	Non-flush mountable
Level sensor, in contact with the product	Medium dependent adjustable
Operating distance min. / max. adjustable	0...20 mm
Electrical version	4-wire DC
Output function	Antivalent
Type PNP	KAS-80-26/150-A-G1-PTFE-180C-Z02-1-HP
Art.-No.	KA 1441
Operating voltage (U_B)	10...30 V DC
Voltage drop max. (U_d)	≤ 2.0 V
Permitted residual ripple max.	10 %
Operating current (I_e)	2 x 0...150 mA
No-load current (I_o)	Typ. 15 mA
Frequency of operating cycles max.	50 Hz
Permitted ambient temperature	-25...+80 °C
Permitted ambient temperature (for active zone)	-25...+180 °C
LED-display	Green / yellow
Protective circuit	Built-in
Degree of protection IEC 60529	IP 67*
Norm	EN 60947-5-2
Connection cable	2 m, PVC, 4 x 0.5 mm ²
Housing material	PTFE (FDA 21 CFR 177.1550)
Active surface	PTFE (FDA 21 CFR 177.1550)
Lid	PA
Media optimized	Yes
Accessories (not delivered with the sensor): For varivent adapter, triclamp adapter and welding socket please see our selection of accessories.	

Capacitive Sensors S26 with hemispherical active surface for level control of products with a dielectric constant ϵ_r as of 1,1. Products can be:

- Bulk material, like plastic granules, powder, cereals, etc.
- Liquids, like water, juice, wine, oil, chemicals or pharmaceutical solutions and much more.
- Pastes in the food processing industry, liquid glue, resins or glue, etc.

All specifications are subject to change without notice. (04/2017)

* With sealed potentiometer screw



Made in Germany



Capacitive Sensors S26

Series 70 - NPN

Series 80 - PNP

Type of construction G 1"

- Housing material: PTFE
- Special version with flange. Sealing can be made with a gasket or PTFE-tape (not delivered with the sensor)



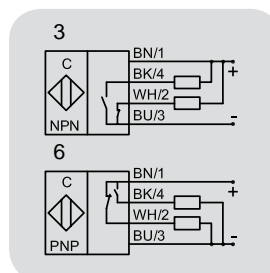
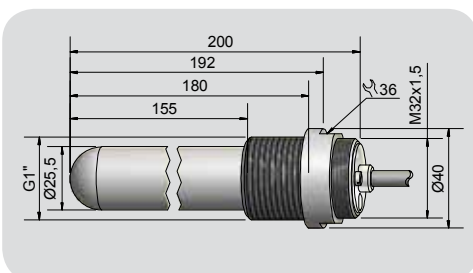
Technical data	Non-flush mountable
Level sensor, in contact with the product	Medium dependent adjustable
Operating distance min. / max. adjustable	0...20 mm
Electrical version	4-wire DC
Output function	Antivalent
Type NPN	KAS-70-26/200-A-G1-PTFE-Z02-1-HP
Art.-No.	KA 1287
Connection diagram No.	3
Type PNP	KAS-80-26/200-A-G1-PTFE-Z02-1-HP
Art.-No.	KA 0653
Connection diagram No.	6
Operating voltage (U _B)	10...35 V DC
Voltage drop max. (U _v)	≤ 2.0 V
Permitted residual ripple max.	10 %
Operating current (I _a)	2 x 0...250 mA
No-load current (I ₀)	Typ. 15 mA
Frequency of operating cycles max.	50 Hz
Permitted ambient temperature	-25...+70 °C / CIP 121 °C (zero-current)
LED-display	Green / yellow
Protective circuit	Built-in
Degree of protection IEC 60529	IP 67*
Norm	EN 60947-5-2
Connection cable	2 m, PVC, 4 x 0.5 mm ²
Housing material	PTFE (FDA 21 CFR 177.1550)
Active surface	PTFE (FDA 21 CFR 177.1550)
Lid	PC (FDA 21 CFR 177.1580)
Media optimized	Yes

Capacitive Sensors S26 with hemispherical active surface for level control of products with a dielectric constant ϵ_r as of 1,1. Products can be:

- Bulk material, like plastic granules, powder, cereals, etc.
- Liquids, like water, juice, wine, oil, chemicals or pharmaceutical solutions and much more.
- Pastes in the food processing industry, liquid glue, resins or glue, etc.

Accessories (not delivered with the sensor): For varivent adapter, triclamp adapter, welding socket and protection Set M32 / PTFE # 196301 please see our selection of accessories.

* With sealed potentiometer screw



Made in Germany

All specifications are subject to change without notice. (04/2017)



Capacitive Sensors S26 Series 80 - PNP

Type of construction G 1"

- Housing material: PTFE
- Special version with flange. Sealing can be made with a gasket or PTFE-tape (not delivered with the sensor)



Technical data	Non-flush mountable
Level sensor, in contact with the product	Medium dependent adjustable
Operating distance min. / max. adjustable	0...20 mm
Electrical version	4-wire DC
Output function	Antivalent
Type PNP	KAS-80-26/200-A-G1-PTFE-Z05-1-HP
Art.-No.	KA 0423
Operating voltage (U_B)	10...35 V DC
Voltage drop max. (U_d)	≤ 2.0 V
Permitted residual ripple max.	10 %
Operating current (I_e)	2 x 0...250 mA
No-load current (I_o)	Typ. 15 mA
Frequency of operating cycles max.	50 Hz
Permitted ambient temperature	-25...+70 °C / CIP 121 °C (zero-current)
LED-display	Green / yellow
Protective circuit	Built-in
Degree of protection IEC 60529	IP 67*
Norm	EN 60947-5-2
Connection cable	5 m, PTFE, 4 x 0.22 mm ²
Housing material	PTFE (FDA 21 CFR 177.1550)
Active surface	PTFE (FDA 21 CFR 177.1550)
Lid	PTFE (FDA 21 CFR 177.1550)
Media optimized	Yes

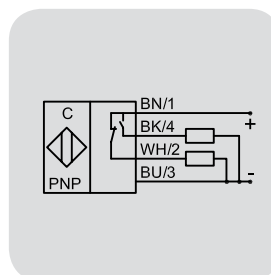
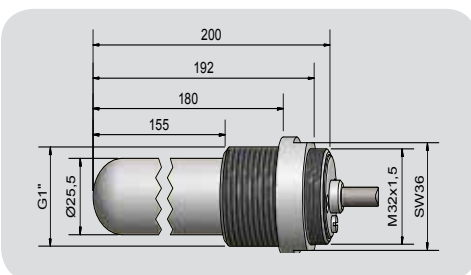
Accessories (not delivered with the sensor): For varivent adapter, triclamp adapter, welding socket and protection Set M32 / PTFE # 196301 please see our selection of accessories.

* With sealed potentiometer screw

Capacitive Sensors S26 with hemispherical active surface for level control of products with a dielectric constant ϵ_r as of 1,1. Products can be:

- Bulk material, like plastic granules, powder, cereals, etc.
- Liquids, like water, juice, wine, oil, chemicals or pharmaceutical solutions and much more.
- Pastes in the food processing industry, liquid glue, resins or glue, etc.

All specifications are subject to change without notice. (04/2017)



Made in Germany



Capacitive Sensors S26 Series 80 - PNP

Type of construction G 1"

- Housing material: PTFE
- Special version with flange. Sealing can be made with a gasket or PTFE-tape (not delivered with the sensor)



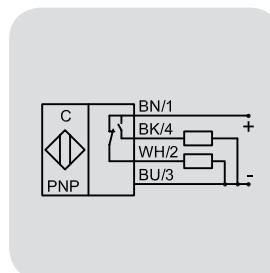
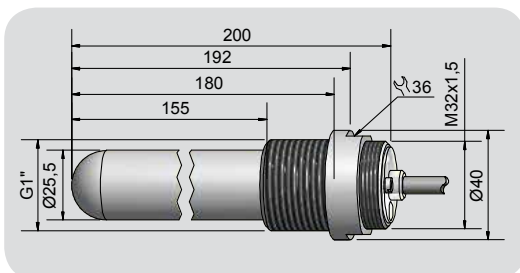
Technical data	Non-flush mountable
Level sensor, in contact with the product	Medium dependent adjustable
Operating distance min. / max. adjustable	0...20 mm
Electrical version	4-wire DC
Output function	Antivalent
Type PNP	KAS-80-26/200-A-G1-PTFE-Z10-1-HP
Art.-No.	KA 0843
Operating voltage (U_B)	10...35 V DC
Voltage drop max. (U_d)	≤ 2.0 V
Permitted residual ripple max.	10 %
Operating current (I_B)	2 x 0...250 mA
No-load current (I_o)	Typ. 15 mA
Frequency of operating cycles max.	50 Hz
Permitted ambient temperature	-25...+70 °C / CIP 121 °C (zero-current)
LED-display	Green / yellow
Protective circuit	Built-in
Degree of protection IEC 60529	IP 67*
Norm	EN 60947-5-2
Connection cable	10 m, PVC, 4 x 0.5 mm ²
Housing material	PTFE (FDA 21 CFR 177.1550)
Active surface	PTFE (FDA 21 CFR 177.1550)
Lid	PC (FDA 21 CFR 177.1580)
Media optimized	Yes

Capacitive Sensors S26 with hemispherical active surface for level control of products with a dielectric constant ϵ_r as of 1,1. Products can be:

- Bulk material, like plastic granules, powder, cereals, etc.
- Liquids, like water, juice, wine, oil, chemicals or pharmaceutical solutions and much more.
- Pastes in the food processing industry, liquid glue, resins or glue, etc.

Accessories (not delivered with the sensor): For varivent adapter, triclamp adapter, welding socket and protection Set M32 / PTFE # 196301 please see our selection of accessories.

* With sealed potentiometer screw



Made in Germany

All specifications are subject to change without notice. (04/2017)



Capacitive Sensors S26 Series 80 - PNP

Type of construction G 1"

- Easy Teach Push Button
- Housing material: PTFE
- Special version with flange. Sealing can be made with a gasket or PTFE-tape (not delivered with the sensor)



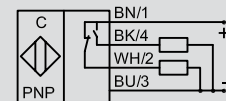
Technical data	Non-flush mountable
Level sensor, in contact with the product	Medium dependent adjustable
Operating distance min. / max. adjustable	0...20 mm
Electrical version	4-wire DC
Output function	Antivalent
Type PNP	KAS-80-26/200-A-G1-PTFE-Z02-ET-HP
Art.-No.	KA 1255
Operating voltage (U_B)	10...35 V DC
Voltage drop max. (U_d)	≤ 2.0 V
Permitted residual ripple max.	10 %
Operating current (I_e)	2 x 0...250 mA
No-load current (I_o)	Typ. 15 mA
Frequency of operating cycles max.	Max. 15 Hz
Permitted ambient temperature	-25...+70 °C / CIP 121 °C (zero-current)
LED-display	Green / yellow
Protective circuit	Built-in
Degree of protection IEC 60529	IP 67*
Norm	EN 60947-5-2
Connection cable	2 m, PVC, 4 x 0.5 mm ²
Housing material	PTFE (FDA 21 CFR 177.1550)
Active surface	PTFE (FDA 21 CFR 177.1550)
Lid	PC (FDA 21 CFR 177.1580)
Media optimized	Yes

Capacitive Sensors S26 with hemispherical active surface for level control of products with a dielectric constant ϵ_r as of 1,1. Products can be:

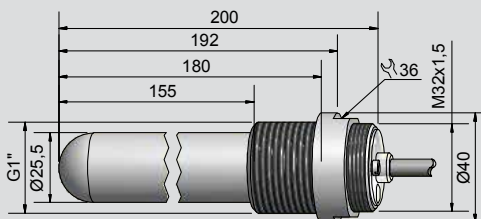
- Bulk material, like plastic granules, powder, cereals, etc.
- Liquids, like water, juice, wine, oil, chemicals or pharmaceutical solutions and much more.
- Pastes in the food processing industry, liquid glue, resins or glue, etc.

Accessories (not delivered with the sensor): For varivent adapter, triclamp adapter, welding socket and protection Set M32 / PTFE # 196301 please see our selection of accessories.

* Position of the EasyTeach button sealed with sealing screw



All specifications are subject to change without notice. (04/2017)



EasyTeachchart: LED / Output function
Yellow = A1 Green = A2

- [Green pulse] Adjustment "empty"
- [Green pulse] Initializing "empty"
- [Yellow pulse] Adjustment "full"
- [Yellow pulse] Initializing "full"
- [Green pulse] Factory reset
- [Yellow pulse] Test

Made in Germany



Capacitive Sensors S26 Series 80 - PNP

Type of construction G 1"

- Housing material: PTFE
- Special version with flange. Sealing can be made with a gasket or PTFE-tape (not delivered with the sensor)
- With flange connector M 12 x 1



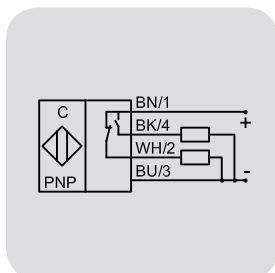
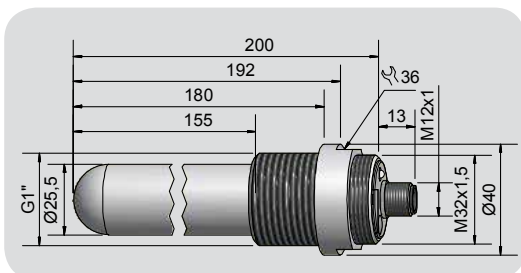
Technical data	Non-flush mountable
Level sensor, in contact with the product	Medium dependent adjustable
Operating distance min. / max. adjustable	0...20 mm
Electrical version	4-pin DC
Output function	Antivalent
Type PNP	KAS-80-26/200-A-G1-PTFE-Y5-1-HP
Art.-No.	KA 0686
Operating voltage (U_B)	10...35 V DC
Voltage drop max. (U_d)	≤ 2.0 V
Permitted residual ripple max.	10 %
Operating current (I_B)	2 x 0...250 mA
No-load current (I_o)	Typ. 15 mA
Frequency of operating cycles max.	50 Hz
Permitted ambient temperature	-25...+70 °C / CIP 121 °C (zero-current)
LED-display	Green / yellow
Protective circuit	Built-in
Degree of protection IEC 60529	IP 67*
Norm	EN 60947-5-2
Connection	Flange connector M 12 x 1
Housing material	PTFE (FDA 21 CFR 177.1550)
Active surface	PTFE (FDA 21 CFR 177.1550)
Lid	PA
Media optimized	Yes

Capacitive Sensors S26 with hemispherical active surface for level control of products with a dielectric constant ϵ_r as of 1,1. Products can be:

- Bulk material, like plastic granules, powder, cereals, etc.
- Liquids, like water, juice, wine, oil, chemicals or pharmaceutical solutions and much more.
- Pastes in the food processing industry, liquid glue, resins or glue, etc.

Accessories (not delivered with the sensor): For varivent adapter, triclamp adapter, welding socket and matching connectors please see our selection of accessories.

* With sealed potentiometer screw



Made in Germany

All specifications are subject to change without notice. (04/2017)



Capacitive Sensors S26 Series 80 - PNP

Type of construction G 1"

- Housing material: PTFE
- Useable for an ambient temperature up to +100 °C
- Special version with flange. Sealing can be made with a gasket or PTFE-tape (not delivered with the sensor)
- With flange connector M 12 x 1



Technical data	Non-flush mountable
Level sensor, in contact with the product	Medium dependent adjustable
Operating distance min. / max. adjustable	0...20 mm
Electrical version	4-pin DC
Output function	Antivalent
Type PNP	KAS-80-26/200-A-G1-PTFE-100C-Y5-1-HP
Art.-No.	KA 0687
Operating voltage (U_B)	10...35 V DC
Voltage drop max. (U_d)	≤ 2.0 V
Permitted residual ripple max.	10 %
Operating current (I_o)	2 x 0...200 mA
No-load current (I_o)	Typ. 15 mA
Frequency of operating cycles max.	50 Hz
Permitted ambient temperature	-25...+100 °C / CIP 121 °C (zero-current)
LED-display	Green / yellow
Protective circuit	Built-in
Degree of protection IEC 60529	IP 67*
Norm	EN 60947-5-2
Connection	Flange connector M 12 x 1
Housing material	PTFE (FDA 21 CFR 177.1550)
Active surface	PTFE (FDA 21 CFR 177.1550)
Lid	PA
Media optimized	Yes

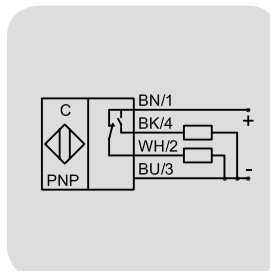
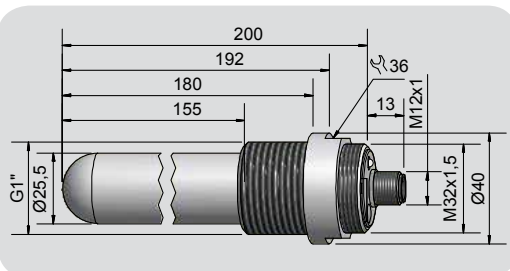
Accessories (not delivered with the sensor): For varivent adapter, triclamp adapter, welding socket and matching connectors please see our selection of accessories.

* With sealed potentiometer screw

Capacitive Sensors S26 with hemispherical active surface for level control of products with a dielectric constant ϵ_r as of 1,1. Products can be:

- Bulk material, like plastic granules, powder, cereals, etc.
- Liquids, like water, juice, wine, oil, chemicals or pharmaceutical solutions and much more.
- Pastes in the food processing industry, liquid glue, resins or glue, etc.

All specifications are subject to change without notice. (04/2017)



Made in Germany



Capacitive Sensors S26 Series 80 - PNP

Type of construction G 1"

- Housing material: PTFE
- With flange connector M 12 x 1



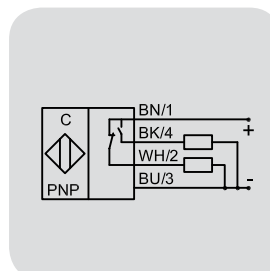
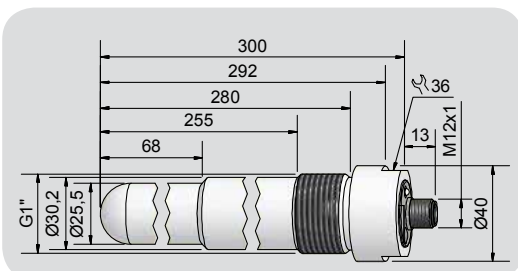
Technical data	Non-flush mountable
Level sensor, in contact with the product	Medium dependent adjustable
Operating distance min. / max. adjustable	0...20 mm
Electrical version	4-pin DC
Output function	Antivalent
Type PNP	KAS-80-26/300-A-G1-PTFE-Y5-1-HP
Art.-No.	KA 0682
Operating voltage (U_B)	10...35 V DC
Voltage drop max. (U_i)	≤ 2.0 V
Permitted residual ripple max.	10 %
Operating current (I_B)	2 x 0...250 mA
No-load current (I_o)	Typ. 15 mA
Frequency of operating cycles max.	50 Hz
Permitted ambient temperature	-25...+70 °C / CIP 121 °C (zero-current)
LED-display	Green / yellow
Protective circuit	Built-in
Degree of protection IEC 60529	IP 67*
Norm	EN 60947-5-2
Connection	Flange connector M 12 x 1
Housing material	PTFE (FDA 21 CFR 177.1550)
Active surface	PTFE (FDA 21 CFR 177.1550)
Lid	PA
Media optimized	Yes

Capacitive Sensors S26 with hemispherical active surface for level control of products with a dielectric constant ϵ_r as of 1,1. Products can be:

- Bulk material, like plastic granules, powder, cereals, etc.
- Liquids, like water, juice, wine, oil, chemicals or pharmaceutical solutions and much more.
- Pastes in the food processing industry, liquid glue, resins or glue, etc.

Accessories (not delivered with the sensor): For varivent adapter, triclamp adapter, welding socket and matching connectors please see our selection of accessories.

* With sealed potentiometer screw



Made in Germany

All specifications are subject to change without notice. (04/2017)



Capacitive Sensors S26 Series 80 - PNP

Type of construction G 1"

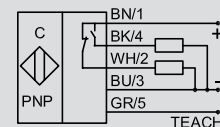
- Easy Teach by wire
- Connection head and process connection stainless steel VA no. 1.4404 / AISI 316L
- Housing material: Polypropylene (PP)
- Bodylength 416 mm
- Other bodylengths on request



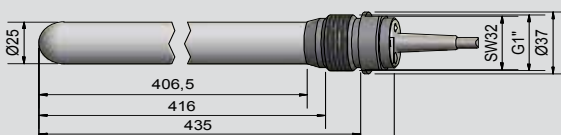
Technical data	Non-flush mountable
Level sensor, in contact with the product	Medium dependent adjustable
Operating distance min. / max. programmable	0...15 mm
Electrical version	4-wire DC
Output function	Antivalent
Type PNP	KAS-80-26/416-A-G1-PP/VAc-Z02-ETW-HP
Art.-No.	KA 1294
Operating voltage (U_B)	10...35 V DC
Voltage drop max. (U_o)	≤ 2.0 V
Permitted residual ripple max.	10%
Operating current (I_o)	2 x 0...250 mA
No-load current (I_o)	Typ. 15 mA
Frequency of operating cycles max.	15 Hz
Permitted ambient temperature	0...+70 °C
LED-display	Green / yellow
Protective circuit	Built-in
Degree of protection IEC 60529	IP 67
Norm	EN 60947-5-2
Connection cable	2 m, PVC, 5 x 0.34 mm ²
Housing material process connection	VA, No.1.4404 / AISI 316L (FDA conforming)
Active surface	Polypropylene (PP) (FDA 21 CFR 177.1520)
Lid	PA / PPO
Media optimized	Yes

Capacitive Sensors S26 with hemispherical active surface for level control of products with a dielectric constant ϵ_r as of 1,1. Products can be:

- Bulk material, like plastic granules, powder, cereals, etc.
- Liquids, like water, juice, wine, oil, chemicals and much more.



All specifications are subject to change without notice. (04/2017)



- EasyTeach chart:** LED / Output function
Yellow = A1 Green = A2
- [Green square wave] Adjustment "empty"
 - [Green square wave] Initializing "empty"
 - [Yellow square wave] Adjustment "full"
 - [Yellow square wave] Initializing "full"
 - [Green square wave] Factory reset
 - [Yellow square wave] Test

Made in Germany



Capacitive Sensors S26 Series 80 - PNP

Type of construction G 1"

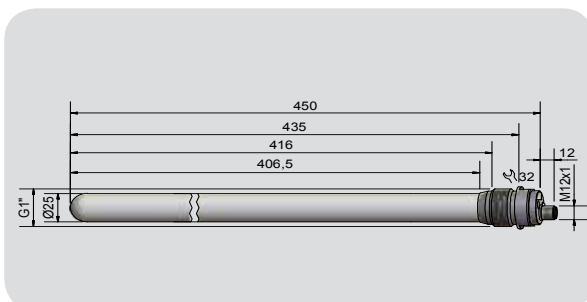
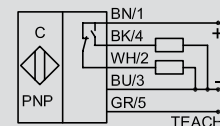
- Easy Teach by wire
- Connection head and process connection stainless steel VA no. 1.4404 / AISI 316L
- Housing material: Polypropylene (PP)
- Bodylength 416 mm
- Other bodylengths on request
- With flange connector M 12 x 1



Technical data	Non-flush mountable
Level sensor, in contact with the product	Medium dependent adjustable
Operating distance min. / max. programmable	0...15 mm
Electrical version	4-pin DC
Output function	Antivalent
Type PNP	KAS-80-26/416-A-G1-PP/VAc-Y10-ETW-HP
Art.-No.	KA 1375
Operating voltage (U_B)	10...35 V DC
Voltage drop max. (U_v)	≤ 2.0 V
Permitted residual ripple max.	10 %
Operating current (I_B)	2 x 0...250 mA
No-load current (I_0)	Typ. 15 mA
Frequency of operating cycles max.	15 Hz
Permitted ambient temperature	0...+70 °C
LED-display	Green / yellow
Protective circuit	Built-in
Degree of protection IEC 60529	IP 67
Norm	EN 60947-5-2
Connection	Flange connector M 12 x 1
Housing material process connection	VA, No.1.4404 / AISI 316L (FDA conforming)
Active surface	Polypropylene (PP) (FDA 21 CFR 177.1520)
Lid	PA / PPO
Media optimized	Yes

Capacitive Sensors S26 with hemispherical active surface for level control of products with a dielectric constant ϵ_r as of 1,1. Products can be:

- Bulk material, like plastic granules, powder, cereals, etc.
- Liquids, like water, juice, wine, oil, chemicals and much more.



EasyTeach chart: LED / Output function
Yellow = A1 Green = A2

- Adjustment "empty"
- Initializing "empty"
- Adjustment "full"
- Initializing "full"
- Factory reset
- Test

Made in Germany

All specifications are subject to change without notice. (04/2017)



Capacitive Sensors S26

Series 70 - NPN

Series 80 - PNP

Type of construction Triclamp DN 25

- Housing material: PTFE
- Useable for an ambient temperature up to +100 °C



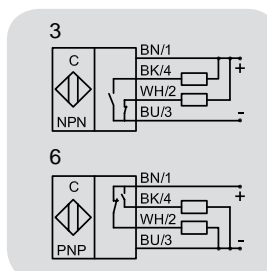
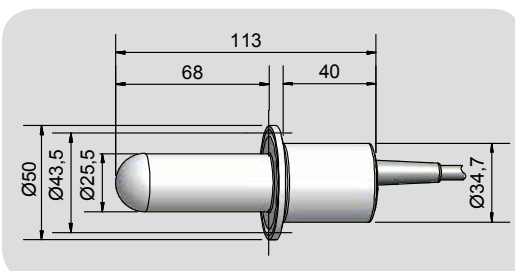
Technical data	Non-flush mountable
Level sensor, in contact with the product	Medium dependent adjustable
Operating distance min. / max. adjustable	0...20 mm
Electrical version	4-wire DC
Output function	Antivalent
Type NPN	KAS-70-26/113-A-TRI-PTFE-100C-Z02-1-HP
Art.-No.	KA 1025
Connection diagram No.	3
Type PNP	KAS-80-26/113-A-TRI-PTFE-100C-Z02-1-HP
Art.-No.	KA 0415
Connection diagram No.	6
Operating voltage (U_B)	10...35 V DC
Voltage drop max. (U_d)	≤ 2.0 V
Permitted residual ripple max.	10 %
Operating current (I_o)	2 x 0...200 mA
No-load current (I_o)	Typ. 15 mA
Frequency of operating cycles max.	50 Hz
Permitted ambient temperature	-25...+100 °C / CIP 121 °C (zero-current)
LED-display	Green / yellow
Protective circuit	Built-in
Degree of protection IEC 60529	IP 67*
Norm	EN 60947-5-2
Connection cable	2 m, PVC, 4 x 0.5 mm ²
Housing material	PTFE (FDA 21 CFR 177.1550)
Active surface	PTFE (FDA 21 CFR 177.1550)
Lid	PA
Media optimized	Yes

Capacitive Sensors S26 with hemispherical active surface for level control of products with a dielectric constant ϵ_r as of 1,1. Products can be:

- Bulk material, like plastic granules, powder, cereals, etc.
- Liquids, like water, juice, wine, oil, chemicals or pharmaceutical solutions and much more.
- Pastes in the food processing industry, liquid glue, resins or glue, etc.

Accessories (not delivered with the sensor): Stainless steel welding nipple DN 25 # 190751, Sealing gasket # 190752, Triclamp mounting clamp # 190750 please see our selection of accessories.

* With sealed potentiometer screw



All specifications are subject to change without notice. (04/2017)

Made in Germany



Capacitive Sensors S26 Series 80 - PNP

Type of construction Triclamp DN 25

- Housing material: PTFE
- Useable for an ambient temperature up to +100 °C
- With flange connector M 12 x 1

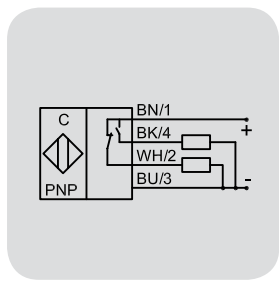
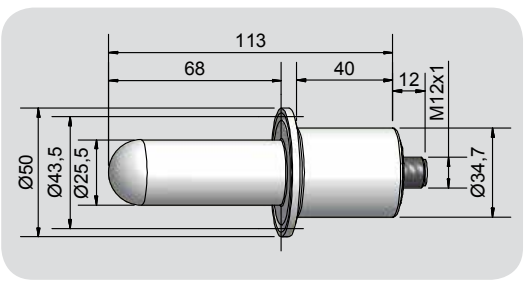


Technical data	Non-flush mountable
Level sensor, in contact with the product	Medium dependent adjustable
Operating distance min. / max. adjustable	0...20 mm
Electrical version	4-pin DC
Output function	Antivalent
Type PNP	KAS-80-26/113-A-TRI-PTFE-100C-Y5-1-HP
Art.-No.	KA 0662
Operating voltage (U_B)	10...35 V DC
Voltage drop max. (U_d)	≤ 2.0 V
Permitted residual ripple max.	10 %
Operating current (I_B)	2 x 0...200 mA
No-load current (I_o)	Typ. 15 mA
Frequency of operating cycles max.	50 Hz
Permitted ambient temperature	-25...+100 °C / CIP 121 °C (zero-current)
LED-display	Green / yellow
Protective circuit	Built-in
Degree of protection IEC 60529	IP 67*
Norm	EN 60947-5-2
Connection	Flange connector M 12 x 1
Housing material	PTFE (FDA 21 CFR 177.1550)
Active surface	PTFE (FDA 21 CFR 177.1550)
Lid	PA
Media optimized	Yes
Accessories (not delivered with the sensor): Stainless steel welding nipple DN 25 # 190751, Sealing gasket # 190752, Triclamp mounting clamp # 190750 and matching connectors please see our selection of accessories.	

Capacitive Sensors S26 with hemispherical active surface for level control of products with a dielectric constant ϵ_r as of 1,1. Products can be:

- Bulk material, like plastic granules, powder, cereals, etc.
- Liquids, like water, juice, wine, oil, chemicals or pharmaceutical solutions and much more.
- Pastes in the food processing industry, liquid glue, resins or glue, etc.

* With sealed potentiometer screw



Made in Germany

All specifications are subject to change without notice. (04/2017)



Capacitive Sensors S26 Series 80 - PNP

Type of construction Triclamp DN 25

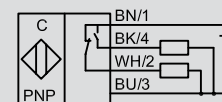
- Easy Teach Push Button
- Housing material: PTFE
- Useable for an ambient temperature up to +100 °C
- With flange connector M 12 x 1



Technical data	Non-flush mountable
Level sensor, in contact with the product	Medium dependent adjustable
Operating distance min. / max. adjustable	0...20 mm
Electrical version	4-pin DC
Output function	Antivalent
Type PNP	KAS-80-26/113-A-TRI-PTFE-100C-Y5-ET-HP
Art.-No.	KA 1214
Operating voltage (U_B)	10...35 V DC
Voltage drop max. (U_d)	≤ 2.0 V
Permitted residual ripple max.	10 %
Operating current (I_e)	2 x 0...200 mA
No-load current (I_o)	Typ. 15 mA
Frequency of operating cycles max.	Max. 15 Hz
Permitted ambient temperature	-25...+100 °C / CIP 121 °C (zero-current)
LED-display	Green / yellow
Protective circuit	Built-in
Degree of protection IEC 60529	IP 67*
Norm	EN 60947-5-2
Connection	Flange connector M 12 x 1
Housing material	PTFE (FDA 21 CFR 177.1550)
Active surface	PTFE (FDA 21 CFR 177.1550)
Lid	PA
Media optimized	Yes
Accessories (not delivered with the sensor): Stainless steel welding nipple DN 25 # 190751, Sealing gasket # 190752, Triclamp mounting clamp # 190750 and matching connectors please see our selection of accessories.	

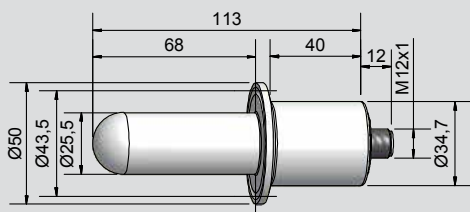
Capacitive Sensors S26 with hemispherical active surface for level control of products with a dielectric constant ϵ_r as of 1,1. Products can be:

- Bulk material, like plastic granules, powder, cereals, etc.
- Liquids, like water, juice, wine, oil, chemicals or pharmaceutical solutions and much more.
- Pastes in the food processing industry, liquid glue, resins or glue, etc.



All specifications are subject to change without notice. (04/2017)

* Position of the EasyTeach button sealed with sealing screw



- EasyTeach chart:** LED / Output function
Yellow = A1 Green = A2
- [Green pulse] Adjustment "empty"
 - [Green square wave] Initializing "empty"
 - [Yellow pulse] Adjustment "full"
 - [Yellow square wave] Initializing "full"
 - [Green pulse] Factory reset
 - [Yellow pulse] Test

Made in Germany



Capacitive Sensors S26 Series 80 - PNP

Type of construction 2 x Triclamp DN 25

- Housing material: PTFE
- Useable for an ambient temperature up to +100 °C
- With flange connector M 12 x 1

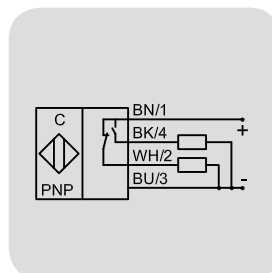
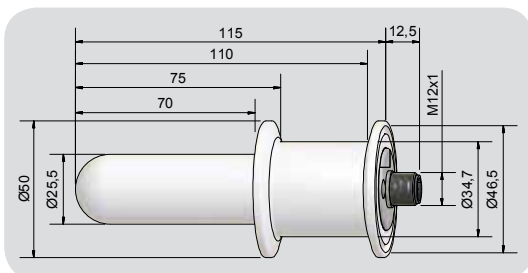


Technical data	Non-flush mountable
Level sensor, in contact with the product	Medium dependent adjustable
Operating distance min. / max. adjustable	0...20 mm
Electrical version	4-pin DC
Output function	Antivalent
Type PNP	KAS-80-26/113-A-TRI-PTFE-100C-Y5-1-E-HP
Art.-No.	KA 0656
Operating voltage (U_B)	10...35 V DC
Voltage drop max. (U_d)	≤ 2.0 V
Permitted residual ripple max.	10 %
Operating current (I_B)	2 x 0...200 mA
No-load current (I_o)	Typ. 15 mA
Frequency of operating cycles max.	50 Hz
Permitted ambient temperature	-25...+100 °C / CIP 121 °C (zero-current)
LED-display	Green / yellow
Protective circuit	Built-in
Degree of protection IEC 60529	IP 67*
Norm	EN 60947-5-2
Connection	Flange connector M 12 x 1
Housing material	PTFE (FDA 21 CFR 177.1550)
Active surface	PTFE (FDA 21 CFR 177.1550)
Lid	PA
Media optimized	Yes
Accessories (not delivered with the sensor): Stainless steel welding nipple DN 25 # 190751, Sealing gasket # 190752, Triclamp mounting clamp # 190750, sealing cap # 196366 and matching connectors please see our selection of accessories.	

Capacitive Sensors S26 with hemispherical active surface for level control of products with a dielectric constant ϵ_r as of 1,1. Products can be:

- Bulk material, like plastic granules, powder, cereals, etc.
- Liquids, like water, juice, wine, oil, chemicals or pharmaceutical solutions and much more.
- Pastes in the food processing industry, liquid glue, resins or glue, etc.

* With sealed potentiometer screw



Made in Germany

All specifications are subject to change without notice. (04/2017)



Capacitive Sensors S26 Series 80 - PNP

Type of construction PF M 30 x 1,5

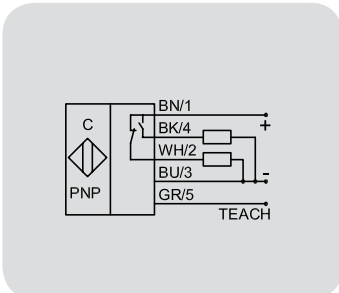
- Easy Teach by wire
- Housing material: PTFE
- Special version with flange. Sealing can be made with a gasket or PTFE-tape (not delivered with the sensor)



Technical data	Non-flush mountable
Level sensor, in contact with the product	Medium dependent adjustable
Operating distance min. / max. adjustable	0...20 mm
Electrical version	4-wire DC
Output function	Antivalent
Type PNP	KAS-80-26/113-A-PFM30-PTFE-Z03-ETW-HP
Art.-No.	KA 1038
Operating voltage (U_B)	10...35 V DC
Voltage drop max. (U_d)	≤ 2.0 V
Permitted residual ripple max.	10 %
Operating current (I_e)	2 x 0...250 mA
No-load current (I_o)	Typ. 15 mA
Frequency of operating cycles max.	Max. 15 Hz
Permitted ambient temperature	-25...+70 °C / CIP 121 °C (zero-current)
LED-display	Green / yellow
Protective circuit	Built-in
Degree of protection IEC 60529	IP 67*
Norm	EN 60947-5-2
Connection cable	3 m, PVC, 5 x 0.34 mm ²
Housing material	PTFE (FDA 21 CFR 177.1550)
Active surface	PTFE (FDA 21 CFR 177.1550)
Lid	PA / PPO
Media optimized	Yes
Accessories (not delivered with the sensor):	

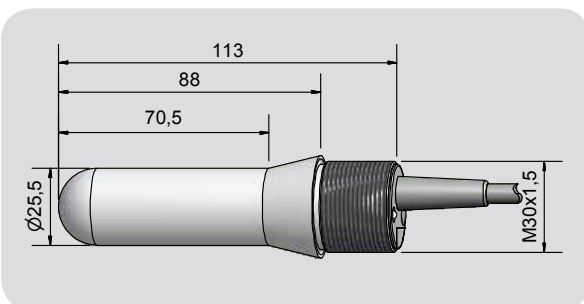
Capacitive Sensors S26 with hemispherical active surface for level control of products with a dielectric constant ϵ_r as of 1,1. Products can be:

- Bulk material, like plastic granules, powder, cereals, etc.
- Liquids, like water, juice, wine, oil, chemicals or pharmaceutical solutions and much more.
- Pastes in the food processing industry, liquid glue, resins or glue, etc.



All specifications are subject to change without notice. (04/2017)

* Position of the EasyTeach button sealed with sealing screw



EasyTeach chart: LED / Output function
Yellow = A1 Green = A2

- [Green pulse] Adjustment "empty"
- [Green square wave] Initializing "empty"
- [Yellow pulse] Adjustment "full"
- [Yellow square wave] Initializing "full"
- [Green pulse] Factory reset
- [Yellow pulse] Test

Made in Germany



Capacitive Sensors S26 Series 80 - PNP

Type of construction PFS2
• Housing material: PTFE

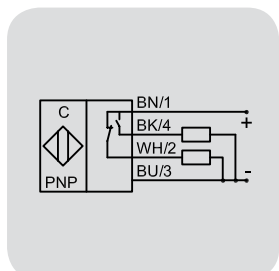
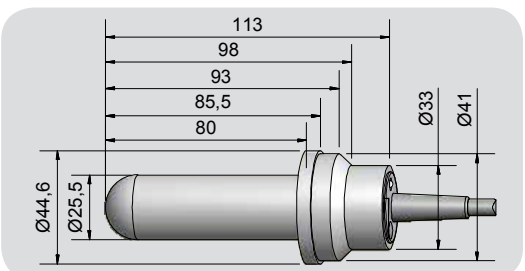


Technical data	Non-flush mountable
Level sensor, in contact with the product	Medium dependent adjustable
Operating distance min. / max. adjustable	0...20 mm
Electrical version	4-wire DC
Output function	Antivalent
Type PNP	KAS-80-26/113-A-PFS2-PTFE-Z02-1-HP
Art.-No.	KA 0566
Operating voltage (U_B)	10...35 V DC
Voltage drop max. (U_i)	≤ 2.0 V
Permitted residual ripple max.	10 %
Operating current (I_a)	2 x 0...200 mA
No-load current (I_o)	Typ. 15 mA
Frequency of operating cycles max.	50 Hz
Permitted ambient temperature	-25...+70 °C / CIP 121 °C (zero-current)
LED-display	Green / yellow
Protective circuit	Built-in
Degree of protection IEC 60529	IP 67*
Norm	EN 60947-5-2
Connection cable	2 m, PVC, 4 x 0.5 mm ²
Housing material	PTFE (FDA 21 CFR 177.1550)
Active surface	PTFE (FDA 21 CFR 177.1550)
Lid	PA
Media optimized	Yes
Accessories (not delivered with the sensor): PP / EPDM Screwing da 32 SDR with sealing gasket # 196363, PP union nut Ø 32 mm # 196361 please see our selection of accessories.	

Capacitive Sensors S26 with hemispherical active surface for level control of products with a dielectric constant ϵ_r as of 1,1. Products can be:

- Bulk material, like plastic granules, powder, cereals, etc.
- Liquids, like water, juice, wine, oil, chemicals or pharmaceutical solutions and much more.
- Pastes in the food processing industry, liquid glue, resins or glue, etc.

* With sealed potentiometer screw



Made in Germany

All specifications are subject to change without notice. (04/2017)



Capacitive Sensors S26 Series 80 - PNP

Type of construction PFS1
 • Housing material: PTFE



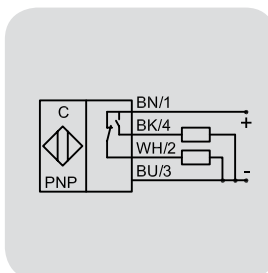
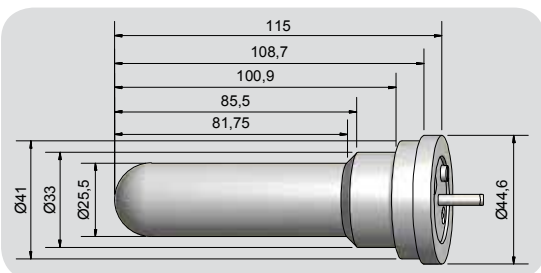
Technical data	Non-flush mountable
Level sensor, in contact with the product	Medium dependent adjustable
Operating distance min. / max. adjustable	0...20 mm
Electrical version	4-wire DC
Output function	Antivalent
Type PNP	KAS-80-26/113-A-PFS1-PTFE-Z05-1-HP
Art.-No.	KA 0620
Operating voltage (U_B)	10...35 V DC
Voltage drop max. (U_d)	≤ 2.0 V
Permitted residual ripple max.	10 %
Operating current (I_e)	2 x 0...250 mA
No-load current (I_o)	Typ. 15 mA
Frequency of operating cycles max.	50 Hz
Permitted ambient temperature	-25...+70 °C / CIP 121 °C (zero-current)
LED-display	Green / yellow
Protective circuit	Built-in
Degree of protection IEC 60529	IP 67*
Norm	EN 60947-5-2
Connection cable	5 m, PTFE, 4 x 0.22 mm ²
Housing material	PTFE (FDA 21 CFR 177.1550)
Active surface	PTFE (FDA 21 CFR 177.1550)
Lid	PTFE (FDA 21 CFR 177.1550)
Media optimized	Yes

Capacitive Sensors S26 with hemispherical active surface for level control of products with a dielectric constant ϵ_r as of 1,1. Products can be:

- Bulk material, like plastic granules, powder, cereals, etc.
- Liquids, like water, juice, wine, oil, chemicals or pharmaceutical solutions and much more.
- Pastes in the food processing industry, liquid glue, resins or glue, etc.

Accessories (not delivered with the sensor): PP tube da 32 SDR 11, L = 2000 mm with already welded screw connection on one side # 196360, PP union nut Ø 32 mm # 196361, O-ring EPDM, suitable for union nut da 32 # 196362 please see our selection of accessories.

* With sealed potentiometer screw



All specifications are subject to change without notice. (04/2017)

Made in Germany



Capacitive Sensors S26 Series 80 - PNP

- Type of construction PFS1
- Housing material: PTFE
 - With flange connector M 12 x 1



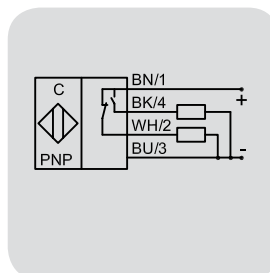
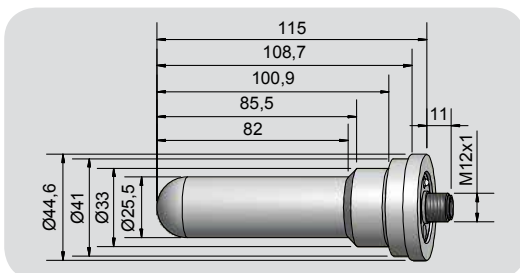
Technical data	Non-flush mountable
Level sensor, in contact with the product	Medium dependent adjustable
Operating distance min. / max. adjustable	0...20 mm
Electrical version	4-pin DC
Output function	Antivalent
Type PNP	KAS-80-26/113-A-PFS1-PTFE-Y5-1-HP
Art.-No.	KA 0549
Operating voltage (U_B)	10...35 V DC
Voltage drop max. (U_i)	≤ 2.0 V
Permitted residual ripple max.	10 %
Operating current (I_B)	2 x 0...200 mA
No-load current (I_o)	Typ. 15 mA
Frequency of operating cycles max.	50 Hz
Permitted ambient temperature	-25...+70 °C / CIP 121 °C (zero-current)
LED-display	Green / yellow
Protective circuit	Built-in
Degree of protection IEC 60529	IP 67*
Norm	EN 60947-5-2
Connection	Flange connector M 12 x 1
Housing material	PTFE (FDA 21 CFR 177.1550)
Active surface	PTFE (FDA 21 CFR 177.1550)
Lid	PA
Media optimized	Yes

Capacitive Sensors S26 with hemispherical active surface for level control of products with a dielectric constant ϵ_r as of 1,1. Products can be:

- Bulk material, like plastic granules, powder, cereals, etc.
- Liquids, like water, juice, wine, oil, chemicals or pharmaceutical solutions and much more.
- Pastes in the food processing industry, liquid glue, resins or glue, etc.

Accessories (not delivered with the sensor): PP tube da 32 SDR 11, L = 2000 mm with already welded screw connection on one side # 196360, PP union nut Ø 32 mm # 196361, O-ring EPDM, suitable for union nut Ø 32 mm # 196362 and matching connectors please see our selection of accessories.

* With sealed potentiometer screw



Made in Germany

All specifications are subject to change without notice. (04/2017)



Capacitive Sensors S26 Series 80 - PNP

Type of construction G 1"

- Housing material: PEEK
- Special housing for applications with high demands on hygiene.
- With flange connector M 12 x 1



Technical data	Non-flush mountable
Level sensor, in contact with the product	Medium dependent adjustable
Operating distance min. / max. adjustable	0...20 mm
Electrical version	4-pin DC
Output function	Antivalent
Type PNP	KAS-80-26/113-A-G1-PEEK-Y5-1-E-HP
Art.-No.	KA 0764
Operating voltage (U_B)	10...35 V DC
Voltage drop max. (U_d)	≤ 2.0 V
Permitted residual ripple max.	10 %
Operating current (I_o)	2 x 0...250 mA
No-load current (I_o)	Typ. 15 mA
Frequency of operating cycles max.	50 Hz
Permitted ambient temperature	-25...+70 °C / CIP 121 °C (zero-current)
LED-display	Green / yellow
Protective circuit	Built-in
Degree of protection IEC 60529	IP 67*
Norm	EN 60947-5-2
Connection	Flange connector M 12 x 1
Housing material	PEEK (FDA 21 CFR 177.2415)
Active surface	PEEK (FDA 21 CFR 177.2415)
Lid	PA
Media optimized	Yes

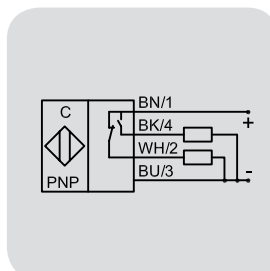
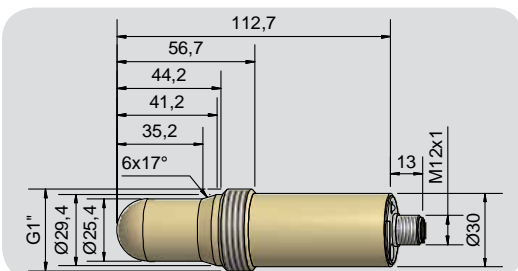
Accessories (not delivered with the sensor): For varivent adapter, triclamp adapter, welding socket and matching connectors please see our selection of accessories.

* With sealed potentiometer screw

Capacitive Sensors S26 with hemispherical active surface for level control of products with a dielectric constant ϵ_r as of 1,1. Products can be:

- Bulk material, like plastic granules, powder, cereals, etc.
- Liquids, like water, juice, wine, oil, chemicals or pharmaceutical solutions and much more.
- Pastes in the food processing industry, liquid glue, resins or glue, etc.

All specifications are subject to change without notice. (04/2017)



Made in Germany



Capacitive Sensors S26 Series 80 - PNP

Type of construction G 3/4"
• Housing material: PTFE

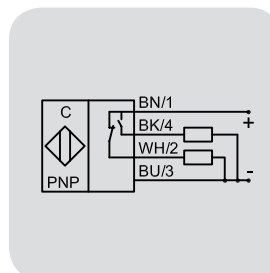
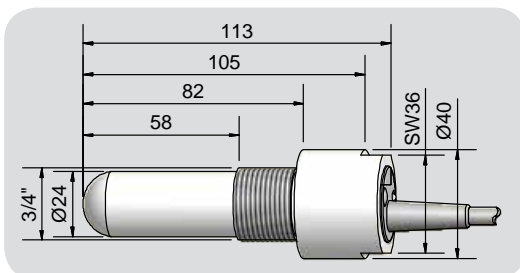


Technical data	Non-flush mountable
Level sensor, in contact with the product	Medium dependent adjustable
Operating distance min. / max. adjustable	0...20 mm
Electrical version	4-wire DC
Output function	Antivalent
Type PNP	KAS-80-26/113-A-G3/4-PTFE-Z02-1-HP
Art.-No.	KA 1091
Operating voltage (U_B)	10...35 V DC
Voltage drop max. (U_i)	≤ 2.0 V
Permitted residual ripple max.	10 %
Operating current (I_B)	2 x 0...250 mA
No-load current (I_o)	Typ. 15 mA
Frequency of operating cycles max.	50 Hz
Permitted ambient temperature	-25...+70 °C / CIP 121 °C (zero-current)
LED-display	Green / yellow
Protective circuit	Built-in
Degree of protection IEC 60529	IP 67*
Norm	EN 60947-5-2
Connection cable	2 m, PVC, 4 x 0.5 mm ²
Housing material	PTFE (FDA 21 CFR 177.1550)
Active surface	PTFE (FDA 21 CFR 177.1550)
Lid	PA
Media optimized	Yes

Capacitive Sensors S26 with hemispherical active surface for level control of products with a dielectric constant ϵ_r as of 1,1. Products can be:

- Bulk material, like plastic granules, powder, cereals, etc.
- Liquids, like water, juice, wine, oil, chemicals or pharmaceutical solutions and much more.
- Pastes in the food processing industry, liquid glue, resins or glue, etc.

* With sealed potentiometer screw



Made in Germany

All specifications are subject to change without notice. (04/2017)



Capacitive Sensors S26 Series 90 - AC / DC

Type of construction M 30 x 1.5
• Housing material: PP



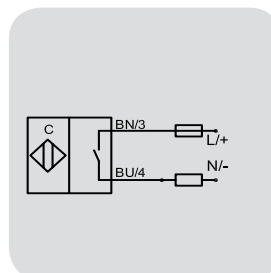
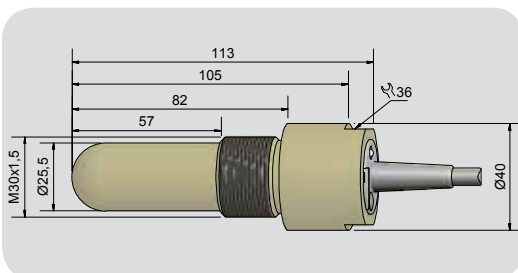
Technical data	Non-flush mountable
Level sensor, in contact with the product	Medium dependent adjustable
Operating distance min. / max. adjustable	0...12 mm
Electrical version	2-wire AC / DC
Output function	Normally open
Type	KAS-90-26/113-S-M30-PP-Z02-1-NL
Art.-No.	KA 0971
Operating voltage (U_B)	20...250 V AC / DC
Voltage drop max. (U_d)	≤ 6.0 V
Operating current (I_o)	5...200 mA
No-load current (I_o)	Typ. 2.5 mA
Frequency of operating cycles max.	25 Hz
Permitted ambient temperature	0...+70 °C
LED-display	Yellow
Protective circuit	Built-in
Degree of protection IEC 60529	IP 67*
Norm	EN 60947-5-2
Connection cable	2 m, PVC, 2 x 0.75 mm ²
Housing material	PP (FDA 21 CFR 177.1520)
Active surface	PP (FDA 21 CFR 177.1520)
Lid	PA / PPO

Capacitive Sensors S26 with hemispherical active surface for level control of products with a dielectric constant ϵ_r as of 1,1. Products can be:

- Bulk material, like plastic granules, powder, cereals, etc.
- Liquids, like water, juice, wine, oil, chemicals or pharmaceutical solutions and much more.
- Pastes in the food processing industry, liquid glue, resins or glue, etc.

All specifications are subject to change without notice. (04/2017)

* With sealed potentiometer screw



Made in Germany



Capacitive Sensors S26 Series 90 - AC / DC

Capacitive Sensors S26 with hemispherical active surface for level control of products with a dielectric constant ϵ_r as of 1,1.

Products can be:

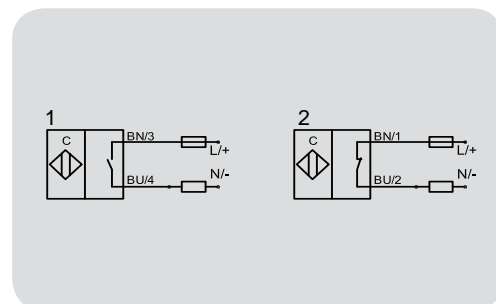
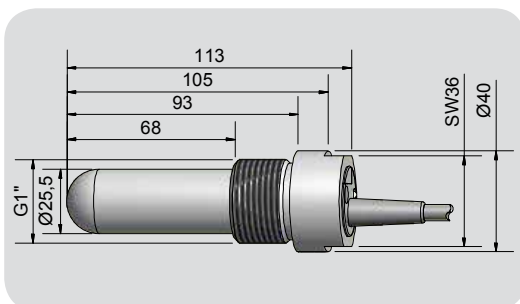
- Bulk material, like plastic granules, powder, cereals, etc.
- Liquids, like water, juice, wine, oil, chemicals or pharmaceutical solutions and much more.
- Pastes in the food processing industry, liquid glue, resins or glue, etc.
- Type of construction G 1"
- Housing material: PTFE



Technical data	Non-flush mountable	Non-flush mountable
Level sensor, in contact with the product	Medium dependent adjustable	Medium dependent adjustable
Operating distance min. / max. adjustable	0...15 mm	0...15 mm
Electrical version	2-wire AC / DC	2-wire AC / DC
Output function	Normally open	Normally closed
Type	KAS-90-26/113-S-G1-PTFE-Z02-1	KAS-90-26/113-Ö-G1-PTFE-Z02-1
Art.-No.	KA 0409	KA 0685
Connection diagram No.	1	2
Operating voltage (U_B)	20...250 V AC / DC	20...250 V AC / DC
Voltage drop max. (U_o)	≤ 6.0 V	≤ 6.0 V
Operating current (I_o)	5...250 mA	5...250 mA
No-load current (I_o)	Typ. 2.5 mA	Typ. 2.5 mA
Frequency of operating cycles max.	25 Hz	25 Hz
Permitted ambient temperature	-25...+70 °C / CIP 121 °C (zero-current)	-25...+70 °C / CIP 121 °C (zero-current)
LED-display	Yellow	Yellow
Protective circuit	Built-in	Built-in
Degree of protection IEC 60529	IP 67*	IP 67*
Norm	EN 60947-5-2	EN 60947-5-2
Connection cable	2 m, PUR, 2 x 0.75 mm ²	2 m, PUR, 2 x 0.75 mm ²
Housing material	PTFE (FDA 21 CFR 177.1550)	PTFE (FDA 21 CFR 177.1550)
Active surface	PTFE (FDA 21 CFR 177.1550)	PTFE (FDA 21 CFR 177.1550)
Lid	PA / PPO	PA / PPO

Accessories (not delivered with the sensor): For varivent adapter, triclamp adapter and welding socket please see our selection of accessories.

* With sealed potentiometer screw



Made in Germany

All specifications are subject to change without notice. (04/2017)



Capacitive Sensors S26 Series 90 - AC / DC

Type of construction G 1"
• Housing material: PTFE



Technical data	Non-flush mountable
Level sensor, in contact with the product	Medium dependent adjustable
Operating distance min. / max. adjustable	0...15 mm
Electrical version	2-wire AC / DC
Output function	Normally open
Type	KAS-90-26/113-S-G1-PTFE-Z05-1
Art.-No.	KA 0991
Operating voltage (U_B)	20...250 V AC / DC
Voltage drop max. (U_d)	≤ 6.0 V
Operating current (I_o)	5...250 mA
No-load current (I_o)	Typ. 2.5 mA
Frequency of operating cycles max.	25 Hz
Permitted ambient temperature	-25...+70 °C / CIP 121 °C (zero-current)
LED-display	Yellow
Protective circuit	Built-in
Degree of protection IEC 60529	IP 67*
Norm	EN 60947-5-2
Connection cable	5 m, PUR, 2 x 0.75 mm ²
Housing material	PTFE (FDA 21 CFR 177.1550)
Active surface	PTFE (FDA 21 CFR 177.1550)
Lid	PA / PPO

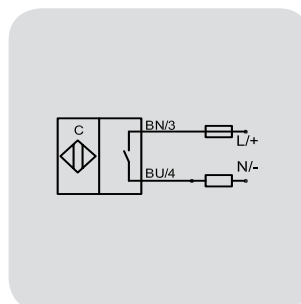
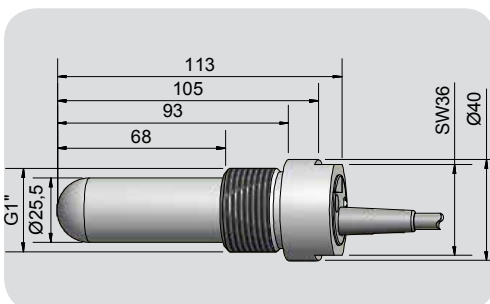
Capacitive Sensors S26 with hemispherical active surface for level control of products with a dielectric constant ϵ_r as of 1,1. Products can be:

- Bulk material, like plastic granules, powder, cereals, etc.
- Liquids, like water, juice, wine, oil, chemicals or pharmaceutical solutions and much more.
- Pastes in the food processing industry, liquid glue, resins or glue, etc.

Accessories (not delivered with the sensor): For varivent adapter, triclamp adapter and welding socket please see our selection of accessories.

* With sealed potentiometer screw

All specifications are subject to change without notice. (04/2017)



Made in Germany



Capacitive Sensors S26 Series 90 - AC / DC

Capacitive Sensors S26 with hemispherical active surface for level control of products with a dielectric constant ϵ_r as of 1,1.

Products can be:

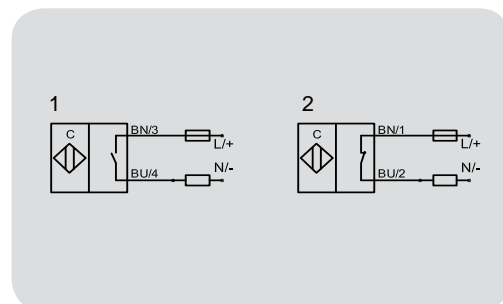
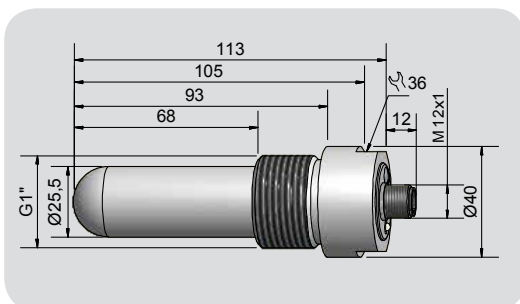
- Bulk material, like plastic granules, powder, cereals, etc.
- Liquids, like water, juice, wine, oil, chemicals or pharmaceutical solutions and much more.
- Pastes in the food processing industry, liquid glue, resins or glue, etc.
- Type of construction G 1"
- Housing material: PTFE
- With flange connector M 12 x 1



Technical data	Non-flush mountable	Non-flush mountable
Level sensor, in contact with the product	Medium dependent adjustable	Medium dependent adjustable
Operating distance min. / max. adjustable	0...15 mm	0...15 mm
Electrical version	2-pin AC / DC	2-pin AC / DC
Output function	Normally open	Normally closed
Type	KAS-90-26/113-S-G1-PTFE-Y1-1	KAS-90-26/113-Ö-G1-PTFE-Y1-1
Art.-No.	KA 0639	KA 1013
Connection diagram No.	1	2
Operating voltage (U_B)	20...250 V AC / DC	20...250 V AC / DC
Voltage drop max. (U_d)	≤ 6.0 V	≤ 6.0 V
Operating current (I_o)	5...250 mA	5...250 mA
No-load current (I_o)	Typ. 2.5 mA	Typ. 2.5 mA
Frequency of operating cycles max.	25 Hz	25 Hz
Permitted ambient temperature	-25...+70 °C / CIP 121 °C (zero-current)	-25...+70 °C / CIP 121 °C (zero-current)
LED-display	Yellow	Yellow
Protective circuit	Built-in	Built-in
Degree of protection IEC 60529	IP 67*	IP 67*
Norm	EN 60947-5-2	EN 60947-5-2
Connection	Flange connector M 12 x 1	Flange connector M 12 x 1
Housing material	PTFE (FDA 21 CFR 177.1550)	PTFE (FDA 21 CFR 177.1550)
Active surface	PTFE (FDA 21 CFR 177.1550)	PTFE (FDA 21 CFR 177.1550)
Lid	PA / PPO	PA / PPO

Accessories (not delivered with the sensor): For varivent adapter, triclamp adapter, welding socket and matching connectors please see our selection of accessories.

* With sealed potentiometer screw



Made in Germany

All specifications are subject to change without notice. (04/2017)



Capacitive Sensors S26 Series 90 - AC / DC

Capacitive Sensors S26 with hemispherical active surface for level control of products with a dielectric constant ϵ_r as of 1,1.

Products can be:

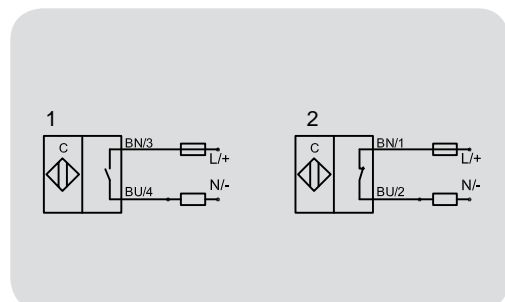
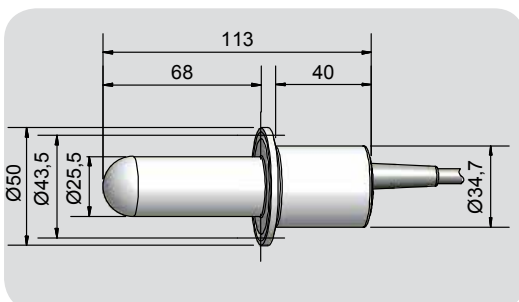
- Bulk material, like plastic granules, powder, cereals, etc.
- Liquids, like water, juice, wine, oil, chemicals or pharmaceutical solutions and much more.
- Pastes in the food processing industry, liquid glue, resins or glue, etc.
- Type of construction Triclamp DN 25
- Housing material: PTFE



Technical data	Non-flush mountable	Non-flush mountable
Level sensor, in contact with the product	Medium dependent adjustable	Medium dependent adjustable
Operating distance min. / max. adjustable	0...15 mm	0...15 mm
Electrical version	2-wire AC / DC	2-wire AC / DC
Output function	Normally open	Normally closed
Type	KAS-90-26/113-S-TRI-PTFE-Z02-1	KAS-90-26/113-Ö-TRI-PTFE-Z02-1
Art.-No.	KA 0684	KA 0683
Connection diagram No.	1	2
Operating voltage (U_B)	20...250 V AC / DC	20...250 V AC / DC
Voltage drop max. (U_D)	≤ 6.0 V	≤ 6.0 V
Operating current (I_e)	5...250 mA	5...250 mA
No-load current (I_o)	Typ. 2.5 mA	Typ. 2.5 mA
Frequency of operating cycles max.	25 Hz	25 Hz
Permitted ambient temperature	-25...+70 °C / CIP 121 °C (zero-current)	-25...+70 °C / CIP 121 °C (zero-current)
LED-display	Yellow	Yellow
Protective circuit	Built-in	Built-in
Degree of protection IEC 60529	IP 67*	IP 67*
Norm	EN 60947-5-2	EN 60947-5-2
Connection cable	2 m, PUR, 2 x 0.75 mm ²	2 m, PUR, 2 x 0.75 mm ²
Housing material	PTFE (FDA 21 CFR 177.1550)	PTFE (FDA 21 CFR 177.1550)
Active surface	PTFE (FDA 21 CFR 177.1550)	PTFE (FDA 21 CFR 177.1550)
Lid	PA / PPO	PA / PPO
Accessories (not delivered with the sensor): Stainless steel welding nipple DN 25 # 190751, Sealing gasket # 190752, Triclamp mounting clamp # 190750 please see our selection of accessories.		

All specifications are subject to change without notice. (04/2017)

* With sealed potentiometer screw



Made in Germany

CAPACITIVE SENSORS KAS S26 StEx - ATEX

	Pages
Capacitive sensors S26, series 40 NAMUR , StEx - ATEX zone 0, zone 20, G 1"	72 - 79
Capacitive sensors S26, series 70 / 80, StEx - ATEX zone 1, zone 20, G 1/2"	80 - 81
Capacitive sensors S26, series 70 / 80, StEx - ATEX zone 1, zone 20, Ø 22	82
Capacitive sensors S26, series 70 / 80, StEx - ATEX zone 1, zone 20, F 30	83
Capacitive sensors S26, series 70 / 80, StEx - ATEX zone 1, zone 20, M 30	84 - 87
Capacitive sensors S26, series 70 / 80, StEx - ATEX zone 1, zone 20, M 32	88
Capacitive sensors S26, series 70 / 80, StEx - ATEX zone 1, zone 20, G 1"	89 - 101
Capacitive sensors S26, series 70 / 80, StEx - ATEX zone 1, zone 20, Triclamp	102 - 103
Capacitive sensors S26, series 70 / 80, StEx - ATEX zone 1, zone 20, HG	104
Capacitive sensors S26 with manufacturer declaration	105 -106

All specifications are subject to change without notice. (04/2017)



Capacitive Sensors S26 Series 40 - NAMUR EN 60947-5-6

Type of construction G 1"

- For use in areas with the risk of gas explosion, zone 0
- Housing material: PTFE

DMT 03 ATEX E 048

IECEx BVS 07.0031

Ex II 1G Ex ia IIC T1-T6 Ga

Ex ia IIC T1-T6 Ga



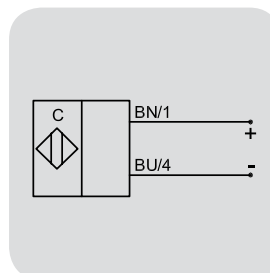
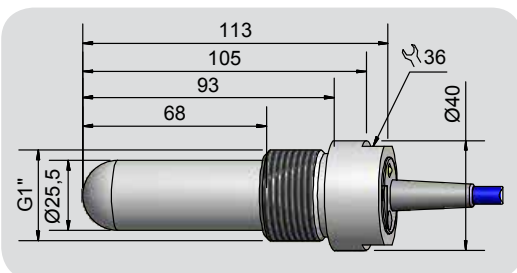
Technical data	Non-flush mountable
Level sensor, in contact with the product	Medium dependent adjustable
Operating distance min. / max. adjustable	0...15 mm
Electrical version	2-wire DC
Output function	NAMUR DIN 60947-5-6
Type	KAS-40-26-N-K-G1"-PTFE
Art.-No.	KA 0740
Operating voltage (U _B)	5 - 15 V DC, U _i = 15 V DC
Output current active surface free	< typ. 1.5 mA
Output current active surface covered	> typ. 3 mA
Self-inductance (L)	0.2 mH
Self-capacitance (C)	250 nF
Permitted residual ripple max.	5 %
Frequency of operating cycles max.	50 Hz
Permitted ambient temperature	0...+70 °C / CIP 121 °C (zero-current)
LED-display	Yellow
Degree of protection IEC 60529	IP 67*
Connection cable	2 m, PUR, 2 x 0.75 mm ²
Housing material	PTFE (FDA 21 CFR 177.1550)
Active surface	PTFE (FDA 21 CFR 177.1550)
Lid	PA / PPO

Capacitive Sensors S26 with hemispherical active surface for level control of products with a dielectric constant ϵ_r as of 1,1. Products can be:

- Bulk material, like plastic granules, powder, cereals, etc.
- Liquids, like water, juice, wine, oil, chemicals or pharmaceutical solutions and much more.
- Pastes in the food processing industry, liquid glue, resins or glue, etc.

Accessories (not delivered with the sensor): For varivent adapter, triclamp adapter and welding socket please see our selection of accessories.

* With sealed potentiometer screw



Made in Germany

All specifications are subject to change without notice. (04/2017)



Capacitive Sensors S26 Series 40 - NAMUR EN 60947-5-6

Type of construction G 1"

- For use in areas with the risk of gas explosion, zone 0
- Housing material: PTFE
- Useable for an ambient temperature up to +100 °C

DMT 03 ATEX E 048

IECEX BVS 07.0031

Ex II 1G Ex ia IIC T1-T6 Ga

Ex ia IIC T1-T6 Ga



Technical data	Non-flush mountable
Level sensor, in contact with the product	Medium dependent adjustable
Operating distance min. / max. adjustable	0...15 mm
Electrical version	2-wire DC
Output function	NAMUR DIN 60947-5-6
Type	KAS-40-26-N-K-G1"-PTFE-100C
Art.-No.	KA 1230
Operating voltage (U _B)	5 - 15 V DC, U _i = 15 V DC
Output current active surface free	< typ. 1.5 mA
Output current active surface covered	> typ. 3 mA
Self-inductance (L)	0.2 mH
Self-capacitance (C)	250 nF
Permitted residual ripple max.	5 %
Frequency of operating cycles max.	50 Hz
Permitted ambient temperature	0...+100 °C / CIP 121 °C (zero-current)
LED-display	Yellow
Degree of protection IEC 60529	IP 67*
Connection cable	2 m, PUR, 2 x 0.75 mm ²
Housing material	PTFE (FDA 21 CFR 177.1550)
Active surface	PTFE (FDA 21 CFR 177.1550)
Lid	PA / PPO

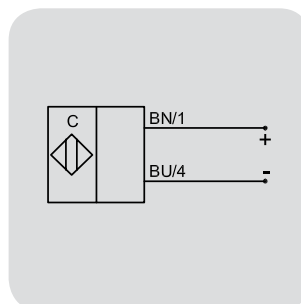
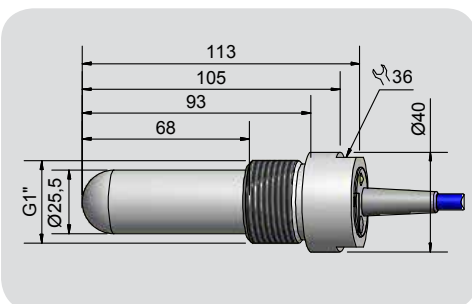
Capacitive Sensors S26 with hemispherical active surface for level control of products with a dielectric constant ϵ_r as of 1,1. Products can be:

- Bulk material, like plastic granules, powder, cereals, etc.
- Liquids, like water, juice, wine, oil, chemicals or pharmaceutical solutions and much more.
- Pastes in the food processing industry, liquid glue, resins or glue, etc.

Accessories (not delivered with the sensor): For varivent adapter, triclamp adapter and welding socket please see our selection of accessories.

* With sealed potentiometer screw

All specifications are subject to change without notice. (04/2017)



Made in Germany



Capacitive Sensors S26 Series 40 - NAMUR EN 60947-5-6

Housing M22

- For use in areas with the risk of dust explosion, zone 20
- For use in areas with the risk of gas explosion, zone 0
- Housing material: PTFE
- SIP / CIP 121 °C

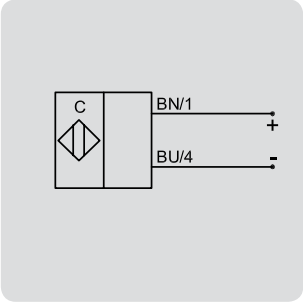
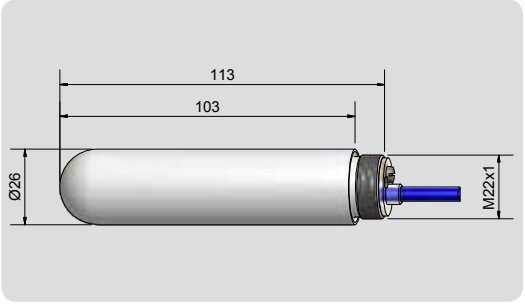
DMT 03 ATEX E 048	IECEX BVS 07.0031
Ex II 1G Ex ia IIC T1-T6 Ga	Ex ia IIC T1-T6 Ga
Ex II 1D Ex ia IIIC T101°C Da	Ex ia IIIC T101°C Da



Technical data	Non-flush mountable
Level sensor, in contact with the product	Medium dependent adjustable
Operating distance min. / max. adjustable	0...15 mm
Electrical version	2-wire DC
Output	NAMUR DIN 60947-5-6
Type	KAS-40-26-N-K-PFM22-PTFE-StEx
Art. No.	KA 1410
Operating voltage (U _B)	5 - 15 V DC, U _i = 15 V DC
Output current active surface free	< typ. 1.5 mA
Output current active surface covered	> typ. 3 mA
Self-inductance (L)	0.2 mH
Self-capacitance (C)	250 nF
Permitted residual ripple max.	5 %
Frequency of operating cycles max.	50 Hz
Permitted ambient temperature	0...+70 °C / CIP 121 °C (zero-current)
LED-display	Yellow
Degree of protection IEC 60529	IP 67
Connection cable	2 m, PUR, 2 x 0.75 mm ²
Housing material	PTFE (FDA 21 CFR 177.1550)
Active surface	PTFE (FDA 21 CFR 177.1550)
Lid	PC (FDA 21 CFR 177.1580)
Media optimized	Yes
Accessories (supplied with the sensor)	O-Ring Viton PG 16
Accessories for mounting (not delivered with the sensor) please see our selection of accessories.	

Capacitive Sensors S26 with hemispherical active surface for level control of products with a dielectric constant ϵ_r as of 1,1. Products can be:

- Bulk material, like plastic granules, powder, cereals, etc.
- Liquids, like water, juice, wine, oil, chemicals or pharmaceutical solutions and much more.
- Pastes in the food processing industry, liquid glue, resins or glue, etc.



Made in Germany

All specifications are subject to change without notice. (04/2017)



Capacitive Sensors S26 Series 40 - NAMUR EN 60947-5-6

Housing M 30 x 1.5

- For use in areas with the risk of dust explosion, zone 20
- For use in areas with the risk of gas explosion, zone 0
- Housing material: PTFE
- SIP / CIP 121 °C

DMT 03 ATEX E 048	IECEX BVS 07.0031
Ex II 1G Ex ia IIC T1-T6 Ga	Ex ia IIC T1-T6 Ga
Ex II 1D Ex ia IIIC T101°C Da	Ex ia IIC T101°C Da

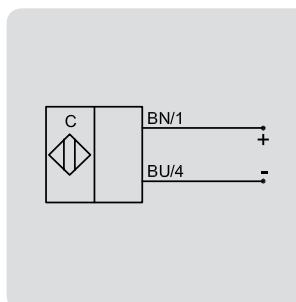
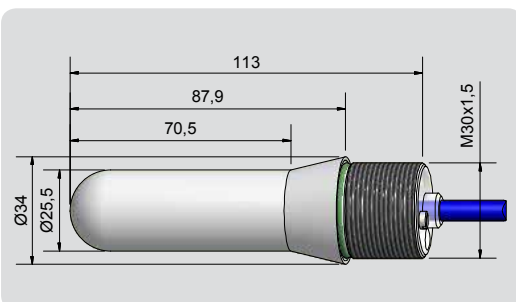


Technical data	Non-flush mountable
Level sensor, in contact with the product	Medium dependent adjustable
Operating distance min. / max. adjustable	0...15 mm
Electrical version	2-wire DC
Output	NAMUR DIN 60947-5-6
Type	KAS-40-26-N-K-M30-PTFE-StEx
Art. No.	KA 1389
Operating voltage (U _B)	5 - 15 V DC, U _i = 15 V DC
Output current active surface free	< typ. 1.5 mA
Output current active surface covered	> typ. 3 mA
Self-inductance (L)	0.2 mH
Self-capacitance (C)	250 nF
Permitted residual ripple max.	5 %
Frequency of operating cycles max.	50 Hz
Permitted ambient temperature	0...+70 °C / CIP 121 °C (zero-current)
LED-display	Yellow
Degree of protection IEC 60529	IP 67
Connection cable	2 m, PUR, 2 x 0.75 mm ²
Housing material	PTFE (FDA 21 CFR 177.1550)
Active surface	PTFE (FDA 21 CFR 177.1550)
Lid	PC (FDA 21 CFR 177.1580)
Media optimized	Yes
Accessories (supplied with the sensor)	O-Ring Viton PG 21
Accessories for mounting (not delivered with the sensor) please see our selection of accessories.	

Capacitive Sensors S26 with hemispherical active surface for level control of products with a dielectric constant ϵ_r as of 1,1. Products can be:

- Bulk material, like plastic granules, powder, cereals, etc.
- Liquids, like water, juice, wine, oil, chemicals or pharmaceutical solutions and much more.
- Pastes in the food processing industry, liquid glue, resins or glue, etc.

All specifications are subject to change without notice. (04/2017)



Made in Germany



Capacitive Sensors S26 Series 40 - NAMUR EN 60947-5-6

Type of construction G 1"

- For use in areas with the risk of dust explosion, zone 20
- For use in areas with the risk of gas explosion, zone 0
- Housing material: PTFE

DMT 03 ATEX E 048	IECEx BVS 07.0031
Ex II 1G Ex ia IIC T1-T6 Ga	Ex ia IIC T1-T6 Ga
Ex II 1D Ex ia IIIC T101°C Da	Ex ia IIIC T101°C Da



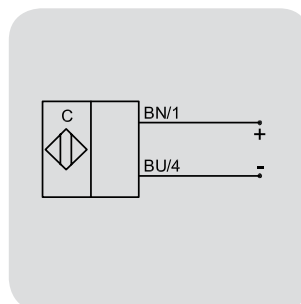
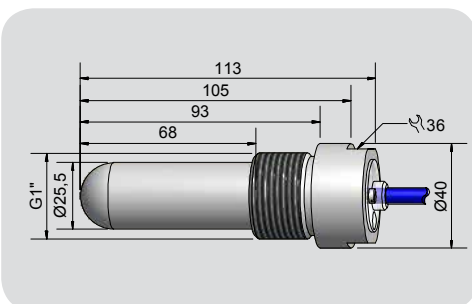
Technical data	Non-flush mountable
Level sensor, in contact with the product	Medium dependent adjustable
Operating distance min. / max. adjustable	0...15 mm
Electrical version	2-wire DC
Output function	NAMUR DIN 60947-5-6
Type	KAS-40-26-N-K-G1"-PTFE-StEx
Art.-No.	KA 0933
Operating voltage (U _B)	5 - 15 V DC, U _i = 15 V DC
Output current active surface free	< typ. 1.5 mA
Output current active surface covered	> typ. 3 mA
Self-inductance (L)	0.2 mH
Self-capacitance (C)	250 nF
Permitted residual ripple max.	5 %
Frequency of operating cycles max.	50 Hz
Permitted ambient temperature	0...+70 °C / CIP 121 °C (zero-current)
LED-display	Yellow
Degree of protection IEC 60529	IP 67*
Connection cable	2 m, PUR, 2 x 0.75 mm ²
Housing material	PTFE (FDA 21 CFR 177.1550)
Active surface	PTFE (FDA 21 CFR 177.1550)
Lid	PC (FDA 21 CFR 177.1580)

Capacitive Sensors S26 with hemispherical active surface for level control of products with a dielectric constant ϵ_r as of 1,1. Products can be:

- Bulk material, like plastic granules, powder, cereals, etc.
- Liquids, like water, juice, wine, oil, chemicals or pharmaceutical solutions and much more.
- Pastes in the food processing industry, liquid glue, resins or glue, etc.

Accessories (not delivered with the sensor): For varivent adapter, triclamp adapter and welding socket please see our selection of accessories.

* With sealed potentiometer screw



Made in Germany

All specifications are subject to change without notice. (04/2017)



Capacitive Sensors S26 Series 40 - NAMUR EN 60947-5-6

Type of construction G 1"

- For use in areas with the risk of dust explosion, zone 20
- For use in areas with the risk of gas explosion, zone 0
- Housing material: PTFE

DMT 03 ATEX E 048	IECEX BVS 07.0031
Ex II 1G Ex ia IIC T1-T6 Ga	Ex ia IIC T1-T6 Ga
Ex II 1D Ex ia IIIC T101°C Da	Ex ia IIIC T101°C Da



Technical data	Non-flush mountable
Level sensor, in contact with the product	Medium dependent adjustable
Operating distance min. / max. adjustable	0...15 mm
Electrical version	2-wire DC
Output function	NAMUR DIN 60947-5-6
Type	KAS-40-26-N-K-G1"-PTFE-StEx
Art.-No.	KA 1190
Operating voltage (U _B)	5 - 15 V DC, U _i = 15 V DC
Output current active surface free	< typ. 1.5 mA
Output current active surface covered	> typ. 2.5 mA
Self-inductance (L)	0.2 mH
Self-capacitance (C)	250 nF
Permitted residual ripple max.	5 %
Frequency of operating cycles max.	50 Hz
Permitted ambient temperature	0...+70 °C / CIP 121 °C (zero-current)
LED-display	Yellow
Degree of protection IEC 60529	IP 67*
Connection cable	5 m, PUR, 2 x 0.75 mm ²
Housing material	PTFE (FDA 21 CFR 177.1550)
Active surface	PTFE (FDA 21 CFR 177.1550)
Lid	PC (FDA 21 CFR 177.1580)

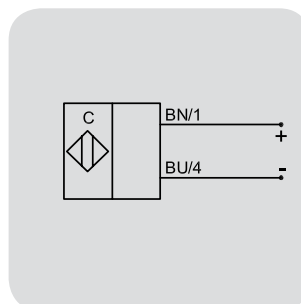
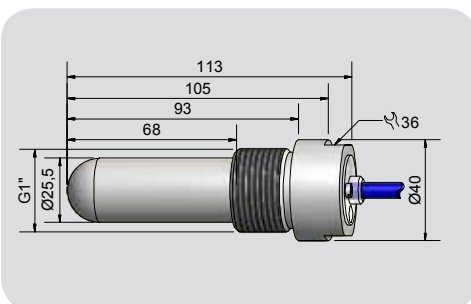
Capacitive Sensors S26 with hemispherical active surface for level control of products with a dielectric constant ϵ_r as of 1,1. Products can be:

- Bulk material, like plastic granules, powder, cereals, etc.
- Liquids, like water, juice, wine, oil, chemicals or pharmaceutical solutions and much more.
- Pastes in the food processing industry, liquid glue, resins or glue, etc.

Accessories (not delivered with the sensor): For varivent adapter, triclamp adapter and welding socket please see our selection of accessories.

* With sealed potentiometer screw

All specifications are subject to change without notice. (04/2017)



Made in Germany



Capacitive Sensors S26 Series 40 - NAMUR EN 60947-5-6

Type of construction G 1"

- For use in areas with the risk of dust explosion, zone 20
- or use in areas with the risk of gas explosion, zone 0
- Housing material: PTFE
- Special version with flange. Sealing can be made with a gasket or PTFE-tape (not delivered with the sensor)
- With flange connector M 12 x 1

DMT 03 ATEX E 048	IECEx BVS 07.0031
Ex II 1G Ex ia IIC T1-T6 Ga	Ex ia IIC T1-T6 Ga
Ex II 1D Ex ia IIIC T101°C Da	Ex ia IIIC T101°C Da

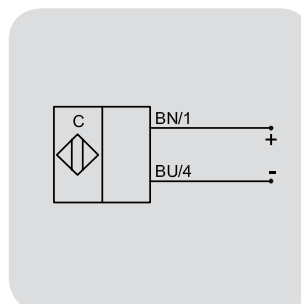
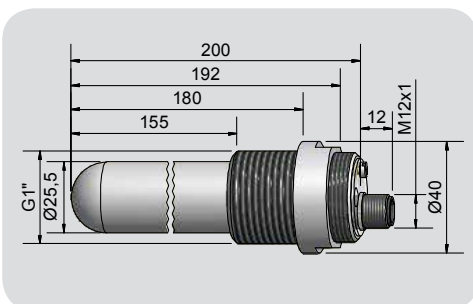


Technical data	Non-flush mountable
Level sensor, in contact with the product	Medium dependent adjustable
Operating distance min. / max. adjustable	0...15 mm
Electrical version	2-pin DC
Output function	NAMUR DIN 60947-5-6
Type	KAS-40-26-N-K-G1"-200-PTFE-Y5-StEx
Art.-No.	KA 1231
Operating voltage (U _B)	5 - 15 V DC, U _i = 15 V DC
Output current active surface free	< typ. 1.5 mA
Output current active surface covered	> typ. 3 mA
Self-inductance (L)	0.2 mH
Self-capacitance (C)	250 nF
Permitted residual ripple max.	5 %
Frequency of operating cycles max.	50 Hz
Permitted ambient temperature	0...+70 °C / CIP 121 °C (zero-current)
LED-display	Yellow
Degree of protection IEC 60529	IP 67*
Connection	Flange connector M 12 x 1
Housing material	PTFE (FDA 21 CFR 177.1550)
Active surface	PTFE (FDA 21 CFR 177.1550)
Lid	PC (FDA 21 CFR 177.1580)
Accessories (delivered with the sensor)	Protective clip
Accessories (not delivered with the sensor): For varivent adapter, triclamp adapter, welding socket and matching connectors please see our selection of accessories.	

Capacitive Sensors S26 with hemispherical active surface for level control of products with a dielectric constant ϵ_r as of 1,1. Products can be:

- Bulk material, like plastic granules, powder, cereals, etc.
- Liquids, like water, juice, wine, oil, chemicals or pharmaceutical solutions and much more.
- Pastes in the food processing industry, liquid glue, resins or glue, etc.

* With sealed potentiometer screw



Made in Germany

All specifications are subject to change without notice. (04/2017)



Capacitive Sensors S26 Series 40 - NAMUR EN 60947-5-6

Type of construction G 1"

- For use in areas with the risk of dust explosion, zone 20
- For use in areas with the risk of gas explosion, zone 0
- Housing material: PTFE
- Special version with flange. Sealing can be made with a gasket or PTFE-tape (not delivered with the sensor)
- With flange connector M 12 x 1

DMT 03 ATEX E 048	IECEX BVS 07.0031
Ex II 1G Ex ia IIC T1-T6 Ga	Ex ia IIC T1-T6 Ga
Ex II 1D Ex ia IIIC T101°C Da	Ex ia IIC T101°C Da



Technical data	Non-flush mountable
Level sensor, in contact with the product	Medium dependent adjustable
Operating distance min. / max. adjustable	0...15 mm
Electrical version	2-pin DC
Output function	NAMUR DIN 60947-5-6
Type	KAS-40-26-N-K-G1"-200-PTFE-Y5-StEx
Art.-No.	KA 1216
Operating voltage (U _B)	5 - 15 V DC, U _i = 15 V DC
Output current active surface free	< typ. 1.5 mA
Output current active surface covered	> typ. 3 mA
Self-inductance (L)	0.2 mH
Self-capacitance (C)	250 nF
Permitted residual ripple max.	5 %
Frequency of operating cycles max.	50 Hz
Permitted ambient temperature	0...+70 °C / CIP 121 °C (zero-current)
LED-display	Yellow
Degree of protection IEC 60529	IP 67*
Connection cable	Flange connector M 12 x 1
Housing material	PTFE (FDA 21 CFR 177.1550)
Active surface	PTFE (FDA 21 CFR 177.1550)
Lid	PC (FDA 21 CFR 177.1580)

Accessories (delivered with the sensor) Protective clip

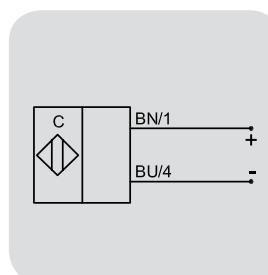
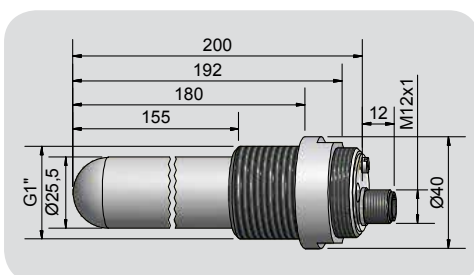
Accessories (not delivered with the sensor): For varivent adapter, triclamp adapter, welding socket and matching connectors please see our selection of accessories.

Capacitive Sensors S26 with hemispherical active surface for level control of products with a dielectric constant ϵ_r as of 1,1. Products can be:

- Bulk material, like plastic granules, powder, cereals, etc.
- Liquids, like water, juice, wine, oil, chemicals or pharmaceutical solutions and much more.
- Pastes in the food processing industry, liquid glue, resins or glue, etc.

All specifications are subject to change without notice. (04/2017)

* With sealed potentiometer screw



Made in Germany



Capacitive Sensors S26 Series 80 - PNP - StEx - ATEX

Process connection: G 1/2"

- Housing material: PEEK
- SIP / CIP 121 °C
- Special version with flange. Sealing can be made with a gasket or PTFE-tape (not supplied with the sensor)

DMT 01 ATEX E 157	IECEX BVS 07.0015
Ex II 2 G Ex mb IIC T4 Gb	Ex mb IIC T4 Gb
Ex II 1/2 D Ex ta/tb IIIC T101°C Da/Db	Ex ta/tb IIIC T101°C Da/Db



Technical data	Non-flush mountable
Level sensor, in contact with the product	Medium dependent adjustable
Operating distance S_n / min. / max. adjustable	4 mm / 0...10 mm
Electrical version	4-wire DC
Output function	Antivalent
Type PNP	KAS-80-26-A-K-G1/2"-PEEK-StEx
Art.-No.	KA 1426
Operating voltage (U_B)	10...30 V DC
Output current max. (I_e)	2 x 0...150 mA
Voltage drop max. (U_o)	≤ 2.0 V
Permitted residual ripple max.	10 %
No-load current (I_o)	Typ. 15 mA
Frequency of operating cycles max.	2 Hz
Permitted ambient temperature	-25...+70 °C / CIP 121° C (zero-current)
LED-display	Green / yellow
Protective circuit	Built-in
Degree of protection IEC 60529	IP 67*
Norm	EN 60947-5-2
Connection cable	2 m, PVC, 4 x 0.34 mm ²
Housing material (part in contact with the medium)	PEEK (FDA 21 CFR 177.2415)
Lid	PC (FDA 21 CFR 177.1580)
Media optimized	Yes
Accessories (not delivered with the sensor): Varivent Adapter, Welding Socket please see our selection of accessories.	

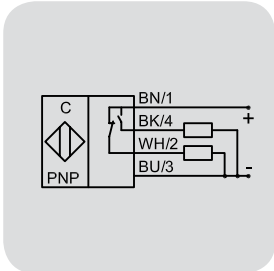
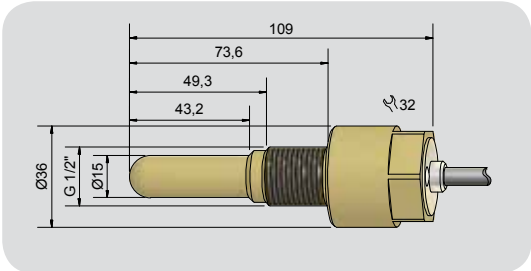
It is ideal for the level control of liquids, pastes, powders and other bulk materials.

This sensor has no moving parts and is not subject to wear or tear and thus there is no down time due to false detections caused by material build-up.

Advantages:

- Measurement is independent of the mounting position
- Permitted pressure on the active area: 10 bar
- Process connection G 1/2"

* With sealed potentiometer screw



Made in Germany

All specifications are subject to change without notice. (04/2017)



Capacitive Sensors S26 Series 80 - PNP - StEx - ATEX

Process connection: G 1/2"

- Housing material: PEEK
- For use in areas with the risk of dust explosion, zone 20
- For use in areas with the risk of gas explosion, zone 1
- Special version with flange. Sealing can be made with a gasket or PTFE-tape (not delivered with the sensor)

DMT 01 ATEX E 157	IECEx BVS 07.0015
Ex II 2 G Ex mb IIC T4 Gb	Ex mb IIC T4 Gb
Ex II 1/2 D Ex ta/tb IIIC T101°C Da/Db	Ex ta/tb IIIC T101°C Da/Db



Technical data	Non-flush mountable
Level sensor, in contact with the product	Medium dependent adjustable
Operating distance min. / max. adjustable	0...10 mm
Electrical version	4-wire DC
Output function	Antivalent
Type PNP	KAS-80-26-A-K-160-G1/2-PEEK-StEx
Art.-No.	KA 1409
Operating voltage (U_B)	10...30 V DC
Output current max. (I_o)	2 x 0...150 mA
Voltage drop max. (U_o)	≤ 2.0 V
Permitted residual ripple max.	10 %
No-load current (I_o)	Typ. 15 mA
Frequency of operating cycles max.	2 Hz
Permitted ambient temperature	-25...+70 °C / CIP 121° C (zero-current)
LED-display	Green / yellow
Protective circuit	Built-in
Degree of protection IEC 60529	IP 67*
Norm	EN 60947-5-2
Connection cable	2 m, PVC, 4 x 0.34 mm ²
Housing material (part in contact with the medium)	PEEK (FDA 21 CFR 177.2415)
Lid	PC
Media optimized	Yes

Accessories (not delivered with the sensor): Varivent Adapter, Welding Socket please see our selection of accessories.

* With sealed potentiometer screw

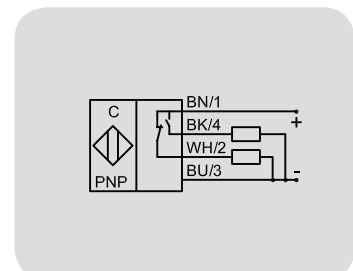
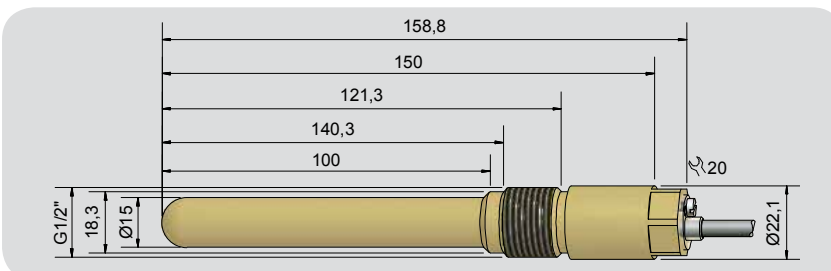
This capacitive level sensor is EHEDG conform. It is ideal for the level control of liquids, pastes, powders and other bulk materials.

This sensor has no moving parts and is not subject to wear or tear and thus there is no down time due to false detections caused by material build-up.

Advantages:

- EHEDG conform
- Measurement is independent of the mounting position
- Permitted pressure on the active area: 10 bar
- Process connection G 1/2"

All specifications are subject to change without notice. (04/2017)



Made in Germany



Capacitive Sensors S26 Series 80 - PNP - StEx - ATEX

Type of construction Ø 22 mm

- For use in areas with the risk of dust explosion, zone 20
- Housing material: PTFE
- With flange connector M 12 x 1

DMT 01 ATEX E 157

IECEX BVS 07.0015

Ex II 1/2 D Ex ta/tb IIIC T101°C Da/Db

Ex ta/tb IIIC T101°C Da/Db

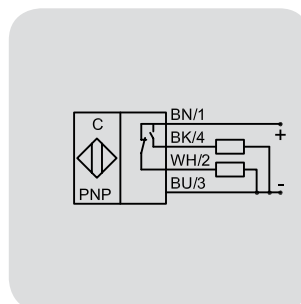
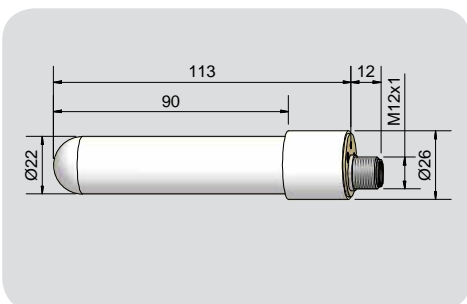


Technical data	Non-flush mountable
Level sensor, in contact with the product	Medium dependent adjustable
Operating distance min. / max. adjustable	0...20 mm
Electrical version	4-pin DC
Output function	Antivalent
Type PNP	KAS-80-26-A-K-22-PTFE-Y5-StEx
Art.-No.	KA 1413
Operating voltage (U_B)	10...30 V DC
Voltage drop max. (U_d)	≤ 2.0 V
Permitted residual ripple max.	10 %
Operating current (I_a)	2 x 0...150 mA
No-load current (I_o)	Typ. 15 mA
Frequency of operating cycles max.	50 Hz
Permitted ambient temperature	-20...+90 °C / CIP 121 °C (zero-current)
LED-display	Green / yellow
Protective circuit	Built-in
Degree of protection IEC 60529	IP 67*
Norm	EN 60947-5-2
Connection	Flange connector M 12 x 1
Housing material	PTFE (FDA 21 CFR 177.1550)
Active surface	PTFE (FDA 21 CFR 177.1550)
Lid	PEEK (FDA 21 CFR 177.2415)
Media optimized	Yes
Accessories (not delivered with the sensor): For matching connectors please see our selection of accessories.	

Capacitive Sensors S26 with hemispherical active surface for level control of products with a dielectric constant ϵ_r as of 1,1. Products can be:

- Bulk material, like plastic granules, powder, cereals, etc.
- Liquids, like water, juice, wine, oil, chemicals or pharmaceutical solutions and much more.
- Pastes in the food processing industry, liquid glue, resins or glue, etc.

* With sealed potentiometer screw



Made in Germany

All specifications are subject to change without notice. (04/2017)



Capacitive Sensors S26 Series 80 - PNP - StEx - ATEX

Type of construction F30

- For use in areas with the risk of dust explosion, zone 20
- For use in areas with the risk of gas explosion, zone 1
- Housing material: PTFE
- Special version with flange, double gasket for hole basis fitting \varnothing 30 mm.

DMT 01 ATEX E 157

IECEX BVS 07.0015

Ex II 2 G Ex mb IIC T4 Gb

Ex mb IIC T4 Gb

Ex II 1/2 D Ex ta/tb IIIC T101°C Da/Db

Ex ta/tb IIIC T101°C Da/Db



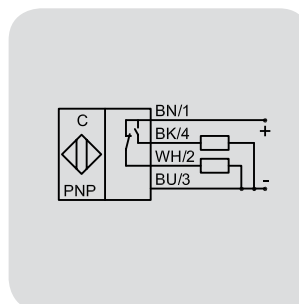
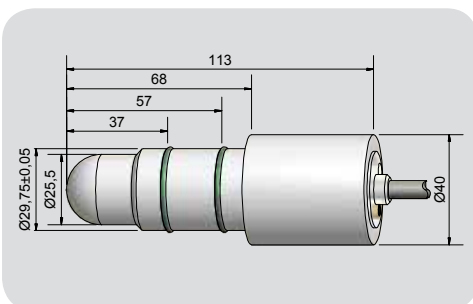
Technical data	Non-flush mountable
Level sensor, in contact with the product	Medium dependent adjustable
Operating distance min. / max. adjustable	0...20 mm
Electrical version	4-wire DC
Output function	Antivalent
Type PNP	KAS-80-26-A-K-F30-PTFE-StEx
Art.-No.	KA 0636
Operating voltage (U_B)	10...30 V DC
Voltage drop max. (U_d)	≤ 2.0 V
Permitted residual ripple max.	10 %
Operating current (I_o)	2 x 0...150 mA
No-load current (I_o)	Typ. 10 mA
Frequency of operating cycles max.	50 Hz
Permitted ambient temperature	-20...+90 °C
LED-display	Green / yellow
Protective circuit	Built-in
Degree of protection IEC 60529	IP 67*
Norm	EN 60947-5-2
Connection cable	2 m, PVC, 4 x 0.5 mm ²
Housing material	PTFE (FDA 21 CFR 177.1550)
Active surface	PTFE (FDA 21 CFR 177.1550)
Lid	PC (FDA 21 CFR 177.1580)
Media optimized	Yes

Capacitive Sensors S26 with hemispherical active surface for level control of products with a dielectric constant ϵ_r as of 1,1. Products can be:

- Bulk material, like plastic granules, powder, cereals, etc.
- Liquids, like water, juice, wine, oil, chemicals or pharmaceutical solutions and much more.
- Pastes in the food processing industry, liquid glue, resins or glue, etc.

All specifications are subject to change without notice. (04/2017)

* With sealed potentiometer screw



Made in Germany



Capacitive Sensors S26 Series 80 - PNP - StEx - ATEX

Type of construction M 30 x 1.5

- For use in areas with the risk of dust explosion, zone 20
- For use in areas with the risk of gas explosion, zone 1
- Housing material: PTFE

DMT 01 ATEX E 157

Ex II 2 G Ex mb IIC T4 Gb

Ex II 1/2 D Ex ta/tb IIIC T101°C Da/Db

IECEX BVS 07.0015

Ex mb IIC T4 Gb

Ex ta/tb IIIC T101°C Da/Db

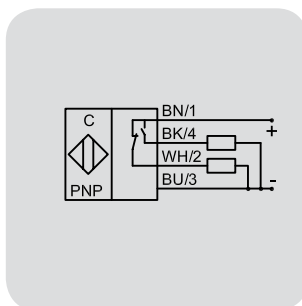
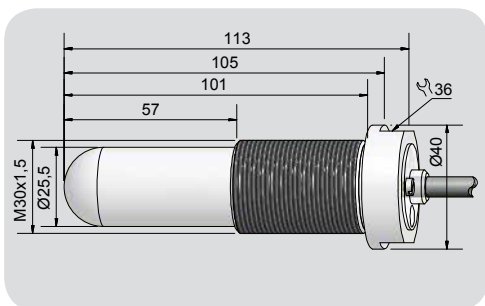


Technical data	Non-flush mountable
Level sensor, in contact with the product	Medium dependent adjustable
Operating distance min. / max. adjustable	0...20 mm
Electrical version	4-wire DC
Output function	Antivalent
Type PNP	KAS-80-26-A-K-M30-PTFE-StEx
Art.-No.	KA 1262
Operating voltage (U_B)	10...30 V DC
Voltage drop max. (U_d)	≤ 2.0 V
Permitted residual ripple max.	10 %
Operating current (I_B)	2 x 0...150 mA
No-load current (I_o)	Typ. 15 mA
Frequency of operating cycles max.	50 Hz
Permitted ambient temperature	-20...+90 °C
LED-display	Green / yellow
Protective circuit	Built-in
Degree of protection IEC 60529	IP 67*
Norm	EN 60947-5-2
Connection cable	2 m, PVC, 4 x 0.5 mm ²
Housing material	PTFE (FDA 21 CFR 177.1550)
Active surface	PTFE (FDA 21 CFR 177.1550)
Lid	PC (FDA 21 CFR 177.1580)
Media optimized	Yes

Capacitive Sensors S26 with hemispherical active surface for level control of products with a dielectric constant ϵ_r as of 1,1. Products can be:

- Bulk material, like plastic granules, powder, cereals, etc.
- Liquids, like water, juice, wine, oil, chemicals or pharmaceutical solutions and much more.
- Pastes in the food processing industry, liquid glue, resins or glue, etc.

* With sealed potentiometer screw



Made in Germany

All specifications are subject to change without notice. (04/2017)



Capacitive Sensors S26 Series 80 - PNP - StEx - ATEX

Type of construction M 30 x 1.5

- For use in areas with the risk of dust explosion, zone 20
- For use in areas with the risk of gas explosion, zone 1
- Housing material: PTFE

DMT 01 ATEX E 157	IECEX BVS 07.0015
Ex II 2 G Ex mb IIC T4 Gb	Ex mb IIC T4 Gb
Ex II 1/2 D Ex ta/tb IIIC T101°C Da/Db	Ex ta/tb IIIC T101°C Da/Db



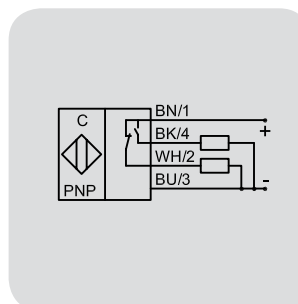
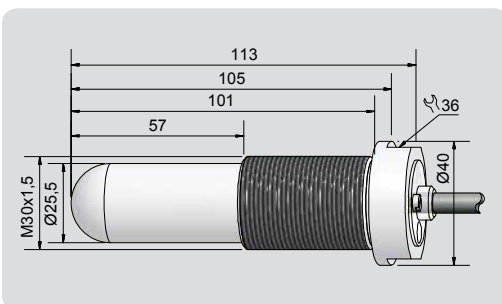
Technical data	Non-flush mountable
Level sensor, in contact with the product	Medium dependent adjustable
Operating distance min. / max. adjustable	0...20 mm
Electrical version	4-wire DC
Output function	Antivalent
Type PNP	KAS-80-26-A-K-M30-PTFE-StEx
Art.-No.	KA 1365
Operating voltage (U_B)	10...30 V DC
Voltage drop max. (U_d)	≤ 2.0 V
Permitted residual ripple max.	10 %
Operating current (I_o)	2 x 0...150 mA
No-load current (I_o)	Typ. 15 mA
Frequency of operating cycles max.	50 Hz
Permitted ambient temperature	-20...+90 °C
LED-display	Green / yellow
Protective circuit	Built-in
Degree of protection IEC 60529	IP 67*
Norm	EN 60947-5-2
Connection cable	2 m, PVC, 4 x 0.5 mm ²
Housing material	PTFE (FDA 21 CFR 177.1550)
Active surface	PTFE (FDA 21 CFR 177.1550)
Lid	PC (FDA 21 CFR 177.1580)
Media optimized	Yes

Capacitive Sensors S26 with hemispherical active surface for level control of products with a dielectric constant ϵ_r as of 1,1. Products can be:

- Bulk material, like plastic granules, powder, cereals, etc.
- Liquids, like water, juice, wine, oil, chemicals or pharmaceutical solutions and much more.
- Pastes in the food processing industry, liquid glue, resins or glue, etc.

All specifications are subject to change without notice. (04/2017)

* With sealed potentiometer screw



Made in Germany



Capacitive Sensors S26 Series 80 - PNP - StEx - ATEX

Type of construction M 30 x 1.5

- For use in areas with the risk of dust explosion, zone 20
- Housing material: PTFE
- With flange connector M 12 x 1

DMT 01 ATEX E 157

IECEX BVS 07.0015

Ex II 1/2 D Ex ta/tb IIIC T101°C Da/Db

Ex ta/tb IIIC T101°C Da/Db

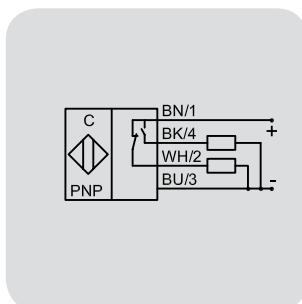
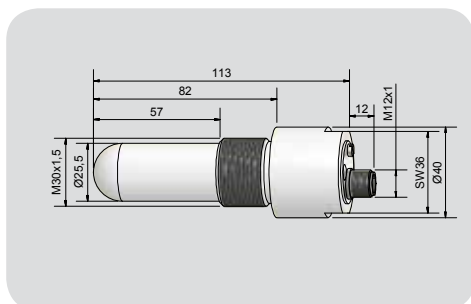


Technical data	Non-flush mountable
Level sensor, in contact with the product	Medium dependent adjustable
Operating distance min. / max. adjustable	0...20 mm
Electrical version	4-pin DC
Output function	Antivalent
Type PNP	KAS-80-26-A-K-M30-PTFE-Y5-StEx
Art.-No.	KA 1281
Operating voltage (U_B)	10...30 V DC
Voltage drop max. (U_d)	≤ 2.0 V
Permitted residual ripple max.	10 %
Operating current (I_B)	2 x 0...150 mA
No-load current (I_0)	Typ. 15 mA
Frequency of operating cycles max.	50 Hz
Permitted ambient temperature	-20...+90 °C
LED-display	Green / yellow
Protective circuit	Built-in
Degree of protection IEC 60529	IP 67*
Norm	EN 60947-5-2
Connection	Flange connector M 12 x 1
Housing material	PTFE (FDA 21 CFR 177.1550)
Active surface	PTFE (FDA 21 CFR 177.1550)
Lid	PC (FDA 21 CFR 177.1580)
Media optimized	Yes
Accessories (delivered with the sensor)	Protective clip
Accessories (not delivered with the sensor): For matching connectors please see our selection of accessories.	

Capacitive Sensors S26 with hemispherical active surface for level control of products with a dielectric constant ϵ_r as of 1,1. Products can be:

- Bulk material, like plastic granules, powder, cereals, etc.
- Liquids, like water, juice, wine, oil, chemicals or pharmaceutical solutions and much more.
- Pastes in the food processing industry, liquid glue, resins or glue, etc.

*With sealed potentiometer screw



Made in Germany

All specifications are subject to change without notice. (04/2017)



Capacitive Sensors S26 Series 80 - PNP - StEx - ATEX

Type of construction M 30 x 1.5

- For use in areas with the risk of dust explosion, zone 20
- Housing material: PTFE
- With flange connector M 12 x 1

DMT 01 ATEX E 157

IECEX BVS 07.0015

Ex II 1/2 D Ex ta/tb IIIC T101°C Da/Db

Ex ta/tb IIIC T101°C Da/Db



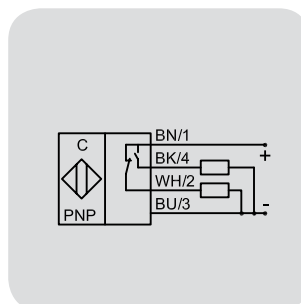
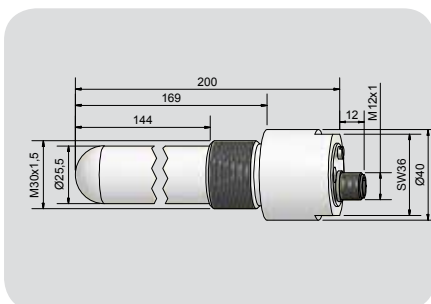
Technical data	Non-flush mountable
Level sensor, in contact with the product	Medium dependent adjustable
Operating distance min. / max. adjustable	0...20 mm
Electrical version	4-pin DC
Output function	Antivalent
Type PNP	KAS-80-26-A-K-M30-200-PTFE-Y5-StEx
Art.-No.	KA 1280
Operating voltage (U_B)	10...30 V DC
Voltage drop max. (U_d)	≤ 2.0 V
Permitted residual ripple max.	10 %
Operating current (I_o)	2 x 0...150 mA
No-load current (I_o)	Typ. 15 mA
Frequency of operating cycles max.	50 Hz
Permitted ambient temperature	-20...+90 °C
LED-display	Green / yellow
Protective circuit	Built-in
Degree of protection IEC 60529	IP 67*
Norm	EN 60947-5-2
Connection	Flange connector M 12 x 1
Housing material	PTFE (FDA 21 CFR 177.1550)
Active surface	PTFE (FDA 21 CFR 177.1550)
Lid	PC (FDA 21 CFR 177.1580)
Media optimized	Yes
Accessories (delivered with the sensor)	Protective clip
Accessories (not delivered with the sensor): For matching connectors please see our selection of accessories.	

Capacitive Sensors S26 with hemispherical active surface for level control of products with a dielectric constant ϵ_r as of 1,1. Products can be:

- Bulk material, like plastic granules, powder, cereals, etc.
- Liquids, like water, juice, wine, oil, chemicals or pharmaceutical solutions and much more.
- Pastes in the food processing industry, liquid glue, resins or glue, etc.

All specifications are subject to change without notice. (04/2017)

*With sealed potentiometer screw



Made in Germany



Capacitive Sensors S26 Series 80 - PNP - StEx - ATEX

Type of construction M 32 x 1.5

- For use in areas with the risk of dust explosion, zone 20
- For use in areas with the risk of gas explosion, zone 1
- Housing material: PTFE

DMT 01 ATEX E 157	IECEX BVS 07.0015
Ex II 2 G Ex mb IIC T4 Gb	Ex mb IIC T4 Gb
Ex II 1/2 D Ex ta/tb IIIC T101°C Da/Db	Ex ta/tb IIIC T101°C Da/Db

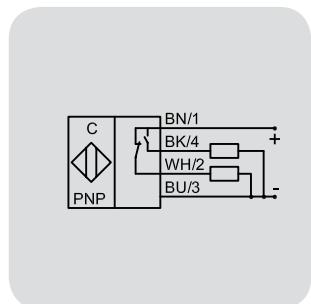
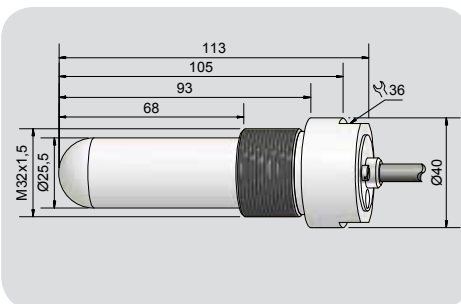


Technical data	Non-flush mountable
Level sensor, in contact with the product	Medium dependent adjustable
Operating distance min. / max. adjustable	0...20 mm
Electrical version	4-wire DC
Output function	Antivalent
Type PNP	KAS-80-26-A-K-M32-PTFE-StEx
Art.-No.	KA 0998
Operating voltage (U _B)	10...30 V DC
Voltage drop max. (U _d)	≤ 2.0 V
Permitted residual ripple max.	10 %
Operating current (I _B)	2 x 0...150 mA
No-load current (I _o)	Typ. 15 mA
Frequency of operating cycles max.	50 Hz
Permitted ambient temperature	-20...+90 °C
LED-display	Green / yellow
Protective circuit	Built-in
Degree of protection IEC 60529	IP 67*
Norm	EN 60947-5-2
Connection cable	2 m, PVC, 4 x 0.5 mm ²
Housing material	PTFE (FDA 21 CFR 177.1550)
Active surface	PTFE (FDA 21 CFR 177.1550)
Lid	PC (FDA 21 CFR 177.1580)
Media optimized	Yes

Capacitive Sensors S26 with hemispherical active surface for level control of products with a dielectric constant ϵ_r as of 1,1. Products can be:

- Bulk material, like plastic granules, powder, cereals, etc.
- Liquids, like water, juice, wine, oil, chemicals or pharmaceutical solutions and much more.
- Pastes in the food processing industry, liquid glue, resins or glue, etc.

* With sealed potentiometer screw



Made in Germany

All specifications are subject to change without notice. (04/2017)



Capacitive Sensors S26 Series 80 - PNP - StEx - ATEX

Type of construction G 1"

- For use in areas with the risk of dust explosion, zone 20
- For use in areas with the risk of gas explosion, zone 1
- Housing material: PTFE

DMT 01 ATEX E 157	IECEX BVS 07.0015
Ex II 2 G Ex mb IIC T4 Gb	Ex mb IIC T4 Gb
Ex II 1/2 D Ex ta/tb IIIC T101°C Da/Db	Ex ta/tb IIIC T101°C Da/Db



Technical data	Non-flush mountable
Level sensor, in contact with the product	Medium dependent adjustable
Operating distance min. / max. adjustable	0...20 mm
Electrical version	4-wire DC
Output function	Antivalent
Type NPN	KAS-70-26-A-K-G1"-PTFE-StEx
Art.-No.	KA 0824
Connection diagram No.	3
Type PNP	KAS-80-26-A-K-G1"-PTFE-StEx
Art.-No.	KA 0264
Connection diagram No.	6
Operating voltage (U_B)	10...30 V DC
Voltage drop max. (U_d)	≤ 2.0 V
Permitted residual ripple max.	10 %
Operating current (I_o)	2 x 0...150 mA
No-load current (I_o)	Typ. 15 mA
Frequency of operating cycles max.	50 Hz
Permitted ambient temperature	-20...+90 °C
LED-display	Green / yellow
Protective circuit	Built-in
Degree of protection IEC 60529	IP 67*
Norm	EN 60947-5-2
Connection cable	2 m, PVC, 4 x 0.5 mm ²
Housing material	PTFE (FDA 21 CFR 177.1550)
Active surface	PTFE (FDA 21 CFR 177.1550)
Lid	PC (FDA 21 CFR 177.1580)
Media optimized	Yes

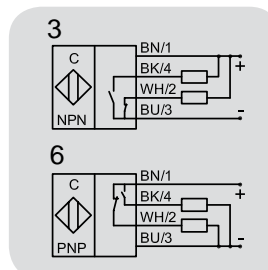
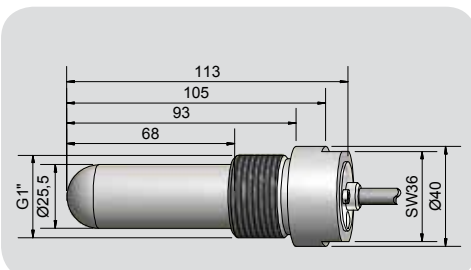
Accessories (not delivered with the sensor): For varivent adapter, triclamp adapter and welding socket please see our selection of accessories.

* With sealed potentiometer screw

Capacitive Sensors S26 with hemispherical active surface for level control of products with a dielectric constant ϵ_r as of 1,1. Products can be:

- Bulk material, like plastic granules, powder, cereals, etc.
- Liquids, like water, juice, wine, oil, chemicals or pharmaceutical solutions and much more.
- Pastes in the food processing industry, liquid glue, resins or glue, etc.

All specifications are subject to change without notice. (04/2017)



Made in Germany



Capacitive Sensors S26 Series 80 - PNP - StEx - ATEX

Type of construction G 1"

- For use in areas with the risk of dust explosion, zone 20
- For use in areas with the risk of gas explosion, zone 1
- Housing material: PTFE

DMT 01 ATEX E 157	IECEx BVS 07.0015
Ex II 2 G Ex mb IIC T4 Gb	Ex mb IIC T4 Gb
Ex II 1/2 D Ex ta/tb IIIC T101°C Da/Db	Ex ta/tb IIIC T101°C Da/Db

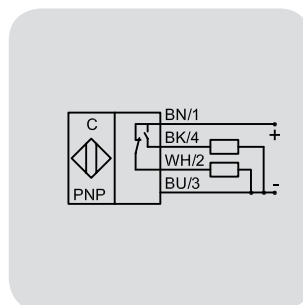
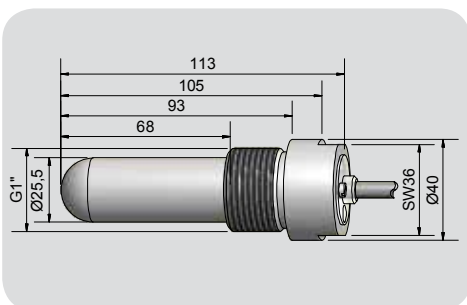


Technical data	Non-flush mountable
Level sensor, in contact with the product	Medium dependent adjustable
Operating distance min. / max. adjustable	0...20 mm
Electrical version	4-wire DC
Output function	Antivalent
Type PNP	KAS-80-26-A-K-G1"-PTFE-StEx
Art.-No.	KA 0837
Operating voltage (U _B)	10...30 V DC
Voltage drop max. (U _d)	≤ 2.0 V
Permitted residual ripple max.	10 %
Operating current (I _B)	2 x 0...150 mA
No-load current (I _o)	Typ. 15 mA
Frequency of operating cycles max.	50 Hz
Permitted ambient temperature	-20...+90 °C
LED-display	Green / yellow
Protective circuit	Built-in
Degree of protection IEC 60529	IP 67*
Norm	EN 60947-5-2
Connection cable	5 m, PVC, 4 x 0.5 mm ²
Housing material	PTFE (FDA 21 CFR 177.1550)
Active surface	PTFE (FDA 21 CFR 177.1550)
Lid	PC (FDA 21 CFR 177.1580)
Media optimized	Yes
Accessories (not delivered with the sensor): For varivent adapter, triclamp adapter and welding socket please see our selection of accessories.	

Capacitive Sensors S26 with hemispherical active surface for level control of products with a dielectric constant ϵ_r as of 1,1. Products can be:

- Bulk material, like plastic granules, powder, cereals, etc.
- Liquids, like water, juice, wine, oil, chemicals or pharmaceutical solutions and much more.
- Pastes in the food processing industry, liquid glue, resins or glue, etc.

* With sealed potentiometer screw



Made in Germany

All specifications are subject to change without notice. (04/2017)



Capacitive Sensors S26 Series 80 - PNP - StEx - ATEX

Type of construction G 1"

- For use in areas with the risk of dust explosion, zone 20
- For use in areas with the risk of gas explosion, zone 1
- Housing material: PTFE

DMT 01 ATEX E 157	IECEX BVS 07.0015
Ex II 2 G Ex mb IIC T4 Gb	Ex mb IIC T4 Gb
Ex II 1/2 D Ex ta/tb IIIC T101°C Da/Db	Ex ta/tb IIIC T101°C Da/Db



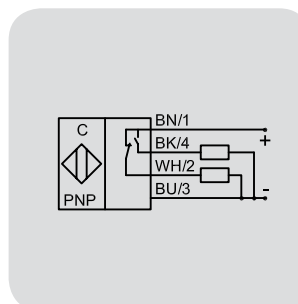
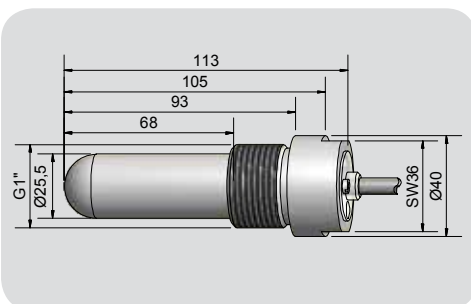
Technical data	Non-flush mountable
Level sensor, in contact with the product	Medium dependent adjustable
Operating distance min. / max. adjustable	0...20 mm
Electrical version	4-wire DC
Output function	Antivalent
Type PNP	KAS-80-26-A-K-G1"-PTFE-StEx
Art.-No.	KA 1164
Operating voltage (U_b)	10...30 V DC
Voltage drop max. (U_d)	≤ 2.0 V
Permitted residual ripple max.	10 %
Operating current (I_b)	2 x 0...150 mA
No-load current (I_0)	Typ. 15 mA
Frequency of operating cycles max.	50 Hz
Permitted ambient temperature	-20...+90 °C
LED-display	Green / yellow
Protective circuit	Built-in
Degree of protection IEC 60529	IP 67*
Norm	EN 60947-5-2
Connection cable	10 m, PVC, 4 x 0.5 mm ²
Housing material	PTFE (FDA 21 CFR 177.1550)
Active surface	PTFE (FDA 21 CFR 177.1550)
Lid	PC (FDA 21 CFR 177.1580)
Media optimized	Yes

Capacitive Sensors S26 with hemispherical active surface for level control of products with a dielectric constant ϵ_r as of 1,1. Products can be:

- Bulk material, like plastic granules, powder, cereals, etc.
- Liquids, like water, juice, wine, oil, chemicals or pharmaceutical solutions and much more.
- Pastes in the food processing industry, liquid glue, resins or glue, etc.

Accessories (not delivered with the sensor): For varivent adapter, triclamp adapter and welding socket please see our selection of accessories.

* With sealed potentiometer screw



All specifications are subject to change without notice. (04/2017)

Made in Germany



Capacitive Sensors S26 Series 80 - PNP - StEx - ATEX

Type of construction G 1"

- For use in areas with the risk of dust explosion, zone 20
- Housing material: PTFE
- With flange connector M 12 x 1

DMT 01 ATEX E 157

IECEX BVS 07.0015

Ex II 1/2 D Ex ta/tb IIIC T101°C Da/Db

Ex ta/tb IIIC T101°C Da/Db

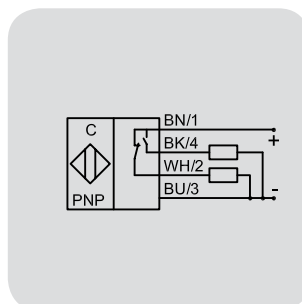
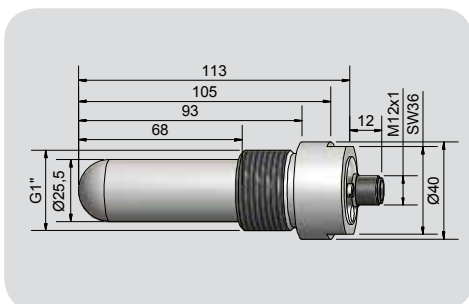


Technical data	Non-flush mountable
Level sensor, in contact with the product	Medium dependent adjustable
Operating distance min. / max. adjustable	0...20 mm
Electrical version	4-pin DC
Output function	Antivalent
Type PNP	KAS-80-26-A-K-G1"-PTFE-Y5-StEx
Art.-No.	KA 0655
Operating voltage (U _B)	10...30 V DC
Voltage drop max. (U ₃)	≤ 2.0 V
Permitted residual ripple max.	10 %
Operating current (I _B)	2 x 0...150 mA
No-load current (I ₀)	Typ. 15 mA
Frequency of operating cycles max.	50 Hz
Permitted ambient temperature	-20...+90 °C
LED-display	Green / yellow
Protective circuit	Built-in
Degree of protection IEC 60529	IP 67*
Norm	EN 60947-5-2
Connection	Flange connector M 12 x 1
Housing material	PTFE (FDA 21 CFR 177.1550)
Active surface	PTFE (FDA 21 CFR 177.1550)
Lid	PC (FDA 21 CFR 177.1580)
Media optimized	Yes
Accessories (delivered with the sensor)	Protective clip
Accessories (not delivered with the sensor): For varivent adapter, triclamp adapter, welding socket and matching connectors please see our selection of accessories.	

Capacitive Sensors S26 with hemispherical active surface for level control of products with a dielectric constant ϵ_r as of 1,1. Products can be:

- Bulk material, like plastic granules, powder, cereals, etc.
- Liquids, like water, juice, wine, oil, chemicals or pharmaceutical solutions and much more.
- Pastes in the food processing industry, liquid glue, resins or glue, etc.

* With sealed potentiometer screw



Made in Germany

All specifications are subject to change without notice. (04/2017)



Capacitive Sensors S26 Series 80 - PNP - StEx - ATEX

Type of construction G 1"

- For use in areas with the risk of dust explosion, zone 20
- For use in areas with the risk of gas explosion, zone 1
- Housing material: PEEK

DMT 01 ATEX E 157	IECEX BVS 07.0015
Ex II 2 G Ex mb IIC T4 Gb	Ex mb IIC T4 Gb
Ex II 1/2 D Ex ta/tb IIIC T101°C Da/Db	Ex ta/tb IIIC T101°C Da/Db



Technical data	Non-flush mountable
Level sensor, in contact with the product	Medium dependent adjustable
Operating distance min. / max. adjustable	0...20 mm
Electrical version	4-wire DC
Output function	Antivalent
Type PNP	KAS-80-26-A-K-G1"-PEEK-StEx
Art.-No.	KA 1395
Operating voltage (U_B)	10...30 V DC
Voltage drop max. (U_d)	≤ 2.0 V
Permitted residual ripple max.	10 %
Operating current (I_o)	2 x 0...150 mA
No-load current (I_o)	Typ. 15 mA
Frequency of operating cycles max.	50 Hz
Permitted ambient temperature	-20...+90 °C
LED-display	Green / yellow
Protective circuit	Built-in
Degree of protection IEC 60529	IP 67*
Norm	EN 60947-5-2
Connection cable	2 m, PVC, 4 x 0.5 mm ²
Housing material	PEEK (FDA 21 CFR 177.2415)
Active surface	PEEK (FDA 21 CFR 177.2415)
Lid	PC (FDA 21 CFR 177.1580)
Media optimized	Yes

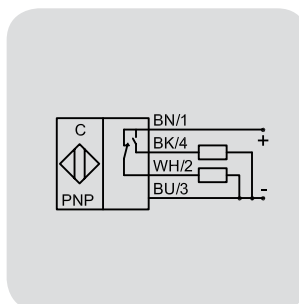
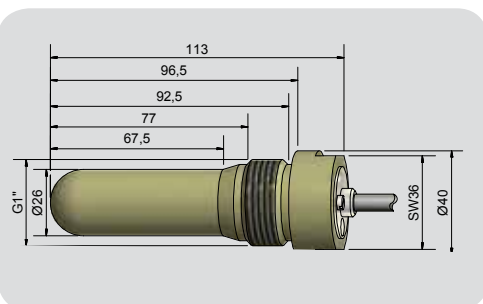
Accessories (not delivered with the sensor): For varivent adapter, triclamp adapter and welding socket please see our selection of accessories.

* With sealed potentiometer screw

Capacitive Sensors S26 with hemispherical active surface for level control of products with a dielectric constant ϵ_r as of 1,1. Products can be:

- Bulk material, like plastic granules, powder, cereals, etc.
- Liquids, like water, juice, wine, oil, chemicals or pharmaceutical solutions and much more.
- Pastes in the food processing industry, liquid glue, resins or glue, etc.

All specifications are subject to change without notice. (04/2017)



Made in Germany



Capacitive Sensors S26 Series 80 - PNP - StEx - ATEX

Type of construction G 1*

- For use in areas with the risk of dust explosion, zone 20
- For use in areas with the risk of gas explosion, zone 1
- Housing material: PTFE
- Special version with flange. Sealing can be made with a gasket or PTFE-tape (not delivered with the sensor)

DMT 01 ATEX E 157	IECEX BVS 07.0015
Ex II 2 G Ex mb IIC T4 Gb	Ex mb IIC T4 Gb
Ex II 1/2 D Ex ta/tb IIIC T101°C Da/Db	Ex ta/tb IIIC T101°C Da/Db

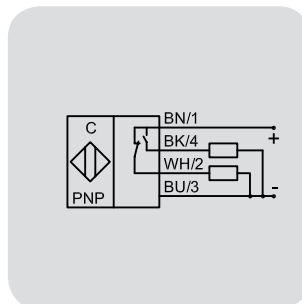
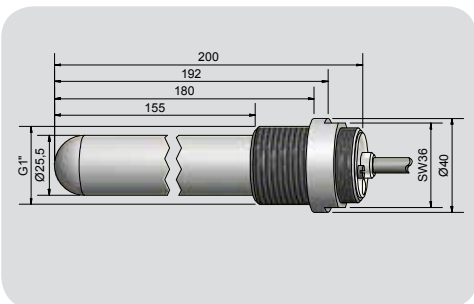


Technical data	Non-flush mountable
Level sensor, in contact with the product	Medium dependent adjustable
Operating distance min. / max. adjustable	0...20 mm
Electrical version	4-wire DC
Output function	Antivalent
Type PNP	KAS-80-26-A-K-G1*-200-PTFE-StEx
Art.-No.	KA 0444
Operating voltage (U _B)	10...30 V DC
Voltage drop max. (U _d)	≤ 2.0 V
Permitted residual ripple max.	10 %
Operating current (I _B)	2 x 0...150 mA
No-load current (I ₀)	Typ. 15 mA
Frequency of operating cycles max.	50 Hz
Permitted ambient temperature	-20...+90 °C
LED-display	Green / yellow
Protective circuit	Built-in
Degree of protection IEC 60529	IP 67*
Norm	EN 60947-5-2
Connection cable	2 m, PVC, 4 x 0.5 mm ²
Housing material	PTFE (FDA 21 CFR 177.1550)
Active surface	PTFE (FDA 21 CFR 177.1550)
Lid	PC (FDA 21 CFR 177.1580)
Media optimized	Yes
Accessories (not delivered with the sensor): For varivent adapter, triclamp adapter, welding socket and protection Set M32 / PTFE # 196301 please see our selection of accessories.	

Capacitive Sensors S26 with hemispherical active surface for level control of products with a dielectric constant ϵ_r as of 1,1. Products can be:

- Bulk material, like plastic granules, powder, cereals, etc.
- Liquids, like water, juice, wine, oil, chemicals or pharmaceutical solutions and much more.
- Pastes in the food processing industry, liquid glue, resins or glue, etc.

* With sealed potentiometer screw



Made in Germany

All specifications are subject to change without notice. (04/2017)



Capacitive Sensors S26 Series 80 - PNP - StEx - ATEX

Type of construction G 1"

- For use in areas with the risk of dust explosion, zone 20
- For use in areas with the risk of gas explosion, zone 1
- Housing material: PTFE
- Special version with flange. Sealing can be made with a gasket or PTFE-tape (not delivered with the sensor)

DMT 01 ATEX E 157	IECEX BVS 07.0015
Ex II 2 G Ex mb IIC T4 Gb	Ex mb IIC T4 Gb
Ex II 1/2 D Ex ta/tb IIIC T101°C Da/Db	Ex ta/tb IIIC T101°C Da/Db



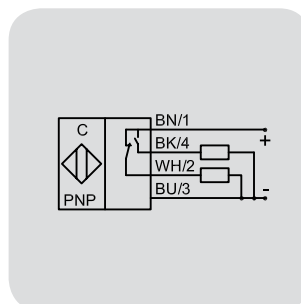
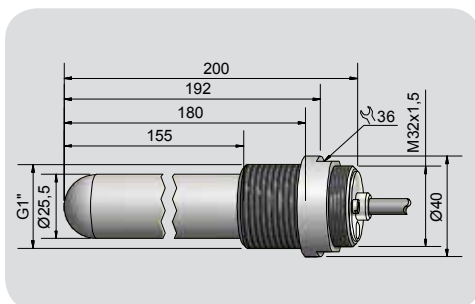
Technical data	Non-flush mountable
Level sensor, in contact with the product	Medium dependent adjustable
Operating distance min. / max. adjustable	0...20 mm
Electrical version	4-wire DC
Output function	Antivalent
Type PNP	KAS-80-26-A-K-G1"-200-PTFE-StEx
Art.-No.	KA 1253
Operating voltage (U _B)	10...30 V DC
Voltage drop max. (U _d)	≤ 2.0 V
Permitted residual ripple max.	10 %
Operating current (I _e)	2 x 0...150 mA
No-load current (I _o)	Typ. 15 mA
Frequency of operating cycles max.	50 Hz
Permitted ambient temperature	-20...+90 °C
LED-display	Green / yellow
Protective circuit	Built-in
Degree of protection IEC 60529	IP 67*
Norm	EN 60947-5-2
Connection cable	5 m, PVC, 4 x 0.5 mm ²
Housing material	PTFE (FDA 21 CFR 177.1550)
Active surface	PTFE (FDA 21 CFR 177.1550)
Lid	PC (FDA 21 CFR 177.1580)
Media optimized	Yes
Accessories (not delivered with the sensor): For varivent adapter, triclamp adapter, welding socket and protection Set M32 / PTFE # 196301 please see our selection of accessories.	

Capacitive Sensors S26 with hemispherical active surface for level control of products with a dielectric constant ϵ_r as of 1,1. Products can be:

- Bulk material, like plastic granules, powder, cereals, etc.
- Liquids, like water, juice, wine, oil, chemicals or pharmaceutical solutions and much more.
- Pastes in the food processing industry, liquid glue, resins or glue, etc.

All specifications are subject to change without notice. (04/2017)

* With sealed potentiometer screw



Made in Germany



Capacitive Sensors S26 Series 80 - PNP - StEx - ATEX

Type of construction G 1"

- For use in areas with the risk of dust explosion, zone 20
- Housing material: PTFE
- Special version with flange. Sealing can be made with a gasket or PTFE-tape (not delivered with the sensor)
- With flange connector M 12 x 1

DMT 01 ATEX E 157

IECEX BVS 07.0015

Ex II 1/2 D Ex ta/tb IIIC T101°C Da/Db

Ex ta/tb IIIC T101°C Da/Db

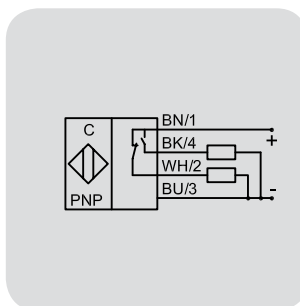
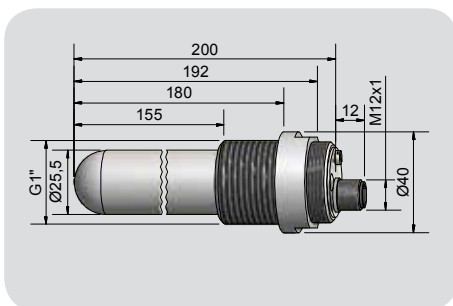


Technical data	Non-flush mountable
Level sensor, in contact with the product	Medium dependent adjustable
Operating distance min. / max. adjustable	0...20 mm
Electrical version	4-pin DC
Output function	Antivalent
Type PNP	KAS-80-26-A-K-G1"-200-PTFE-Y5-StEx
Art.-No.	KA 0981
Operating voltage (U _B)	10...30 V DC
Voltage drop max. (U ₃)	≤ 2.0 V
Permitted residual ripple max.	10 %
Operating current (I _B)	2 x 0...150 mA
No-load current (I ₀)	Typ. 15 mA
Frequency of operating cycles max.	50 Hz
Permitted ambient temperature	-20...+90 °C / CIP 121 °C (zero-current)
LED-display	Green / yellow
Protective circuit	Built-in
Degree of protection IEC 60529	IP 67*
Norm	EN 60947-5-2
Connection	Flange connector M 12 x 1
Housing material	PTFE (FDA 21 CFR 177.1550)
Active surface	PTFE (FDA 21 CFR 177.1550)
Lid	PC (FDA 21 CFR 177.1580)
Media optimized	Yes
Accessories (delivered with the sensor)	Protective clip
Accessories (not delivered with the sensor): For varivent adapter, triclamp adapter, welding socket and matching connectors please see our selection of accessories.	

Capacitive Sensors S26 with hemispherical active surface for level control of products with a dielectric constant ϵ_r as of 1,1. Products can be:

- Bulk material, like plastic granules, powder, cereals, etc.
- Liquids, like water, juice, wine, oil, chemicals or pharmaceutical solutions and much more.
- Pastes in the food processing industry, liquid glue, resins or glue, etc.

*With sealed potentiometer screw



Made in Germany

All specifications are subject to change without notice. (04/2017)



Capacitive Sensors S26 Series 80 - PNP - StEx - ATEX

Type of construction G 1"

- For use in areas with the risk of dust explosion, zone 20
- Housing material: PEEK
- With flange connector M 12 x 1

DMT 01 ATEX E 157

IECEX BVS 07.0015

Ex II 1/2 D Ex ta/tb IIIC T101°C Da/Db

Ex ta/tb IIIC T101°C Da/Db



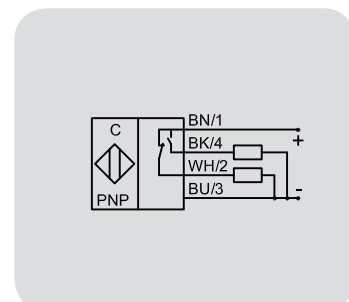
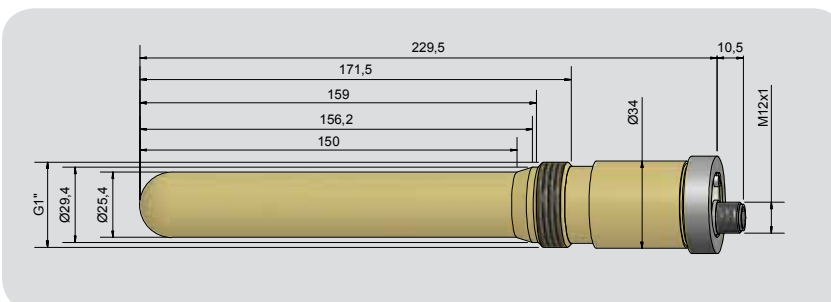
Technical data	Non-flush mountable
Level sensor, in contact with the product	Medium dependent adjustable
Operating distance min. / max. adjustable	0...20 mm
Electrical version	4-pin DC
Output function	Antivalent
Type PNP	KAS-80-26-A-G1"-230-PEEK/VA-Y5-StEx
Art.-No.	KA 0861
Operating voltage (U_B)	10...30 V DC
Voltage drop max. (U_d)	≤ 2.0 V
Permitted residual ripple max.	10 %
Operating current (I_B)	2 x 0...150 mA
No-load current (I_0)	Typ. 15 mA
Frequency of operating cycles max.	50 Hz
Permitted ambient temperature	-20...+90 °C / CIP 121 °C (zero-current)
LED-display	Green / yellow
Protective circuit	Built-in
Degree of protection IEC 60529	IP 67*
Norm	EN 60947-5-2
Connection	Flange connector M 12 x 1
Housing material	PEEK (FDA 21 CFR 177.2415)
Active surface	PEEK (FDA 21 CFR 177.2415)
Lid	PC (FDA 21 CFR 177.1580) VA No. 1.4305 / AISI 303
Media optimized	Yes
Accessories (delivered with the sensor)	Protective clip
Accessories (not delivered with the sensor): For varivent adapter, triclamp adapter, welding socket and matching connectors please see our selection of accessories.	

Capacitive Sensors S26 with hemispherical active surface for level control of products with a dielectric constant ϵ_r as of 1,1. Products can be:

- Bulk material, like plastic granules, powder, cereals, etc.
- Liquids, like water, juice, wine, oil, chemicals or pharmaceutical solutions and much more.
- Pastes in the food processing industry, liquid glue, resins or glue, etc.

All specifications are subject to change without notice. (04/2017)

* With sealed potentiometer screw



Made in Germany



Capacitive Sensors S26 Series 80 - PNP - StEx - ATEX

Type of construction G 1*

- For use in areas with the risk of dust explosion, zone 20
- For use in areas with the risk of gas explosion, zone 1
- Housing material: PTFE

DMT 01 ATEX E 157

IECEX BVS 07.0015

Ex II 2 G Ex mb IIC T4 Gb

Ex mb IIC T4 Gb

Ex II 1/2 D Ex ta/tb IIIC T101°C Da/Db

Ex ta/tb IIIC T101°C Da/Db



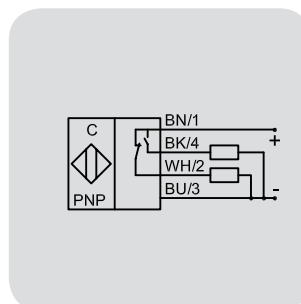
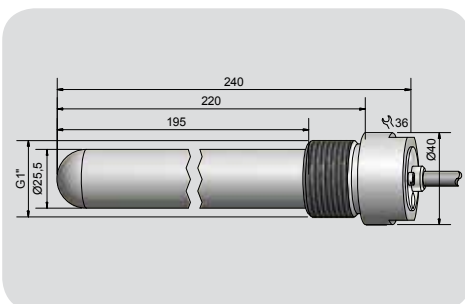
Technical data	Non-flush mountable
Level sensor, in contact with the product	Medium dependent adjustable
Operating distance min. / max. adjustable	0...20 mm
Electrical version	4-wire DC
Output function	Antivalent
Type PNP	KAS-80-26-A-K-G1"-240-PTFE-StEx
Art.-No.	KA 1180
Operating voltage (U_B)	10...30 V DC
Voltage drop max. (U_d)	≤ 2.0 V
Permitted residual ripple max.	10 %
Operating current (I_B)	2 x 0...150 mA
No-load current (I_0)	Typ. 15 mA
Frequency of operating cycles max.	50 Hz
Permitted ambient temperature	-20...+90 °C
LED-display	Green / yellow
Protective circuit	Built-in
Degree of protection IEC 60529	IP 67*
Norm	EN 60947-5-2
Connection cable	5 m, PVC, 4 x 0.5 mm ²
Housing material	PTFE (FDA 21 CFR 177.1550)
Active surface	PTFE (FDA 21 CFR 177.1550)
Lid	PC (FDA 21 CFR 177.1580)
Media optimized	Yes

Capacitive Sensors S26 with hemispherical active surface for level control of products with a dielectric constant ϵ_r as of 1,1. Products can be:

- Bulk material, like plastic granules, powder, cereals, etc.
- Liquids, like water, juice, wine, oil, chemicals or pharmaceutical solutions and much more.
- Pastes in the food processing industry, liquid glue, resins or glue, etc.

Accessories (not delivered with the sensor): For varivent adapter, triclamp adapter and welding socket please see our selection of accessories.

* With sealed potentiometer screw



Made in Germany

All specifications are subject to change without notice. (04/2017)



Capacitive Sensors S26 Series 80 - PNP - StEx - ATEX

Type of construction G 1"

- For use in areas with the risk of dust explosion, zone 20
- Housing material: PTFE
- Special version with flange. Sealing can be made with a gasket or PTFE-tape (not delivered with the sensor)
- With flange connector M 12 x 1

DMT 01 ATEX E 157

IECEX BVS 07.0015

Ex II 1/2 D Ex ta/tb IIIC T101°C Da/Db

Ex ta/tb IIIC T101°C Da/Db



Technical data	Non-flush mountable
Level sensor, in contact with the product	Medium dependent adjustable
Operating distance min. / max. adjustable	0...20 mm
Electrical version	4-pin DC
Output function	Antivalent
Type PNP	KAS-80-26-A-K-G1"-240-PTFE-Y5-StEx
Art.-No.	KA 1279
Operating voltage (U _B)	10...30 V DC
Voltage drop max. (U _d)	≤ 2.0 V
Permitted residual ripple max.	10 %
Operating current (I _e)	2 x 0...150 mA
No-load current (I ₀)	Typ. 15 mA
Frequency of operating cycles max.	50 Hz
Permitted ambient temperature	-20...+90 °C
LED-display	Green / yellow
Protective circuit	Built-in
Degree of protection IEC 60529	IP 67*
Norm	EN 60947-5-2
Connection	Connector M 12 x 1
Housing material	PTFE (FDA 21 CFR 177.1550)
Active surface	PTFE (FDA 21 CFR 177.1550)
Lid	PC (FDA 21 CFR 177.1580)
Media optimized	Yes

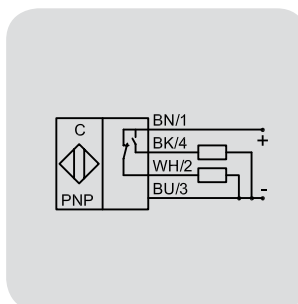
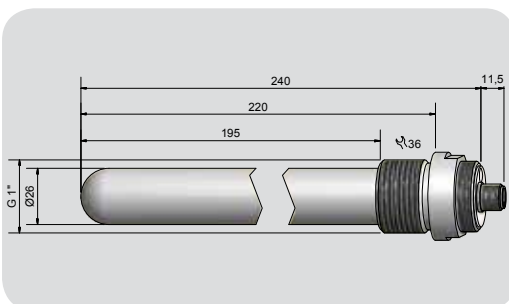
Accessories (not delivered with the sensor): For varivent adapter, triclamp adapter, welding socket and matching connectors please see our selection of accessories.

* With sealed potentiometer screw

Capacitive Sensors S26 with hemispherical active surface for level control of products with a dielectric constant ϵ_r as of 1,1. Products can be:

- Bulk material, like plastic granules, powder, cereals, etc.
- Liquids, like water, juice, wine, oil, chemicals or pharmaceutical solutions and much more.
- Pastes in the food processing industry, liquid glue, resins or glue, etc.

All specifications are subject to change without notice. (04/2017)



Made in Germany



Capacitive Sensors S26 Series 80 - PNP - StEx - ATEX

Type of construction G 1"

- For use in areas with the risk of dust explosion, zone 20
- For use in areas with the risk of gas explosion, zone 1
- Housing material: PTFE
- Special version with flange. Sealing can be made with a gasket or PTFE-tape (not delivered with the sensor)

DMT 01 ATEX E 157	IECEX BVS 07.0015
Ex II 2 G Ex mb IIC T4 Gb	Ex mb IIC T4 Gb
Ex II 1/2 D Ex ta/tb IIIC T101°C Da/Db	Ex ta/tb IIIC T101°C Da/Db

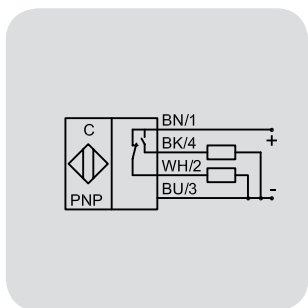
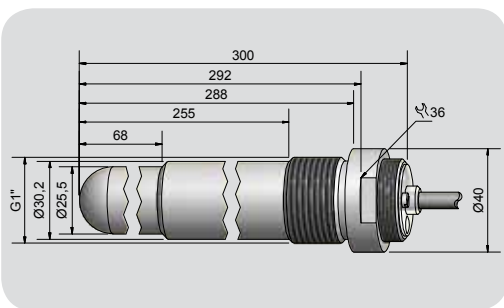


Technical data	Non-flush mountable
Level sensor, in contact with the product	Medium dependent adjustable
Operating distance min. / max. adjustable	0...20 mm
Electrical version	4-wire DC
Output function	Antivalent
Type PNP	KAS-80-26-A-K-G1"-300-PTFE-StEx
Art.-No.	KA 0795
Operating voltage (U _B)	10...30 V DC
Voltage drop max. (U _g)	≤ 2.0 V
Permitted residual ripple max.	10 %
Operating current (I _e)	2 x 0...150 mA
No-load current (I _o)	Typ. 15 mA
Frequency of operating cycles max.	50 Hz
Permitted ambient temperature	-20...+90 °C
LED-display	Green / yellow
Protective circuit	Built-in
Degree of protection IEC 60529	IP 67*
Norm	EN 60947-5-2
Connection cable	2 m, PVC, 4 x 0.5 mm ²
Housing material	PTFE (FDA 21 CFR 177.1550)
Active surface	PTFE (FDA 21 CFR 177.1550)
Lid	PC (FDA 21 CFR 177.1580)
Media optimized	Yes
Accessories (not delivered with the sensor): For varivent adapter, triclamp adapter and welding socket please see our selection of accessories.	

Capacitive Sensors S26 with hemispherical active surface for level control of products with a dielectric constant ϵ_r as of 1,1. Products can be:

- Bulk material, like plastic granules, powder, cereals, etc.
- Liquids, like water, juice, wine, oil, chemicals or pharmaceutical solutions and much more.
- Pastes in the food processing industry, liquid glue, resins or glue, etc.

* With sealed potentiometer screw



Made in Germany

All specifications are subject to change without notice. (04/2017)



Capacitive Sensors S26 Series 80 - PNP - StEx - ATEX

Type of construction G 1"

- For use in areas with the risk of dust explosion, zone 20
- Housing material: PTFE
- With flange connector M 12 x 1

DMT 01 ATEX E 157

IECEX BVS 07.0015

Ex II 1/2 D Ex ta/tb IIIC T101°C Da/Db

Ex ta/tb IIIC T101°C Da/Db



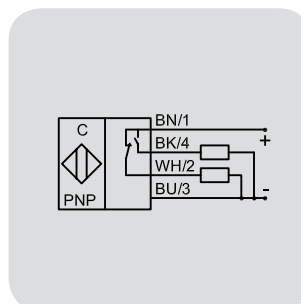
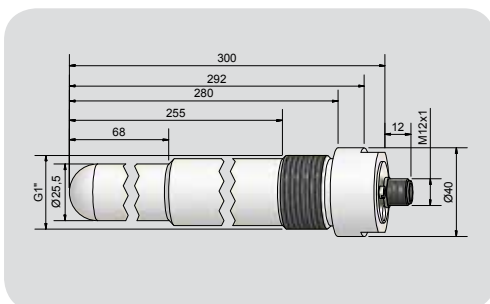
Technical data	Non-flush mountable
Level sensor, in contact with the product	Medium dependent adjustable
Operating distance min. / max. adjustable	0...20 mm
Electrical version	4-pin DC
Output function	Antivalent
Type PNP	KAS-80-26-A-K-G1"-300-PTFE-Y5-StEx
Art.-No.	KA 1228
Operating voltage (U_B)	10...30 V DC
Voltage drop max. (U_d)	≤ 2.0 V
Permitted residual ripple max.	10 %
Operating current (I_o)	2 x 0...150 mA
No-load current (I_o)	Typ. 15 mA
Frequency of operating cycles max.	50 Hz
Permitted ambient temperature	-20...+90 °C
LED-display	Green / yellow
Protective circuit	Built-in
Degree of protection IEC 60529	IP 67*
Norm	EN 60947-5-2
Connection	Flange connector M 12 x 1
Housing material	PTFE (FDA 21 CFR 177.1550)
Active surface	PTFE (FDA 21 CFR 177.1550)
Lid	PC (FDA 21 CFR 177.1580)
Media optimized	Yes
Accessories (delivered with the sensor)	Protective clip
Accessories (not delivered with the sensor): For varivent adapter, triclamp adapter, welding socket and matching connectors please see our selection of accessories.	

Capacitive Sensors S26 with hemispherical active surface for level control of products with a dielectric constant ϵ_r as of 1,1. Products can be:

- Bulk material, like plastic granules, powder, cereals, etc.
- Liquids, like water, juice, wine, oil, chemicals or pharmaceutical solutions and much more.
- Pastes in the food processing industry, liquid glue, resins or glue, etc.

All specifications are subject to change without notice. (04/2017)

*With sealed potentiometer screw



Made in Germany



Capacitive Sensors S26

Series 70 - NPN - StEx - ATEX
Series 80 - PNP - StEx - ATEX

Type of construction Triclamp DN 25

- For use in areas with the risk of dust explosion, zone 20
- For use in areas with the risk of gas explosion, zone 1
- Housing material: PTFE

DMT 01 ATEX E 157	IECEX BVS 07.0015
Ex II 2 G Ex mb IIC T4 Gb	Ex mb IIC T4 Gb
Ex II 1/2 D Ex ta/tb IIIC T101°C Da/Db	Ex ta/tb IIIC T101°C Da/Db



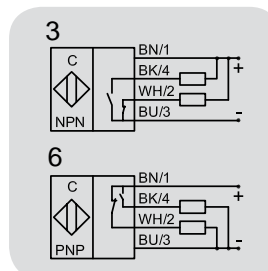
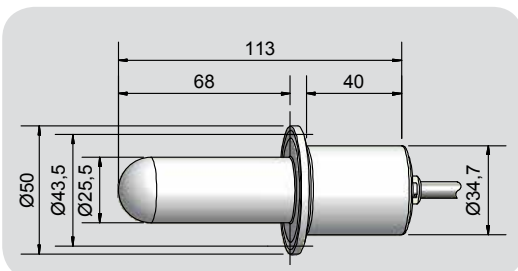
Technical data	Non-flush mountable
Level sensor, in contact with the product	Medium dependent adjustable
Operating distance min. / max. adjustable	0...20 mm
Electrical version	4-wire DC
Output function	Antivalent
Type NPN	KAS-70-26-A-K-Tri-PTFE-StEx
Art.-No.	KA 1183
Connection diagram No.	3
Type PNP	KAS-80-26-A-K-Tri-PTFE-StEx
Art.-No.	KA 0421
Connection diagram No.	6
Operating voltage (U _B)	10...30 V DC
Voltage drop max. (U _v)	≤ 2.0 V
Permitted residual ripple max.	10 %
Operating current (I _o)	2 x 0...150 mA
No-load current (I _o)	Typ. 15 mA
Frequency of operating cycles max.	50 Hz
Permitted ambient temperature	-20...+90 °C
LED-display	Green / yellow
Protective circuit	Built-in
Degree of protection IEC 60529	IP 67*
Norm	EN 60947-5-2
Connection cable	2 m, PVC, 4 x 0.5 mm ²
Housing material	PTFE (FDA 21 CFR 177.1550)
Active surface	PTFE (FDA 21 CFR 177.1550)
Lid	PC (FDA 21 CFR 177.1580)
Media optimized	Yes

Capacitive Sensors S26 with hemispherical active surface for level control of products with a dielectric constant ϵ_r as of 1,1. Products can be:

- Bulk material, like plastic granules, powder, cereals, etc.
- Liquids, like water, juice, wine, oil, chemicals or pharmaceutical solutions and much more.
- Pastes in the food processing industry, liquid glue, resins or glue, etc.

Accessories (not delivered with the sensor): Stainless steel welding nipple DN 25 # 190751, Sealing gasket # 190752, Triclamp mounting clamp # 190750 please see our selection of accessories.

* With sealed potentiometer screw



Made in Germany

All specifications are subject to change without notice. (04/2017)



Capacitive Sensors S26 Series 80 - PNP - StEx - ATEX

Type of construction Triclamp DN 25

- For use in areas with the risk of dust explosion, zone 20
- Housing material: PTFE
- With flange connector M 12 x 1

DMT 01 ATEX E 157

IECEX BVS 07.0015

Ex II 1/2 D Ex ta/tb IIIC T101°C Da/Db

Ex ta/tb IIIC T101°C Da/Db



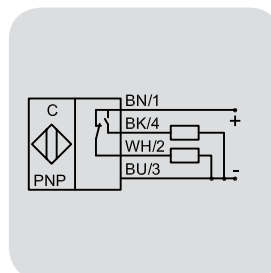
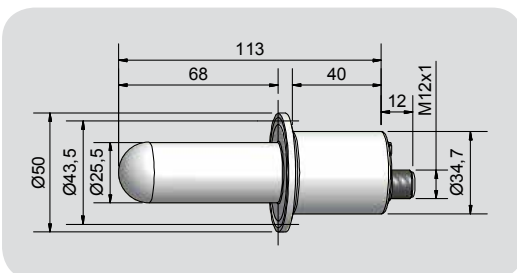
Technical data	Non-flush mountable
Level sensor, in contact with the product	Medium dependent adjustable
Operating distance min. / max. adjustable	0...20 mm
Electrical version	4-pin DC
Output function	Antivalent
Type PNP	KAS-80-26-A-K-Tri-PTFE-Y5-StEx
Art.-No.	KA 0829
Operating voltage (U_B)	10...30 V DC
Voltage drop max. (U_d)	≤ 2.0 V
Permitted residual ripple max.	10 %
Operating current (I_o)	2 x 0...150 mA
No-load current (I_o)	Typ. 15 mA
Frequency of operating cycles max.	50 Hz
Permitted ambient temperature	-20...+90 °C
LED-display	Green / yellow
Protective circuit	Built-in
Degree of protection IEC 60529	IP 67*
Norm	EN 60947-5-2
Connection	Flange connector M 12 x 1
Housing material	PTFE (FDA 21 CFR 177.1550)
Active surface	PTFE (FDA 21 CFR 177.1550)
Lid	PC (FDA 21 CFR 177.1580)
Media optimized	Yes
Accessories (delivered with the sensor)	Protective clip
Accessories (not delivered with the sensor): Stainless steel welding nipple DN 25 # 190751, Sealing gasket # 190752, Triclamp mounting clamp # 190750 and matching connectors please see our selection of accessories.	

Capacitive Sensors S26 with hemispherical active surface for level control of products with a dielectric constant ϵ_r as of 1,1. Products can be:

- Bulk material, like plastic granules, powder, cereals, etc.
- Liquids, like water, juice, wine, oil, chemicals or pharmaceutical solutions and much more.
- Pastes in the food processing industry, liquid glue, resins or glue, etc.

All specifications are subject to change without notice. (04/2017)

* With sealed potentiometer screw



Made in Germany



Capacitive Sensors S26 Series 80 - PNP - StEx - ATEX

Type of construction G 1*

- For use in areas with the risk of dust explosion, zone 20
- Housing material: PEEK
- With flange connector M 12 x 1

DMT 01 ATEX E 157

IECEX BVS 07.0015

Ex II 1/2 D Ex ta/tb IIIC T101°C Da/Db

Ex ta/tb IIIC T101°C Da/Db

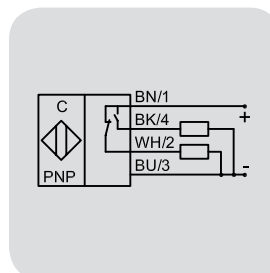
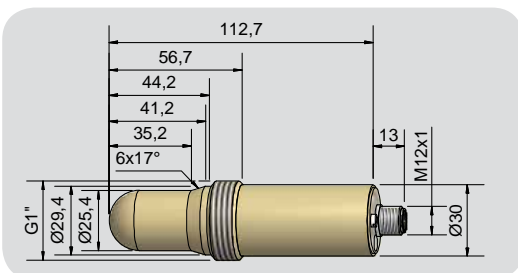


Technical data	Non-flush mountable
Level sensor, in contact with the product	Medium dependent adjustable
Operating distance min. / max. adjustable	0...20 mm
Electrical version	4-pin DC
Output function	Antivalent
Type PNP	KAS-80-26-A-K-G1"-PEEK-Y5-StEx
Art.-No.	KA 0767
Operating voltage (U_B)	10...30 V DC
Voltage drop max. (U_d)	≤ 2.0 V
Permitted residual ripple max.	10 %
Operating current (I_B)	2 x 0...150 mA
No-load current (I_0)	Typ. 15 mA
Frequency of operating cycles max.	50 Hz
Permitted ambient temperature	-20...+90 °C
LED-display	Green / yellow
Protective circuit	Built-in
Degree of protection IEC 60529	IP 67*
Norm	EN 60947-5-2
Connection	Flange connector M 12 x 1
Housing material	PEEK (FDA 21 CFR 177.2415)
Active surface	PEEK (FDA 21 CFR 177.2415)
Lid	PC (FDA 21 CFR 177.1580)
Media optimized	Yes
Accessories (delivered with the sensor)	Protective clip
Accessories (not delivered with the sensor): For varivent adapter, triclamp adapter, welding socket and matching connectors please see our selection of accessories.	

Capacitive Sensors S26 with hemispherical active surface for level control of products with a dielectric constant ϵ_r as of 1,1. Products can be:

- Bulk material, like plastic granules, powder, cereals, etc.
- Liquids, like water, juice, wine, oil, chemicals or pharmaceutical solutions and much more.
- Pastes in the food processing industry, liquid glue, resins or glue, etc.

* With sealed potentiometer screw



Made in Germany

All specifications are subject to change without notice. (04/2017)



Capacitive Sensors S26 Series 80 - PNP

Type of construction Ø 22 mm

- For use in zone 22
- Housing material: PTFE
- With flange connector M 12 x 1

With manufacturer certificate

Ex II 3D Ex mc IIIC T101°C Dc IP67 X



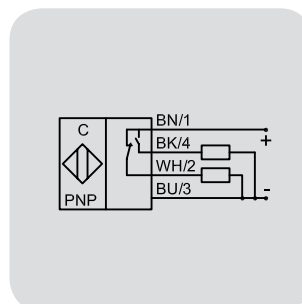
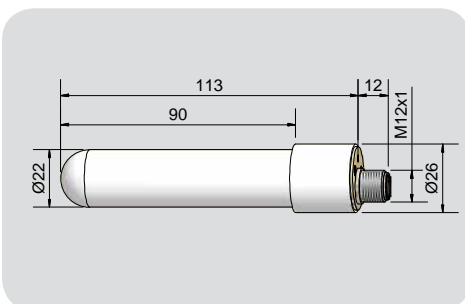
Technical data	Non-flush mountable
Level sensor, in contact with the product	Medium dependent adjustable
Operating distance min. / max. adjustable	0...20 mm
Electrical version	4-pin DC
Output function	Antivalent
Type PNP	KAS-80-26-A-K-22-PTFE-Y5-3D
Art.-No.	KA 1366
Operating voltage (U_B)	10...30 V DC
Voltage drop max. (U_d)	≤ 2.0 V
Permitted residual ripple max.	10 %
Operating current (I_o)	2 x 0...200 mA
No-load current (I_o)	Typ. 15 mA
Frequency of operating cycles max.	50 Hz
Permitted ambient temperature	-25...+70 °C / CIP 121 °C (zero-current)
LED-display	Green / yellow
Protective circuit	Built-in
Degree of protection IEC 60529	IP 67*
Norm	EN 60947-5-2
Connection	Flange connector M 12 x 1
Housing material	PTFE (FDA 21 CFR 177.1550)
Active surface	PTFE (FDA 21 CFR 177.1550)
Lid	PEEK (FDA 21 CFR 177.2415)
Media optimized	Yes
Accessories (not delivered with the sensor): For matching connectors please see our selection of accessories.	

Capacitive Sensors S26 with hemispherical active surface for level control of products with a dielectric constant ϵ_r as of 1,1. Products can be:

- Bulk material, like plastic granules, powder, cereals, etc.
- Liquids, like water, juice, wine, oil, chemicals or pharmaceutical solutions and much more.
- Pastes in the food processing industry, liquid glue, resins or glue, etc.

All specifications are subject to change without notice. (04/2017)

* With sealed potentiometer screw



Made in Germany



Capacitive Sensors S26 Series 80 - PNP

Type of construction G 1"

- For use in zone 22
- For use in areas where there is a risk of explosion
- Housing material: PTFE
- With flange connector M 12 x 1

With manufacturer certificate

Ex II 3D Ex mc IIIC T101°C Dc IP67 X

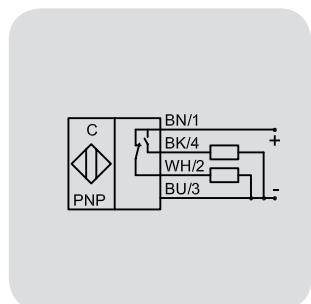
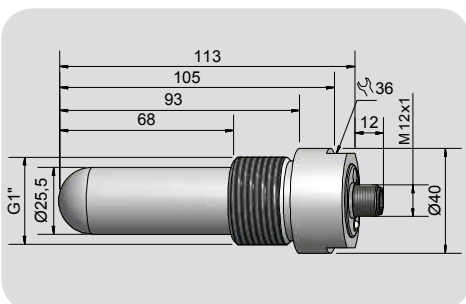


Technical data	Non-flush mountable
Level sensor, in contact with the product	Medium dependent adjustable
Operating distance min. / max. adjustable	0...20 mm
Electrical version	4-pin DC
Output function	Antivalent
Type PNP	KAS-80-26-A-K-G1*-PTFE-Y5-3D
Art.-No.	KA 0659
Operating voltage (U _B)	10...30 V DC
Voltage drop max. (U _d)	≤ 2.0 V
Permitted residual ripple max.	10 %
Operating current (I _B)	2 x 0...200 mA
No-load current (I _o)	Typ. 15 mA
Frequency of operating cycles max.	50 Hz
Permitted ambient temperature	-25...+70 °C / CIP 121 °C (zero-current)
LED-display	Green / yellow
Protective circuit	Built-in
Degree of protection IEC 60529	IP 67*
Norm	EN 60947-5-2
Connection	Flange connector M 12 x 1
Housing material	PTFE (FDA 21 CFR 177.1550)
Active surface	PTFE (FDA 21 CFR 177.1550)
Lid	PA
Media optimized	Yes
Accessories (not delivered with the sensor): For varivent adapter, triclamp adapter, welding socket and matching connectors please see our selection of accessories.	

Capacitive Sensors S26 with hemispherical active surface for level control of products with a dielectric constant ϵ_r as of 1,1. Products can be:

- Bulk material, like plastic granules, powder, cereals, etc.
- Liquids, like water, juice, wine, oil, chemicals or pharmaceutical solutions and much more.
- Pastes in the food processing industry, liquid glue, resins or glue, etc.

* With sealed potentiometer screw



Made in Germany

All specifications are subject to change without notice. (04/2017)

**CAPACITIVE SENSORS KAS S26
LevelMaster**

Pages

Capacitive sensors S26 body size G 1/2"	109 - 111
Capacitive sensors S26 body size G 1"	112 - 114
Capacitive sensors S26 body size G 3/8"	115

All specifications are subject to change without notice. (04/2017)

S26 - LEVELMASTER

Capacitive Sensors - LevelMaster

The capacitive sensors of the 700, 701 (NPN) and 800, 801 (PNP) type series are designed for the detection of liquids with a dielectric constant (DC) ϵ_r of $\geq 1,25$.

For these sensors it is the dielectric constant of the product that is our focus of attention. For this reason it is important for the measurement that the active surface of the sensor (PEEK tip) is in direct contact with the product that should be detected. The sensor tip must be totally immersed into the product.

The Sensors are equipped with our well-tried EasyTeach Function. Both variants are available:

- ET = EasyTeach by button
- ETW = EasyTeach by wire

With EasyTeach the sensitivity adjustment for the product to be detected is very easy and user-friendly.

Capacitive sensors can activate directly electronic circuits, PLCs, relays or contactors.

Application Example:

The capacitive sensors of the type series 700 and 800 reliably detect the level or existence of liquids or pastes, in containers, tube systems or pipelines.

- Level- or limit value measurement in container
- Product control in tube systems or pipelines
- Drain protection of pumps

A rich variety of products can be detected, for example:

- Vegetable oil, mineral oil
- Vinegar, alcohol, water, beer, syrup, fruit concentrate
- Ketchup, mayonnaise, mustard
- And a lot more.

Accessories

In our portfolio we have a range of FDA conforming adapters and process connections. They ensure the hygienic installation and provide the possibility of impeccable cleaning and sterilisation.



All specifications are subject to change without notice. (04/2017)



LevelMaster - Capacitive Sensors S26

Model G 1/2"

For level control of conductive and/or viscous liquids or pastes, for instance oil, water, ketchup or honey.

Ideal for level control in the Food Industry or Pharmaceutical Industry

- Housing material: Stainless steel (VA)
- Adjustment of the sensitivity with ETW- Function (EasyTeach by wire)
- With flange connector M 12 x 1
- Welding sockets and Varivent adapter available for EHEDG conform mounting.



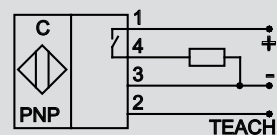
Technical data	Non-flush mountable
Sensitivity	Dielectric constant $\epsilon_r > 1.25$
Electrical version	3-pin DC
Output function	Normally open
Factory setting	Water
Typ PNP	KS-801-26/84-S-G1/2-PEEK/VAb-Y3-ETW-HP
Art. No.	KA 1437
Operating voltage (U_B)	12.5...35 V DC
Voltage drop max. (U_d)	≤ 2.0 V
Operating current (I_e)	0...250 mA
No-load current (I_o)	Typ. < 30 mA
Frequency of operating cycles max.	1 Hz
Permitted ambient temperature	-10...+70 °C / CIP 121 °C (zero-current)
Permitted product temperature	0...+100 °C
LED-display	Green / orange
Protective circuit	Built-in
Degree of protection IEC 60529	IP 67, IP 69K
Norm	EN 60947-5-2*
Connection	Connector M 12 x 1
Operating pressure	Max. 10 bar
Housing material	Stainless steel VA No. 1.4305 / AISI 303
Material active surface	PEEK (FDA 21 CFR 177.2415)
Material lid	-
Accessories (not supplied with the sensor): Varivent Adapter art.No. 196395, Welding Socket art.No. 196394 and matching connectors please see our selection of accessories.	

Capacitive Sensors S26 with hemispherical active surface for level control of products with a dielectric constant ϵ_r as of 1,25. Products can be:

- Liquids, like, juice, wine, chemicals or pharmaceutical solutions and much more.

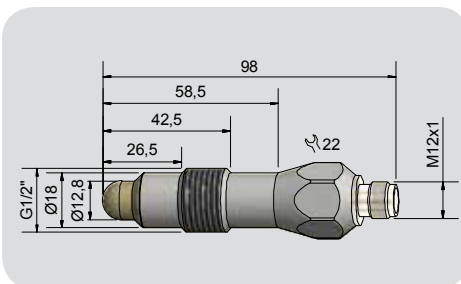
Advantages:

- EHEDG conform
- Measurement is independent of the mounting position
- Permitted pressure on the active area: 10 bar

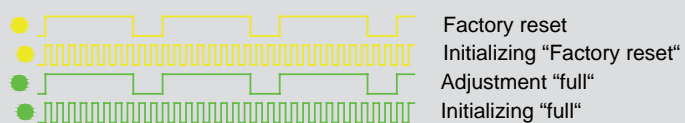


All specifications are subject to change without notice. (04/2017)

*Where applicable



EasyTeach chart: LED / Output function
Orange = A1 Green = A1



Made in Germany



LevelMaster - Capacitive Sensors S26

Model G 1/2"

For level control of conductive and/or viscous liquids or pastes, for instance oil, water, ketchup or honey.

Ideal for level control in the Food Industry or Pharmaceutical Industry

- Housing material: Stainless steel VA No. 1.4305 / AISI 303
- Antivalent output (NO + NC)
- Adjustment of the sensitivity with ETW- Function (EasyTeach by wire)
- With flange connector M 12 x 1



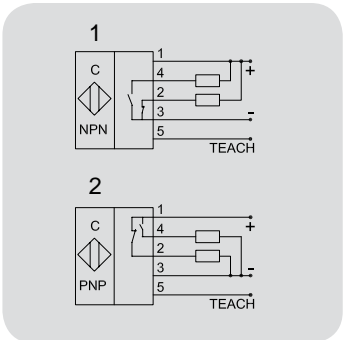
Technical data	Non-flush mountable
Sensitivity	Dielectric constant $\epsilon_r > 1.25$
Electrical version	4-pin DC
Output function	Antivalent
Type NPN	KS-700-26/113-A-G1/2-PEEK/VAb-Y10-ETW-HP
Art. No.	KA 1134
Connection diagram No.	1
Typ PNP	KS-800-26/113-A-G1/2-PEEK/VAb-Y10-ETW-HP
Art. No.	KA 1130
Connection diagram No.	2
Operating voltage (U_B)	12.5...35 V DC
Voltage drop max. (U_d)	≤ 2.0 V
Operating current (I_e)	0...250 mA
No-load current (I_o)	Typ. < 20 mA
Frequency of operating cycles max.	1 Hz
Permitted ambient temperature	-10...+70 °C / CIP 121 °C (zero-current)
Permitted product temperature	0...+100 °C
LED-display	Green / yellow
Protective circuit	Built-in
Degree of protection IEC 60529	IP 67, IP 69K
Norm	EN 60947-5-2*
Connection	Connector M 12 x 1
Operating pressure	Max. 10 bar
Housing material	Stainless steel VA No. 1.4305 / AISI 303
Material active surface	PEEK (FDA 21 CFR 177.2415)
Material lid	PA
Accessories (not supplied with the sensor): Welding Socket and matching connectors please see our selection of accessories.	

Capacitive Sensors S26 with hemispherical active surface for level control of products with a dielectric constant ϵ_r as of 1,25. Products can be:

- Liquids, like, juice, wine, chemicals or pharmaceutical solutions and much more.

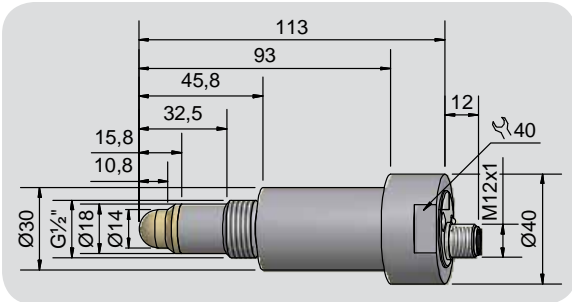
Advantages:

- Measurement is independent of the mounting position
- Permitted pressure on the active area: 10 bar

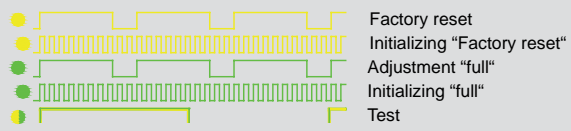


All specifications are subject to change without notice. (04/2017)

*Where applicable



EasyTeach chart: LED / Output function
Yellow = A1 Green = A2



Made in Germany

LevelMaster - Capacitive Sensors S26



Model G 1/2"

For level control of conductive and/or viscous liquids or pastes, for instance oil, water, ketchup or honey.

Ideal for level control in the Food Industry or Pharmaceutical Industry

- Housing material: Stainless steel VA No. 1.4305 / AISI 303
- Antivalent output (NO + NC)
- EasyTeach-Function
- With flange connector M 12 x 1



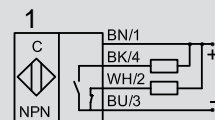
Technical data	Non-flush mountable
Sensitivity	Dielectric constant $\epsilon_r > 1.25$
Electrical version	4-pin DC
Output function	Antivalent
Type NPN	KS-700-26/113-A-G1-PEEK/Vab-Y5-ET-HP
Art. No.	KA 1129
Connection diagram No.	1
Typ PNP	KS-800-26/113-A-G1-PEEK/VAb-Y5-ET-HP
Art. No.	KA 1127
Connection diagram No.	2
Operating voltage (U_B)	12.5...35 V DC
Voltage drop max. (U_d)	≤ 2.0 V
Operating current (I_o)	0...250 mA
No-load current (I_o)	Typ. < 20 mA
Frequency of operating cycles max.	1 Hz
Permitted ambient temperature	-10...+70 °C / CIP 121 °C (zero-current)
Permitted product temperature	0...+100 °C
LED-display	Green / yellow
Protective circuit	Built-in
Degree of protection IEC 60529	IP 67, IP 69K
Norm	EN 60947-5-2*
Connection	Connector M 12 x 1
Operating pressure	Max. 10 bar
Housing material	Stainless steel VA No. 1.4305 / AISI 303
Material active surface	PEEK (FDA 21 CFR 177.2415)
Material lid	PA
Accessories (not supplied with the sensor): Varivent Adapter, Welding Socket and matching connectors please see our selection of accessories.	

Capacitive Sensors S26 with hemispherical active surface for level control of products with a dielectric constant ϵ_r as of 1,25. Products can be:

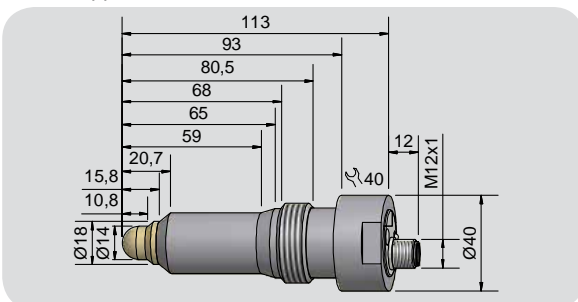
- Liquids, like, juice, wine, chemicals or pharmaceutical solutions and much more.

Advantages:

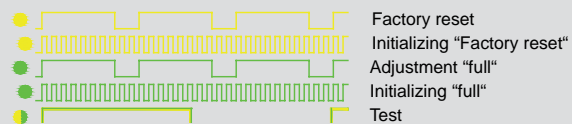
- Measurement is independent of the mounting position
- Permitted pressure on the active area: 10 bar



*Where applicable



EasyTeach chart: LED / Output function
Yellow = A1 Green = A2



Made in Germany

All specifications are subject to change without notice. (04/2017)



LevelMaster - Capacitive Sensors S26

Model G 1"

For level control of conductive and/or viscous liquids or pastes, for instance oil, water, ketchup or honey.

Ideal for level control in the Food Industry or Pharmaceutical Industry

- Housing material: Stainless steel VA No. 1.4305 / AISI 303
- Antivalent output (NO + NC)
- Adjustment of the sensitivity with ETW- Function (EasyTeach by wire)
- With flange connector M 12 x 1



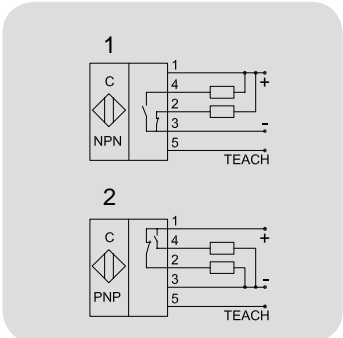
Technical data	Non-flush mountable
Sensitivity	Dielectric constant $\epsilon_r > 1.25$
Electrical version	4-pin DC
Output function	Antivalent
Type NPN	KS-700-26/113-A-G1-PEEK/Vab-Y10-ETW-HP
Art. No.	KA 1131
Connection diagram No.	1
Type PNP	KS-800-26/113-A-G1-PEEK/Vab-Y10-ETW-HP
Art. No.	KA 1135
Connection diagram No.	2
Operating voltage (U_b)	12.5...35 V DC
Voltage drop max. (U_a)	≤ 2.0 V
Operating current (I_e)	0...250 mA
No-load current (I_o)	Typ. < 20 mA
Frequency of operating cycles max.	1 Hz
Permitted ambient temperature	-10...+70 °C / CIP 121 °C (zero-current)
Permitted product temperature	0...+100 °C
LED-display	Green / yellow
Protective circuit	Built-in
Degree of protection IEC 60529	IP 67, IP 69K
Norm	EN 60947-5-2*
Connection	Connector M 12 x 1
Operating pressure	Max. 10 bar
Housing material	Stainless steel VA No. 1.4305 / AISI 303
Material active surface	PEEK (FDA 21 CFR 177.2415)
Material lid	PA
Accessories (not supplied with the sensor): Varivent Adapter, Welding Socket and matching connectors please see our selection of accessories.	

Capacitive Sensors S26 with hemispherical active surface for level control of products with a dielectric constant ϵ_r as of 1,25. Products can be:

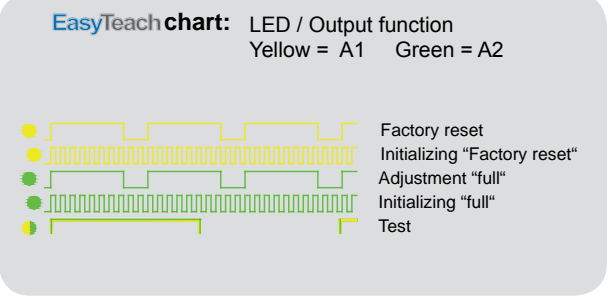
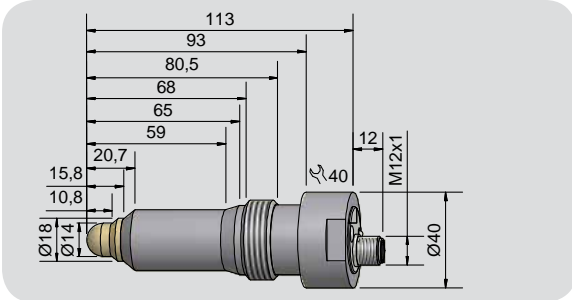
- Liquids, like, juice, wine, chemicals or pharmaceutical solutions and much more.

Advantages:

- Measurement is independent of the mounting position
- Permitted pressure on the active area: 10 bar



All specifications are subject to change without notice. (04/2017)



Made in Germany

LevelMaster - Capacitive Sensors S26



Model G 1"
For level control of conductive and/or viscous liquids or pastes, for instance oil, water, ketchup or honey.
Ideal for level control in the Food Industry or Pharmaceutical Industry

- Housing material: Stainless steel VA No. 1.4305 / AISI 303
- 2 x Normally open output for independent switching points
- Adjustment of the sensitivity with ETW- Function (EasyTeach by wire)
- With flange connector M 12 x 1



Technical data	Non-flush mountable
Sensitivity	Dielectric constant $\epsilon_r > 1.25$
Electrical version	4-pin DC
Output function	2 x Normally open
Typ PNP	KS-800-26/113-S-G1-PEEK/VAb-Y10-ETW-E-HP
Art. No.	KA 1243
Operating voltage (U_B)	12.5...35 V DC
Voltage drop max. (U_d)	≤ 2.0 V
Operating current (I_o)	0...250 mA
No-load current (I_o)	Typ. < 20 mA
Frequency of operating cycles max.	1 Hz
Permitted ambient temperature	-10...+70 °C / CIP 121 °C (zero-current)
Permitted product temperature	0...+100 °C
LED-display	Green / yellow
Protective circuit	Built-in
Degree of protection IEC 60529	IP 67, IP 69K
Norm	EN 60947-5-2*
Connection	Connector M 12 x 1
Operating pressure	Max. 10 bar
Housing material	Stainless steel VA No. 1.4305 / AISI 303
Material active surface	PEEK (FDA 21 CFR 177.2415)
Material lid	PA

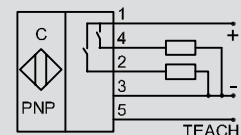
Accessories (not supplied with the sensor): Varivent Adapter, Welding Socket and matching connectors please see our selection of accessories.

Capacitive Sensors S26 with hemispherical active surface for level control of products with a dielectric constant ϵ_r as of 1,25. Products can be:

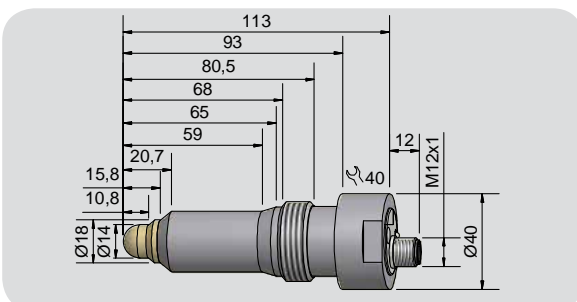
- Liquids, like, juice, wine, chemicals or pharmaceutical solutions and much more.

Advantages:

- Measurement is independent of the mounting position
- Permitted pressure on the active area: 10 bar

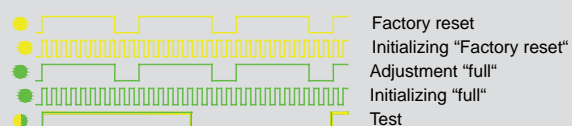


*Where applicable



EasyTeach chart:

LED / Output function
Yellow = A1 Green = A2



Made in Germany

All specifications are subject to change without notice. (04/2017)



LevelMaster - Capacitive Sensors S26

Model G 3/8"

For level control of conductive and/or viscous liquids or pastes, for instance oil, water, ketchup or honey.

Ideal for level control in the Food Industry or Pharmaceutical Industry

- Housing material: Stainless steel VA No. 1.4305 / AISI 303
- Antivalent output (NO + NC)
- EasyTeach-Function
- With flange connector M 12 x 1



Technical data	Non-flush mountable
Sensitivity	Dielectric constant $\epsilon_r > 1.25$
Electrical version	4-pin DC
Output function	Antivalent
Typ PNP	KS-800-26/113-A-G3/8-PEEK/VAb-Y5-ET-HP
Art. No.	KA 1265
Operating voltage (U_B)	12.5...35 V DC
Voltage drop max. (U_d)	≤ 2.0 V
Operating current (I_o)	0...250 mA
No-load current (I_o)	Typ. < 20 mA
Frequency of operating cycles max.	1 Hz
Permitted ambient temperature	-10...+70 °C / CIP 121 °C (zero-current)
Permitted product temperature	0...+100 °C
LED-display	Green / yellow
Protective circuit	Built-in
Degree of protection IEC 60529	IP 67, IP 69K
Norm	EN 60947-5-2*
Connection	Connector M 12 x 1
Operating pressure	Max. 10 bar
Housing material	Stainless steel VA No. 1.4305 / AISI 303
Material active surface	PEEK (FDA 21 CFR 177.2415)
Material lid	PA

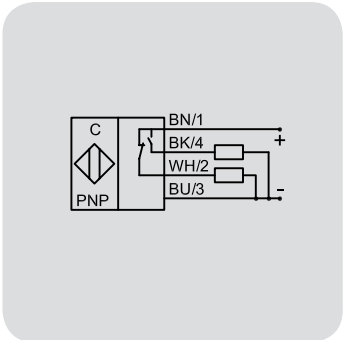
Accessories (not supplied with the sensor): For matching connectors please see our selection of accessories.

Capacitive Sensors S26 with hemispherical active surface for level control of products with a dielectric constant ϵ_r as of 1,25. Products can be:

- Liquids, like, juice, wine, chemicals or pharmaceutical solutions and much more.

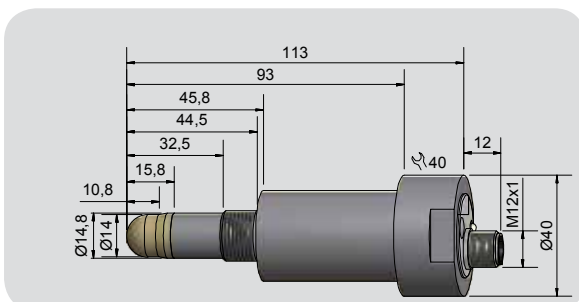
Advantages:

- Measurement is independent of the mounting position
- Permitted pressure on the active area: 10 bar

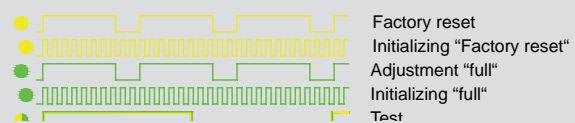


All specifications are subject to change without notice. (04/2017)

*Where applicable



EasyTeach chart: LED / Output function
Yellow = A1 Green = A2



Made in Germany

TYPE SELECTION IN ARTICLE NUMBER ORDER

Art. No.	Description	Page
813100	KAS-80-26/113-A-G1-PTFE-Z02-1-HP	31
KA0264	KAS-80-26-A-K-G1"-PTFE-StEx	89
KA0266	KAS-80-26/113-A-G1-PTFE-Z10-1-HP	32
KA0277	KAS-80-26/113-A-G1-PTFE-100C-Z02-1-HP	41
KA0409	KAS-90-26/113-S-G1-PTFE-Z02-1	66
KA0415	KAS-80-26/113-A-TRI-PTFE-100C-Z02-1-HP	55
KA0421	KAS-80-26-A-K-Tri-PTFE-StEx	102
KA0423	KAS-80-26/200-A-G1-PTFE-Z05-1-HP	47
KA0431	KAS-80-26/113-A-M22-PTFE-Z03-1-E-HP	26
KA0444	KAS-80-26-A-K-G1"-200-PTFE-StEx	94
KA0450	KAS-80-26/113-A-D22-PTFE-100C-Y5-1-HP	24
KA0549	KAS-80-26/113-A-PFS1-PTFE-Y5-1-HP	62
KA0566	KAS-80-26/113-A-PFS2-PTFE-Z02-1-HP	60
KA0620	KAS-80-26/113-A-PFS1-PTFE-Z05-1-HP	61
KA0626	KAS-80-26/113-A-F30-PTFE-100C-Y5-1-HP	27
KA0636	KAS-80-26/F30-A-K-PTFE-StEx	83
KA0639	KAS-90-26/113-S-G1-PTFE-Y1-1	68
KA0642	KAS-80-26/113-A-G1-PTFE-Y5-1-HP	37
KA0653	KAS-80-26/200-A-G1-PTFE-Z02-1-HP	46
KA0655	KAS-80-26-A-K-G1"-PTFE-Y5-StEx	92
KA0656	KAS-80-26/113-A-TRI-PTFE-100C-Y5-1-E-HP	58
KA0659	KAS-80-26-A-K-G1"-PTFE-Y5-3D	106
KA0662	KAS-80-26/113-A-TRI-PTFE-100C-Y5-1-HP	56
KA0682	KAS-80-26/300-A-G1-PTFE-Y5-1-HP	52
KA0683	KAS-90-26/113-Ö-TRI-PTFE-Z02-1	69
KA0684	KAS-90-26/113-S-TRI-PTFE-Z02-1	69
KA0685	KAS-90-26/113-Ö-G1-PTFE-Z02-1	66
KA0686	KAS-80-26/200-A-G1-PTFE-Y5-1-HP	50
KA0687	KAS-80-26/200-A-G1-PTFE-100C-Y5-1-HP	51
KA0688	KAS-80-26/113-A-G1-PTFE-100C-Y5-1-HP	42
KA0689	KAS-80-26/113-A-M30-PTFE-Y5-1-HP	29
KA0694	KAS-80-26/113-A-D22-PTFE-100C-Y5-1-HP	25
KA0740	KAS-40-26-N-K-G1"-PTFE	72
KA0764	KAS-80-26/113-A-G1-PEEK-Y5-1-E-HP	63
KA0767	KAS-80-26-A-K-G1"-PEEK-Y5-StEx	104
KA0795	KAS-80-26-A-K-G1"-300-PTFE-StEx	100
KA0821	KAS-80-26/113-A-G1-PTFE-120C-Z02-1-NL	44
KA0824	KAS-70-26-A-K-G1"-PTFE-StEx	89
KA0829	KAS-80-26-A-K-Tri-PTFE-Y5-StEx	103
KA0837	KAS-80-26-A-K-G1"-PTFE-StEx, 5 m	90
KA0843	KAS-80-26/200-A-G1-PTFE-Z10-1-HP	48
KA0844	KAS-70-26/113-A-G1-PTFE-Y5-1-HP	37
KA0861	KAS-80-26-A-G1"-230-PEEK/VA-Y5-StEx	97
KA0872	KAS-80-26/113-A-G1-PP-Z02-1-NL	40
KA0933	KAS-40-26-N-K-G1"-PTFE-StEx	76
KA0939	KAS-80-26/113-A-F30-PTFE-100C-Y10-ETW-HP	28
KA0971	KAS-90-26/113-S-M30-PP-Z02-1-NL	65
KA0981	KAS-80-26-A-K-G1"-200-PTFE-Y5-StEx	96
KA0984	KAS-80-26/113-A-G1-PTFE-Z02-ETW-HP	36
KA0991	KAS-90-26/113-S-G1-PTFE-Z05-1	67
KA0996	KAS-80-26/113-A-G1-PTFE-Z02-ET-E-HP	35
KA0998	KAS-80-26-A-K-M32-PTFE-StEx	88
KA1013	KAS-90-26/113-Ö-G1-PTFE-Y1-1	68
KA1025	KAS-70-26/113-A-TRI-PTFE-100C-Z02-1-HP	55
KA1037	KAS-80-26/113-A-M30-PTFE-Z03-ETW-HP	30
KA1038	KAS-80-26/113-A-PFM30-PTFE-Z03-ETW-HP	59
KA1078	KAS-70-26/113-A-G1-PTFE-Z02-1-HP	31
KA1084	KAS-80-26/113-A-G1-PTFE-Z02-ET-HP	34
KA1091	KAS-80-26/113-A-G3/4-PTFE-Z02-1-HP	64
KA1097	KAS-80-26/113-A-G1-PTFE-Y10-ETW-HP	38
KA1126	KS-800-26/113-A-G1/2-PEEK/VAb-Y5-ET-HP	110
KA1127	KS-800-26/113-A-G1-PEEK/VAb-Y5-ET-HP	112
KA1128	KS-700-26/113-A-G1/2-PEEK/VAb-Y5-ET-HP	110
KA1129	KS-700-26/113-A-G1-PEEK/VAb-Y5-ET-HP	112
KA1130	KS-800-26/113-A-G1/2-PEEK/VAb-Y10-ETW-HP	111
KA1131	KS-700-26/113-A-G1-PEEK/VAb-Y10-ETW-HP	113
KA1134	KS-700-26/113-A-G1/2-PEEK/VAb-Y10-ETW-HP	111

Art. No.	Description	Page
KA1135	KS-800-26/113-A-G1-PEEK/VAb-Y10-ETW-HP	113
KA1164	KAS-80-26-A-K-G1"-PTFE-StEx, 10 m	91
KA1180	KAS-80-26-A-K-G1"-240-PTFE-StEx	98
KA1183	KAS-70-26-A-K-Tri-PTFE-StEx	102
KA1190	KAS-40-26-N-K-G1"-PTFE-StEx, 5 m	77
KA1214	KAS-80-26/113-A-TRI-PTFE-100C-Y5-ET-HP	57
KA1216	KAS-40-26-N-K-G1"-200-PTFE-Y5-StEx	79
KA1228	KAS-80-26-A-K-G1"-300-PTFE-Y5-StEx	101
KA1230	KAS-40-26-N-K-G1"-PTFE-100°C	73
KA1231	KAS-40-26-N-K-G1"-200-PTFE-Y5-StEx	78
KA1236	KAS-80-26/113-Ö-G1-PTFE-100C-Y5-1-HP	43
KA1243	KS-800-26/113-S-G1-PEEK/VAb-Y10-ETW-E-HP	114
KA1244	KAS-80-26-A-K-G1/2-PEEK	22
KA1245	KAS-70-26-A-K-G1/2-PEEK	22
KA1253	KAS-80-26-A-K-G1"-200-PTFE-StEx, 5 m	95
KA1255	KAS-80-26/200-A-G1-PTFE-Z02-ET-HP	49
KA1262	KAS-80-26-A-K-M30-PTFE-StEx	84
KA1265	KS-800-26/113-A-G3/8-PEEK/VAb-Y5-ET-HP	115
KA1279	KAS-80-26-A-K-G1"-240-PTFE-Y5-StEx	99
KA1280	KAS-80-26-A-K-M30-200-PTFE-Y5-StEx	87
KA1281	KAS-80-26-A-K-M30-PTFE-Y5-StEx	86
KA1282	KAS-80-26-A-K-G1/2-PEEK-ETW	23
KA1287	KAS-70-26/200-A-G1-PTFE-Z02-1-HP	46
KA1294	KAS-80-26/416-A-G1-PP/VAc-Z02-ETW-HP	53
KA1365	KAS-80-26-A-K-M30-PTFE-StEx	85
KA1366	KAS-80-26-A-K-22-PTFE-Y5-3D	105
KA1375	KAS-80-26/416-A-G1-PP/VAc-Y10-ETW-HP	54
KA1389	KAS-40-26-N-K-M30-PTFE-StEx	75
KA1392	KAS-80-26/113-A-G1-PEEK-Y10-ETW-HP	39
KA1395	KAS-80-26-A-K-G1"-PEEK-StEx	93
KA1403	KAS-80-26/113-A-G1-PTFE-Z02-BS-HP	33
KA1409	KAS-80-26-A-K-160-G1/2"-PEEK-StEx	81
KA1410	KAS-40-26-N-K-PFM22-PTFE-StEx	74
KA1413	KAS-80-26-A-K-22-PTFE-Y5-StEx	82
KA1426	KAS-80-26-A-K-G1/2"-PEEK-StEx	80
KA1437	KKS-801-26/98-S-G1/2-PEEK/VAb-Y3-ETW-HP	109
KA1441	KAS-80-26/150-A-G1-PTFE-180C-Z02-1-HP	45

TYPE SELECTION IN DESCRIPTION ORDER

Art. No.	Description	Page
KA1216	KAS-40-26-N-K-G1"-200-PTFE-Y5-StEx	79
KA1231	KAS-40-26-N-K-G1"-200-PTFE-Y5-StEx	78
KA0740	KAS-40-26-N-K-G1"-PTFE	72
KA1230	KAS-40-26-N-K-G1"-PTFE-100°C	73
KA0933	KAS-40-26-N-K-G1"-PTFE-StEx	76
KA1190	KAS-40-26-N-K-G1"-PTFE-StEx, 5 m	77
KA1389	KAS-40-26-N-K-M30-PTFE-StEx	75
KA1410	KAS-40-26-N-K-PFM22-PTFE-StEx	74
KA0844	KAS-70-26/113-A-G1-PTFE-Y5-1-HP	37
KA1078	KAS-70-26/113-A-G1-PTFE-Z02-1-HP	31
KA1025	KAS-70-26/113-A-TRI-PTFE-100C-Z02-1-HP	55
KA1287	KAS-70-26/200-A-G1-PTFE-Z02-1-HP	46
KA1245	KAS-70-26-A-K-G1/2-PEEK	22
KA0824	KAS-70-26-A-K-G1"-PTFE-StEx	89
KA1183	KAS-70-26-A-K-Tri-PTFE-StEx	102
KA0450	KAS-80-26/113-A-D22-PTFE-100C-Y5-1-HP	24
KA0694	KAS-80-26/113-A-D22-PTFE-100C-Y5-1-HP	25
KA0939	KAS-80-26/113-A-F30-PTFE-100C-Y10-ETW-HP	28
KA0626	KAS-80-26/113-A-F30-PTFE-100C-Y5-1-HP	27
KA1392	KAS-80-26/113-A-G1-PEEK-Y10-ETW-HP	39
KA0764	KAS-80-26/113-A-G1-PEEK-Y5-1-E-HP	63
KA0872	KAS-80-26/113-A-G1-PP-Z02-1-NL	40
KA0688	KAS-80-26/113-A-G1-PTFE-100C-Y5-1-HP	42
KA0277	KAS-80-26/113-A-G1-PTFE-100C-Z02-1-HP	41
KA0821	KAS-80-26/113-A-G1-PTFE-120C-Z02-1-NL	44
KA1097	KAS-80-26/113-A-G1-PTFE-Y10-ETW-HP	38
KA0642	KAS-80-26/113-A-G1-PTFE-Y5-1-HP	37
813100	KAS-80-26/113-A-G1-PTFE-Z02-1-HP	31
KA1403	KAS-80-26/113-A-G1-PTFE-Z02-BS-HP	33
KA0996	KAS-80-26/113-A-G1-PTFE-Z02-ET-E-HP	35
KA1084	KAS-80-26/113-A-G1-PTFE-Z02-ET-HP	34
KA0984	KAS-80-26/113-A-G1-PTFE-Z02-ETW-HP	36
KA0266	KAS-80-26/113-A-G1-PTFE-Z10-1-HP	32
KA1091	KAS-80-26/113-A-G3/4-PTFE-Z02-1-HP	64
KA0431	KAS-80-26/113-A-M22-PTFE-Z03-1-E-HP	26
KA0689	KAS-80-26/113-A-M30-PTFE-Y5-1-HP	29
KA1037	KAS-80-26/113-A-M30-PTFE-Z03-ETW-HP	30
KA1038	KAS-80-26/113-A-PFM30-PTFE-Z03-ETW-HP	59
KA0549	KAS-80-26/113-A-PFS1-PTFE-Y5-1-HP	62
KA0620	KAS-80-26/113-A-PFS1-PTFE-Z05-1-HP	61
KA0566	KAS-80-26/113-A-PFS2-PTFE-Z02-1-HP	60
KA0656	KAS-80-26/113-A-TRI-PTFE-100C-Y5-1-E-HP	58
KA0662	KAS-80-26/113-A-TRI-PTFE-100C-Y5-1-HP	56
KA1214	KAS-80-26/113-A-TRI-PTFE-100C-Y5-ET-HP	57
KA0415	KAS-80-26/113-A-TRI-PTFE-100C-Z02-1-HP	55
KA1236	KAS-80-26/113-Ö-G1-PTFE-100C-Y5-1-HP	43
KA1441	KAS-80-26/150-A-G1-PTFE-180C-Z02-1-HP	45
KA0687	KAS-80-26/200-A-G1-PTFE-100C-Y5-1-HP	51
KA0686	KAS-80-26/200-A-G1-PTFE-Y5-1-HP	50
KA0653	KAS-80-26/200-A-G1-PTFE-Z02-1-HP	46
KA1255	KAS-80-26/200-A-G1-PTFE-Z02-ET-HP	49
KA0423	KAS-80-26/200-A-G1-PTFE-Z05-1-HP	47
KA0843	KAS-80-26/200-A-G1-PTFE-Z10-1-HP	48
KA0682	KAS-80-26/300-A-G1-PTFE-Y5-1-HP	52
KA1375	KAS-80-26/416-A-G1-PP/VAc-Y10-ETW-HP	54
KA1294	KAS-80-26/416-A-G1-PP/VAc-Z02-ETW-HP	53
KA0636	KAS-80-26/F30-A-K-PTFE-StEx	83
KA0861	KAS-80-26-A-G1"-230-PEEK/VA-Y5-StEx	97
KA1409	KAS-80-26-A-K-160-G1/2"-PEEK-StEx	81
KA1366	KAS-80-26-A-K-22-PTFE-Y5-3D	105
KA1413	KAS-80-26-A-K-22-PTFE-Y5-StEx	82
KA1426	KAS-80-26-A-K-G1/2"-PEEK-StEx	80
KA1244	KAS-80-26-A-K-G1/2-PEEK	22
KA1282	KAS-80-26-A-K-G1/2-PEEK-ETW	23
KA0444	KAS-80-26-A-K-G1"-200-PTFE-StEx	94
KA1253	KAS-80-26-A-K-G1"-200-PTFE-StEx, 5 m	95
KA0981	KAS-80-26-A-K-G1"-200-PTFE-Y5-StEx	96

Art. No.	Description	Page
KA1180	KAS-80-26-A-K-G1"-240-PTFE-StEx	98
KA1279	KAS-80-26-A-K-G1"-240-PTFE-Y5-StEx	99
KA0795	KAS-80-26-A-K-G1"-300-PTFE-StEx	100
KA1228	KAS-80-26-A-K-G1"-300-PTFE-Y5-StEx	101
KA1395	KAS-80-26-A-K-G1"-PEEK-StEx	93
KA0767	KAS-80-26-A-K-G1"-PEEK-Y5-StEx	104
KA0264	KAS-80-26-A-K-G1"-PTFE-StEx	89
KA1164	KAS-80-26-A-K-G1"-PTFE-StEx, 10 m	91
KA0837	KAS-80-26-A-K-G1"-PTFE-StEx, 5 m	90
KA0659	KAS-80-26-A-K-G1"-PTFE-Y5-3D	106
KA0655	KAS-80-26-A-K-G1"-PTFE-Y5-StEx	92
KA1280	KAS-80-26-A-K-M30-200-PTFE-Y5-StEx	87
KA1262	KAS-80-26-A-K-M30-PTFE-StEx	84
KA1365	KAS-80-26-A-K-M30-PTFE-StEx	85
KA1281	KAS-80-26-A-K-M30-PTFE-Y5-StEx	86
KA0998	KAS-80-26-A-K-M32-PTFE-StEx	88
KA0421	KAS-80-26-A-K-Tri-PTFE-StEx	102
KA0829	KAS-80-26-A-K-Tri-PTFE-Y5-StEx	103
KA1013	KAS-90-26/113-Ö-G1-PTFE-Y1-1	68
KA0685	KAS-90-26/113-Ö-G1-PTFE-Z02-1	66
KA0683	KAS-90-26/113-Ö-TRI-PTFE-Z02-1	69
KA0639	KAS-90-26/113-S-G1-PTFE-Y1-1	68
KA0409	KAS-90-26/113-S-G1-PTFE-Z02-1	66
KA0991	KAS-90-26/113-S-G1-PTFE-Z05-1	67
KA0971	KAS-90-26/113-S-M30-PP-Z02-1-NL	65
KA0684	KAS-90-26/113-S-TRI-PTFE-Z02-1	69
KA1437	KKS-801-26/98-S-G1/2-PEEK/VAb-Y3-ETW-HP	109
KA1134	KS-700-26/113-A-G1/2-PEEK/VAb-Y10-ETW-HP	111
KA1128	KS-700-26/113-A-G1/2-PEEK/VAb-Y5-ET-HP	110
KA1131	KS-700-26/113-A-G1-PEEK/VAb-Y10-ETW-HP	113
KA1129	KS-700-26/113-A-G1-PEEK/VAb-Y5-ET-HP	112
KA1130	KS-800-26/113-A-G1/2-PEEK/VAb-Y10-ETW-HP	111
KA1126	KS-800-26/113-A-G1/2-PEEK/VAb-Y5-ET-HP	110
KA1135	KS-800-26/113-A-G1-PEEK/VAb-Y10-ETW-HP	113
KA1127	KS-800-26/113-A-G1-PEEK/VAb-Y5-ET-HP	112
KA1265	KS-800-26/113-A-G3/8-PEEK/VAb-Y5-ET-HP	115
KA1243	KS-800-26/113-S-G1-PEEK/VAb-Y10-ETW-E-HP	114

Customer proximity guaranteed!

Rechner Sensors has daughter and sister companies in China, Great Britain, Italy, Canada, South Korea and in the U.S..

Furthermore we have representative offices in over 50 countries. For the addresses of our sales partners please visit our website. You will find the addresses under the category contact.

CANADA

Rechner Automation Inc
348 Bronte St. South - Unit 11
Milton, ON L9T 5B6

Tel. 905 636 0866
Fax. 905 636 0867
contact@rechner.com
www.rechner.com

GREAT BRITAIN

Rechner (UK) Limited
Unit 6, The Old Mill
61 Reading Road
Pangbourne, Berks, RG8 7HY

Tel. +44 118 976 6450
Fax. +44 118 976 6451
info@rechner-sensors.co.uk
www.rechner-sensors.co.uk

ITALY

Rechner Italia SRL
Via Isarco 3
39100 Bolzano (BZ)
Office:
Via Guelfa 5
40138 Bologna
Tel. +39 051 0015498
Fax. +39 051 0015497
info@rechneritalia.it
www.rechneritalia.it

PEOPLE'S REPUBLIC OF CHINA

RECHNER SENSORS SIP CO.LTD.
Building H,
No. 58, Yang Dong Road
Suzhou Industrial Park
Jiangsu Province

Tel. +8651267242858
Fax. +8651267242868
assist@rechner-sensor.cn
www.rechner-sensor.cn

REPUBLIC OF KOREA (SOUTH)

Rechner-Korea Co. Ltd.
A-1408 Ho,
Keumgang Penterium IT Tower,
Hakeuro 282, Dongan-gu
Anyang City, Gyunggi-do, Seoul

Tel. +82 31 422 8331
Fax. +82 31 423 83371
sensor@rechner.co.kr
www.rechner.co.kr

UNITED STATES OF AMERICA

Rechner Electronics Ind. Inc.
6311 Inducon Corporate Drive,
Suite 5
Sanborn, NY. 14132

Tel. 800 544 4106
Fax. 905 636 0867
contact@rechner.com
www.rechner.com



RECHNER

INDUSTRIE-ELEKTRONIK GMBH

Gaußstraße 8-10 • 68623 Lampertheim • Germany

T: +49 6206 5007-0 • F:+49 6206 5007-36 • F Intl. +49 6206 5007-20

www.rechner-sensors.com • E-mail: info@rechner-sensors.de