



Fingertip Joystick JFT

The compact design of the Fingertip joystick JFT makes it ideal for use in control panels and armrests. The areas of application range from industrial trucks, agricultural and construction machinery to countless industry applications.

Technical specifications

- Simple “on top” installation in control panels
- Parallel arrangement is possible in the smallest of installation spaces
- Angled actuator with soft-touch finger rest for ergonomic operation
- Colour-coded actuator cap and customised symbol imprint
- High reliability and long service life thanks to contactless, shielded Hall-effect technology

Technical drawing

IMAGE 1/2

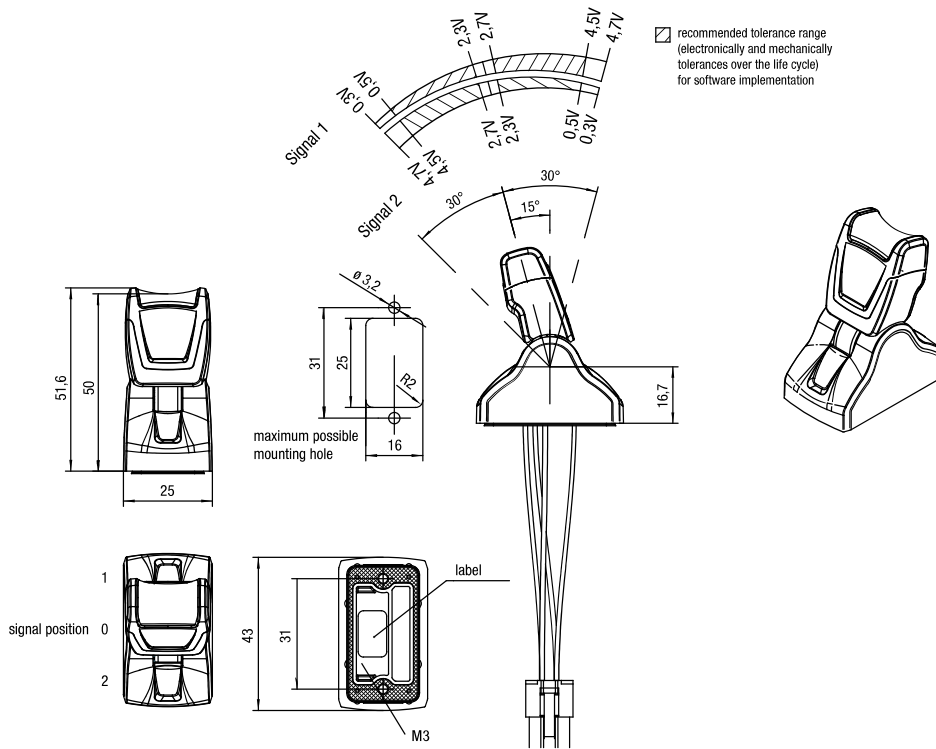
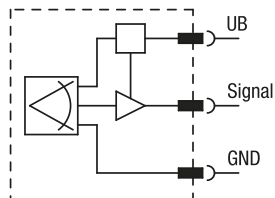


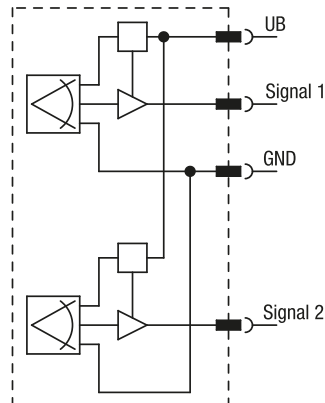
IMAGE 2/2

Standard

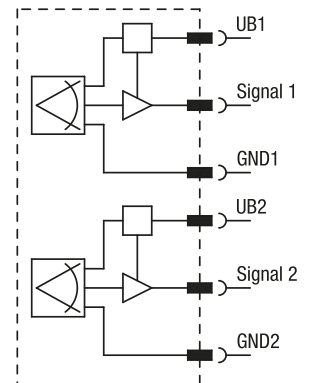
Analogue



Analogue semi-redundant



Analogue redundant



Attribute	JFT...
Protection class, mechanical	IP54 DIN EN 60529

Electrical data

Attribute	JFT...
Polarity reversal protection	yes
Output signal min.	0.5 V DC
Output signal max.	4.5 V DC
Output signal	analogue
Output signal - centre position/zero position	2.5 V DC
EMC immunity (Norm)	DIN EN 12895, DIN EN 13309, DIN EN ISO 14982, ISO 13766
EMC emission (Norm)	DIN EN 12895, DIN EN 13309, DIN EN ISO 14982, ISO 13766
Operating voltage min.	4.5 V DC
Operating voltage max.	5.5 V DC
Current consumption	max. 15 mA
Load resistance min.	20000 Ohm
Short-circuit resistance to GND	yes
Short-circuit resistance to supply	yes
Technology	Hall

Mechanical data

Attribute	JFT...
Max. lever load with specified lever length	35 mm/200 N
Deflection	$\pm 30^\circ$
Actuation type	single axis
Service life, mechanical (Cycles)	hard detent 4 mio. / without detent 5 mio.

Material information

Attribute	JFT...
Housing material	PBT + ASA / PA12
Shaft material	GRIVORY GVX-5H

Environmental conditions

Attribute	JFT...
Protection class, electronic	IP69K DIN EN 60529
Operating temperature min.	-40 °C
Max. operating temperature	85 °C
Min. storage temperature	-40 °C
Max. storage temperature	105 °C

Installation

Attribute	JFT...
Installation	from above
Mounting type	screwed from below

Connection

Attribute	JFT...
Connector type	Mini-Fit Jr.
Cable type	Lify-t
Cable length	0.3 m