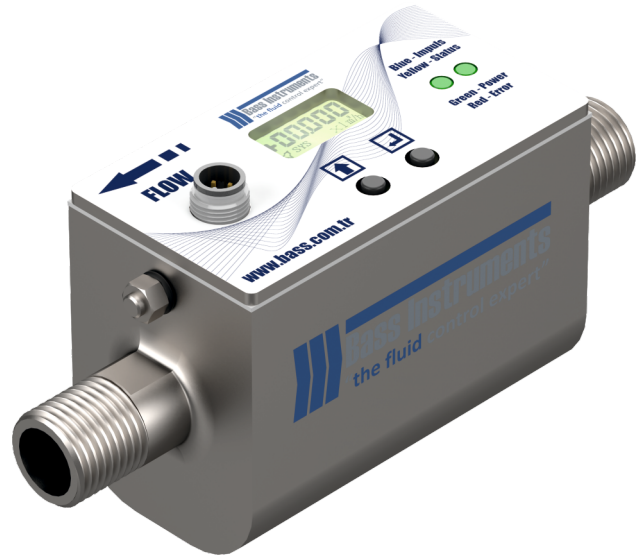


Miniature Magnetic Flowmeter

DOMA



LIQUID



OVERVIEW

Operation

The Bass Instruments DOMA series compact induction flow meter is designed for exact measurement of various fluids during the batching process, namely their lower amounts with a very high accuracy and repeatability of 0.1%. Possible applications are such as filling bottles, cups and pots with dairy products or with other products intended for sale.

Features

- Simple installation
- High accuracy
- No pressure loss
- Wide turndown ratio
- Robust design
- High response time and repeatability

Application

- Chemical industry
- Mechanical engineering
- Agriculture
- Mineral processing
- Water treatment

OPERATING DATA

Working Pressure	100 bar max.
Temperature Limit	-40°C...90°C
Accuracy	±0,5%/ ±0.1% on request
Repeatability	±0,1%
Min. Conductivity	20 µS/cm
Enclosure	IP65/ IP67and IP68 as optional

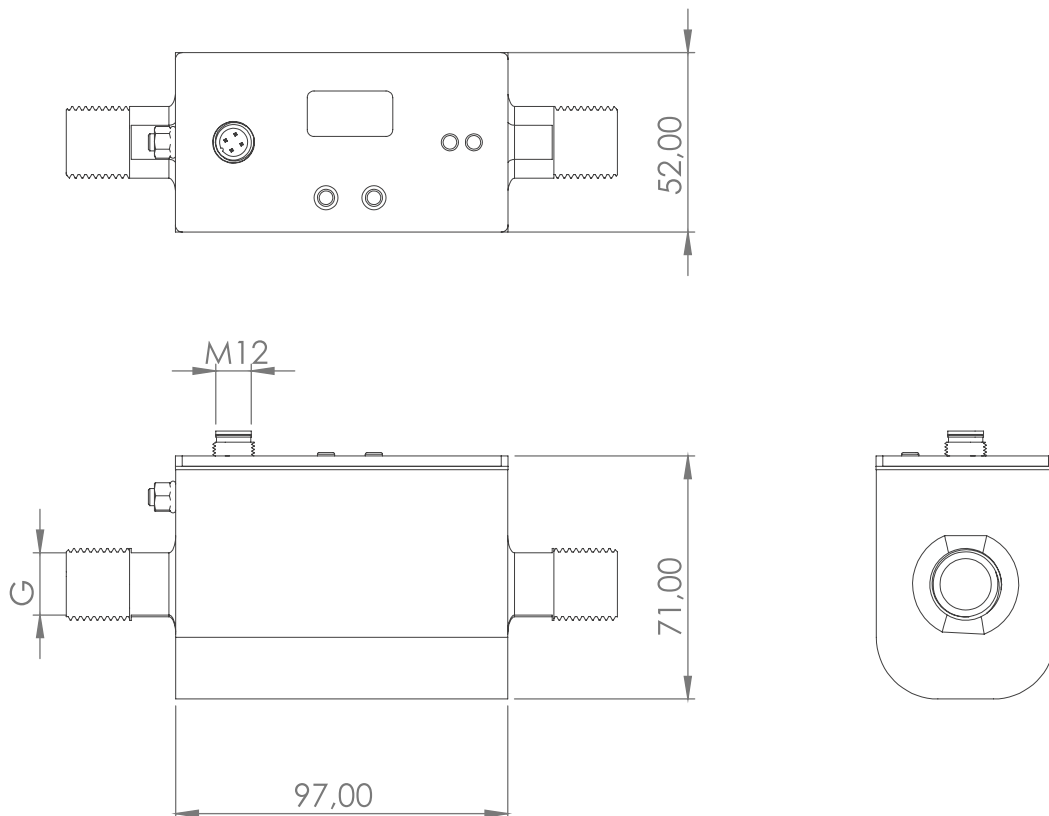
MEASURING RANGES

Measuring (Qmin/Qmax)	Unidirectional/bidirectional for 0.2...12 m/s (1/60)
------------------------------	---

MATERIALS

Wetted Parts	Stainless steel
Electrode	CrNi steel DIN 1.4571, hastelloy C4, Titanium, tantalum

TECHNICAL DRAWINGS AND DIMENSIONS



■ FLOW RANGES

Code	Diameter Nominal (mm)	Qmin (m ³ /h)		Qmax (m ³ /h)	
		1/60 (0,2 m/s)		12 m/s	
004	DN4	0,01		0,5	
006	DN6	0,02		1,2	
008	DN8	0,04		2,2	
010	DN10	0,06		3,4	
015	DN15	0,13		7,6	
020	DN20	0,24		14,2	
025	DN25	0,35		21	

■ ELECTRICAL DATA

Analog Output	4 -20 mA
Power Supply	24 VDC
Communication	Bluetooth

ORDERING

DOMA				Miniature Magnetic Flowmeter
Diameter Nominal	XXX			Please look at the Flow range tables
Connection		W		Wafer
		T		Threaded
		C		Clamp
Electrodes		SS		Stainless steel
		C4		Hastelloy C4
		TI		Titanium
		TA		Tantalum
Output			1	Pulse
			2	Pulse + 4-20 mA
Enclosure			65	IP65
			67	IP67
			68	IP68