

miniature turbine flowmeter FMTD



Description

The Bass Instruments Flowmeter FMTD series is designed for mesure and monitor liquids. The FMTD Flowmeter is a general-purpose device; specially for higher throughputs of up to approx.60 l/min. It is employed for measuring,regulating or metering and guarantees most precise measurement of fluid quantities.In addition,a pulse generator integrated into the flowmeter guarantees a practically unlimited useful life.

Technical Data

Wetted part material	: ABS plastic	Max.Rated Current	: 8 mA
Accuracy	: % 3 F.S.	Humidity	: 90 %
Magnets	: Ferrit	Repeatability	: Better than 0,5 %
Working temperature	: -25°C...+70°C	Electrical Connection	: with cable
Working pressure	: 10 bar max.	Viscosity	: up to 10 cSt max.
Output	: Pulse,ops.Analog	Power Supply	: 5...12 VDC
Housing	: IP68		

Applications

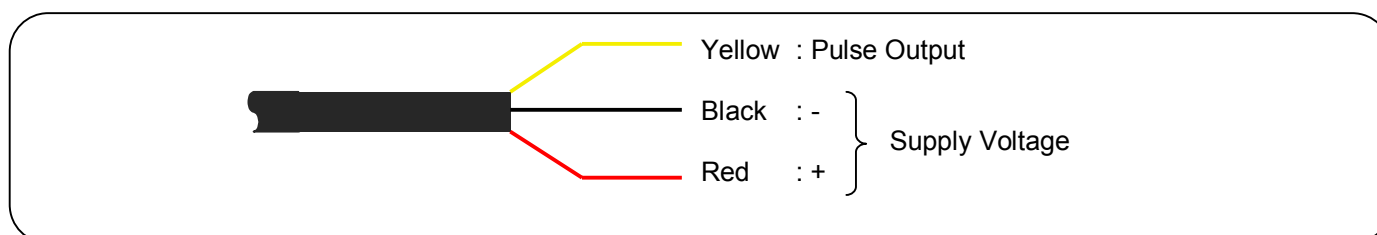
- Smart Drinking Fountains
- Water Wending Machine
- Tea and Coffee Machine
- Beverage Industry
- Other Liquid Filling Machine
- Water Purifier

Ordering Codes

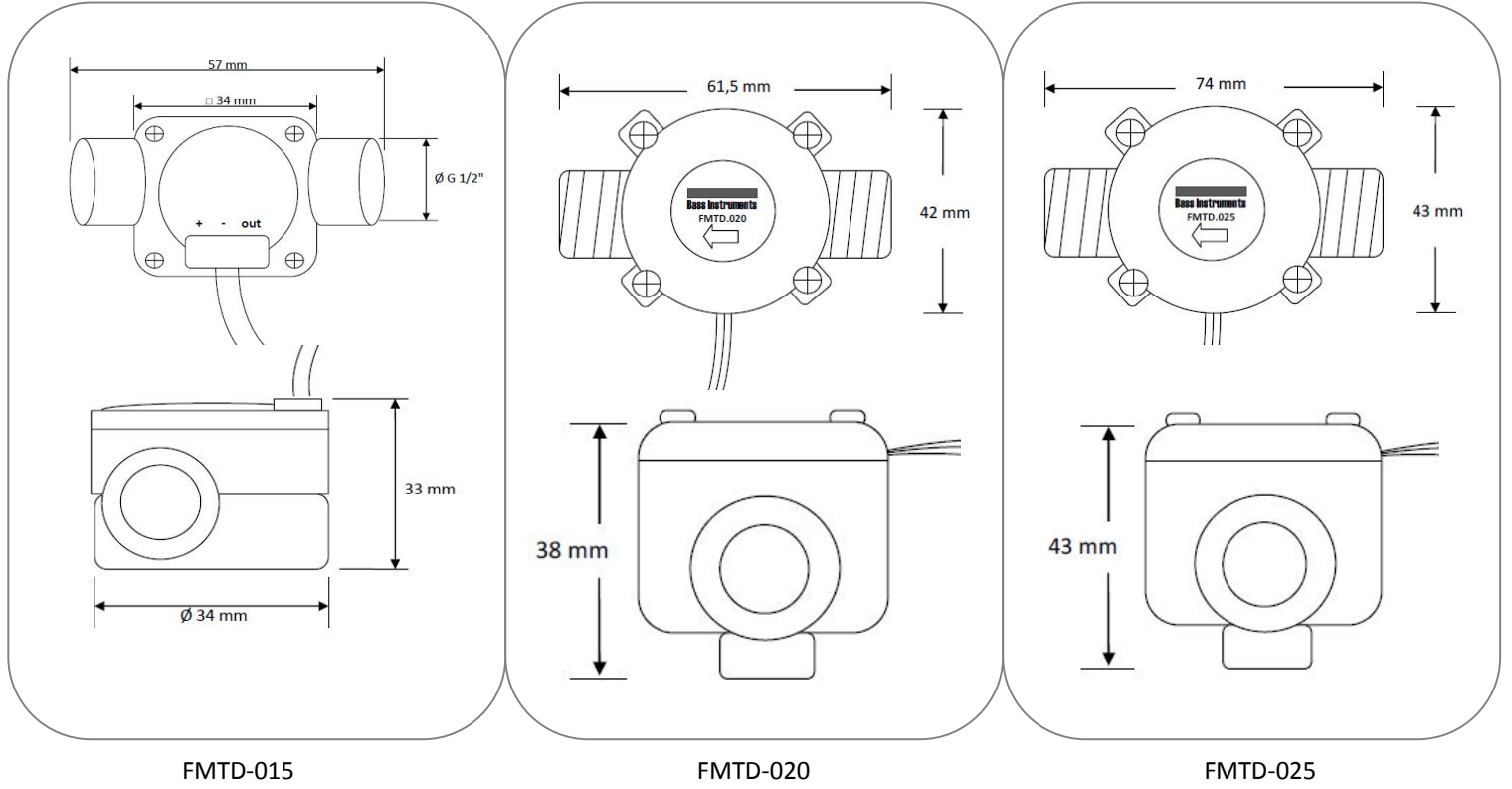
Type	Size	Range	Output	Factor
FMTD-008-01-F	8mm	0,15...3 l/min	Pulse	2500 pulse/l*
FMTD-015-01-F	1/2"	1...30 l/min	Pulse	430 pulse/l*
FMTD-020-01-F	3/4"	3...50 l/min	Pulse	270 pulse/l*
FMTD-025-01-F	1"	5...60 l/min	Pulse	270 pulse/l*

*approx.

Electrical Connection



Dimensions



Optional Controllers



Rate or Total Indicator



Rate and Total Indicator